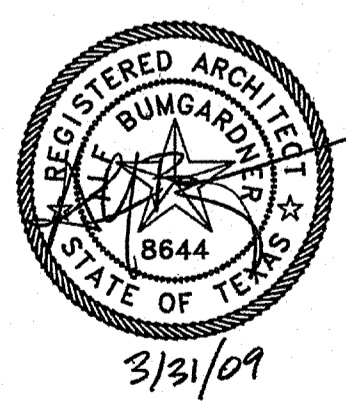


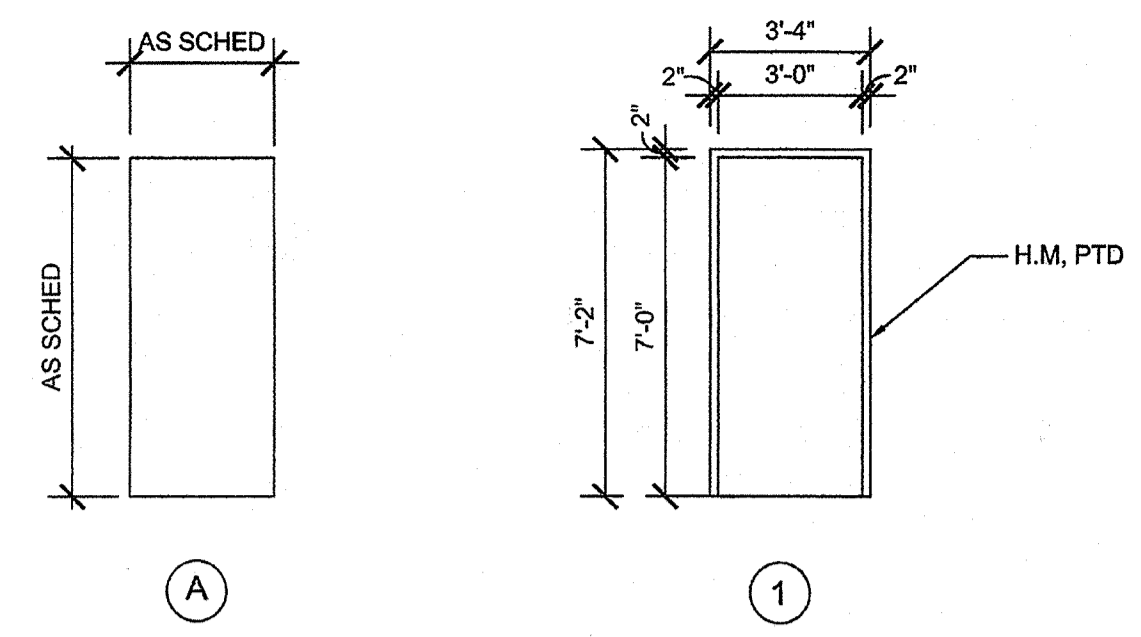


REVISIONS:

FILE: A2.10-MR0901
PROJ: MR-0901
DATE: 03-30-2009
DWG BY: JKU
CHK BY: ARB

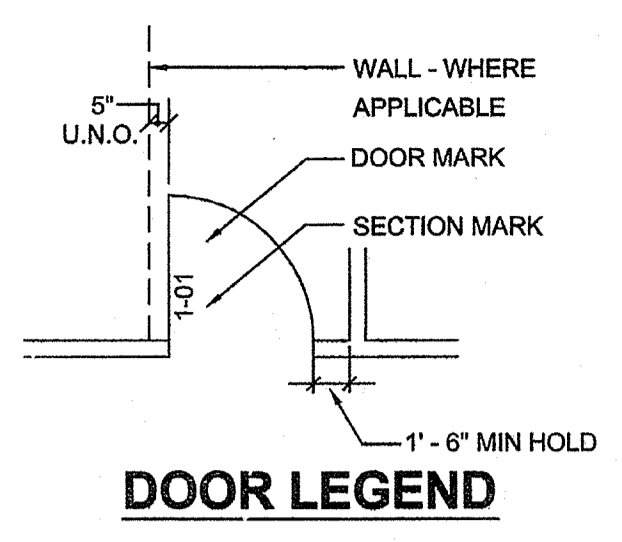


DOOR SCHEDULES, CABINET ELEVATIONS, AND WALL TYPES
SHEET 3 OF 8



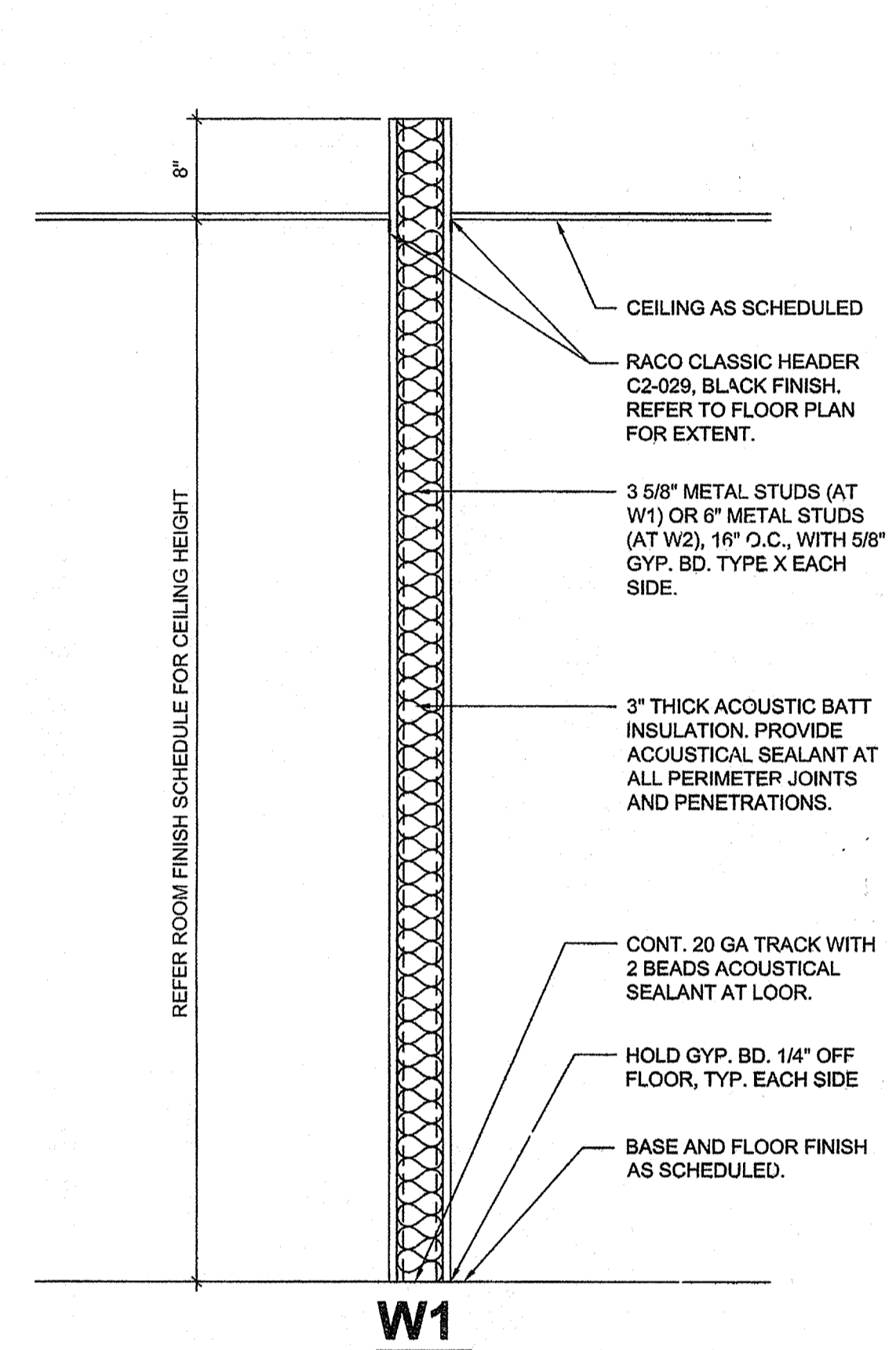
DOOR TYPE
SCALE: 1/4" = 1'-0"

FRAME TYPES
SCALE: 1/4" = 1'-0"

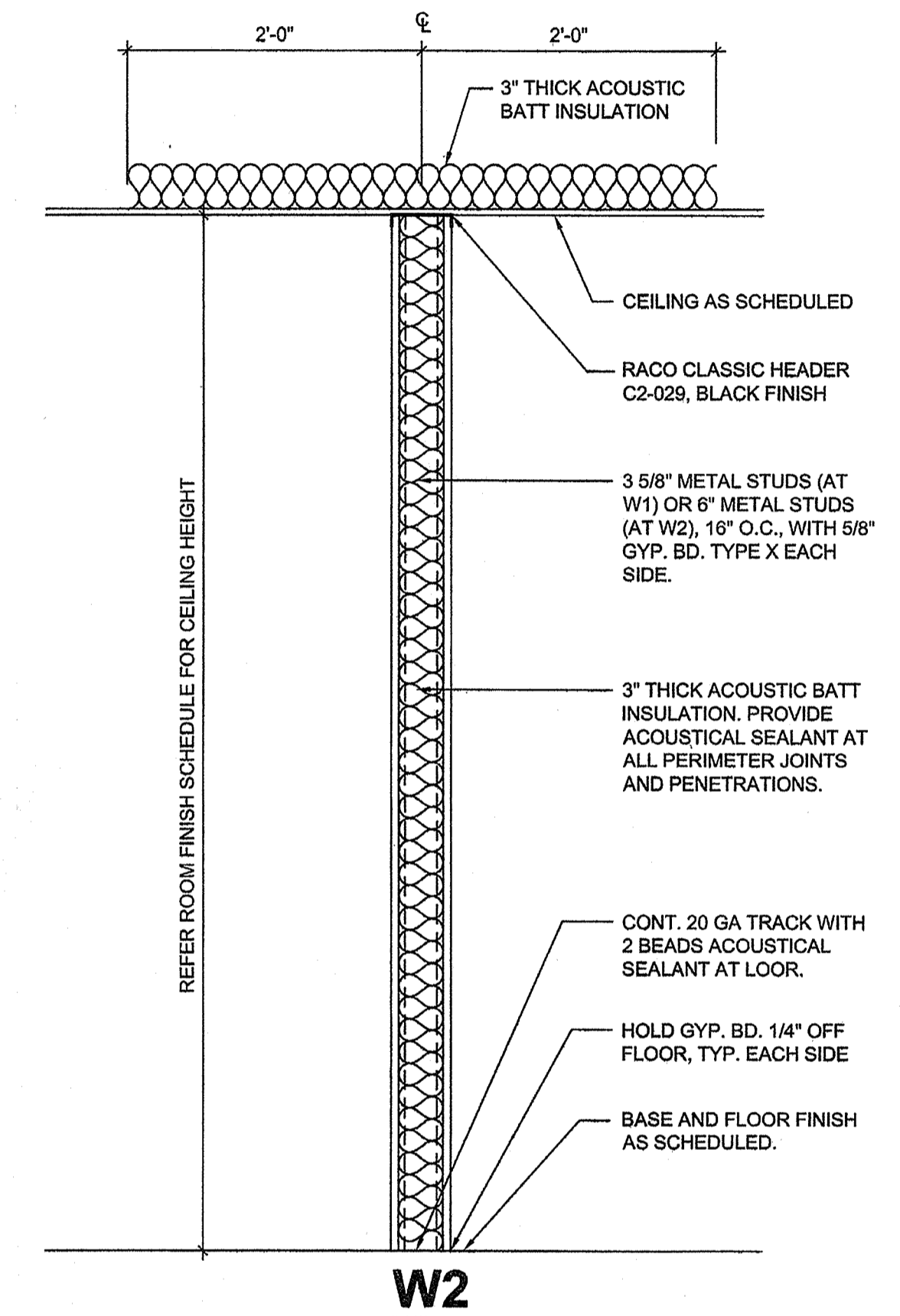


- GENERAL NOTES:**
- LOCATE DOOR MARK ON SCHEDULE. READ ACROSS FOR TYPE, GLASS, FIRE RATING, CONSTRUCTION TYPE, ETC.
 - ALL DOORS 1 3/4" THK., S.C., U.N.O.
 - TYPICAL DOOR FINISH SCHEDULE: WOOD: FACTORY FINISH, STAINED (MATCH EXISTING)
 - DOOR HARDWARE: REFERENCE PROJECT MANUAL SECTION 08700.

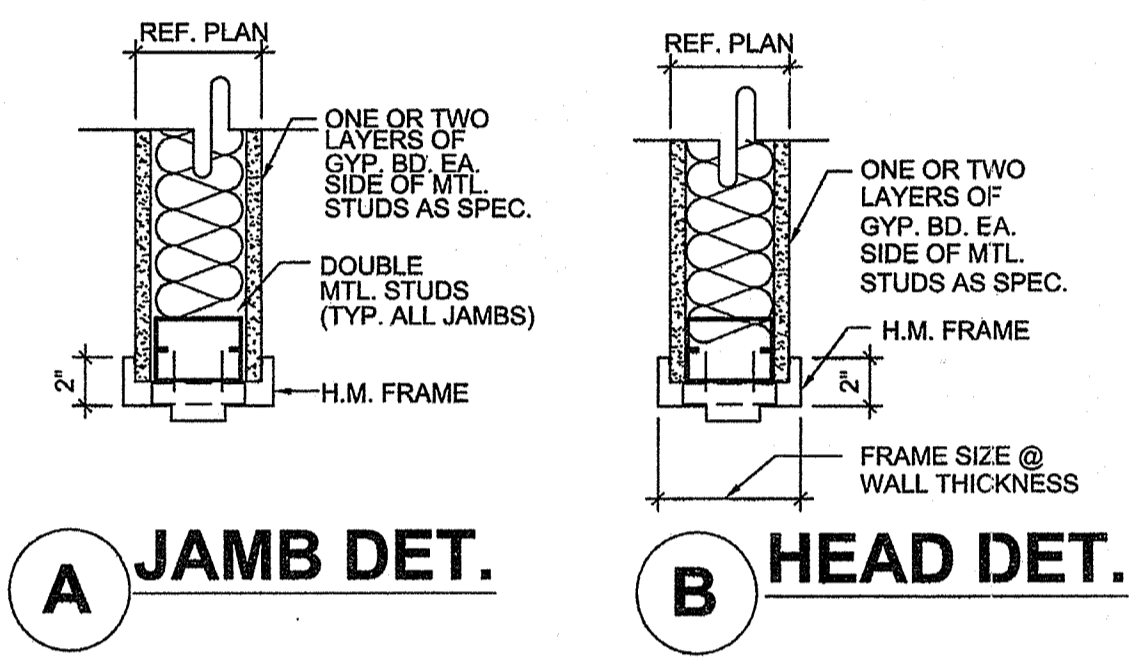
DOOR SCHEDULE													
DOOR NUMBER	DOOR					FRAME		DETAIL			FIRE RATING	HARDWARE	REMARKS
	WIDTH	HEIGHT	TYPE	GLAZING	FACING	TYPE	MATERIAL	JAMB DETAIL	HEAD DETAIL	SILL DETAIL			
1-01	-	-	EXISTING	-	EXISTING	-	EXISTING	-	-	-	-	HW-01	RE-PAINT DOOR FRAME
1-02	3'-0"	7'-0"	A	-	WOOD	1	HM	A/A2.10	B/A2.10	-	-	HW-02	
1-03	3'-0"	7'-0"	A	-	WOOD	1	HM	A/A2.10	B/A2.10	-	-	HW-02	
1-04	3'-0"	7'-0"	A	-	WOOD	1	HM	A/A2.10	B/A2.10	-	-	HW-02	
1-05	3'-0"	7'-0"	A	-	WOOD	1	HM	A/A2.10	B/A2.10	-	-	HW-02	



W1 PARTITION TYPE
NOT TO SCALE

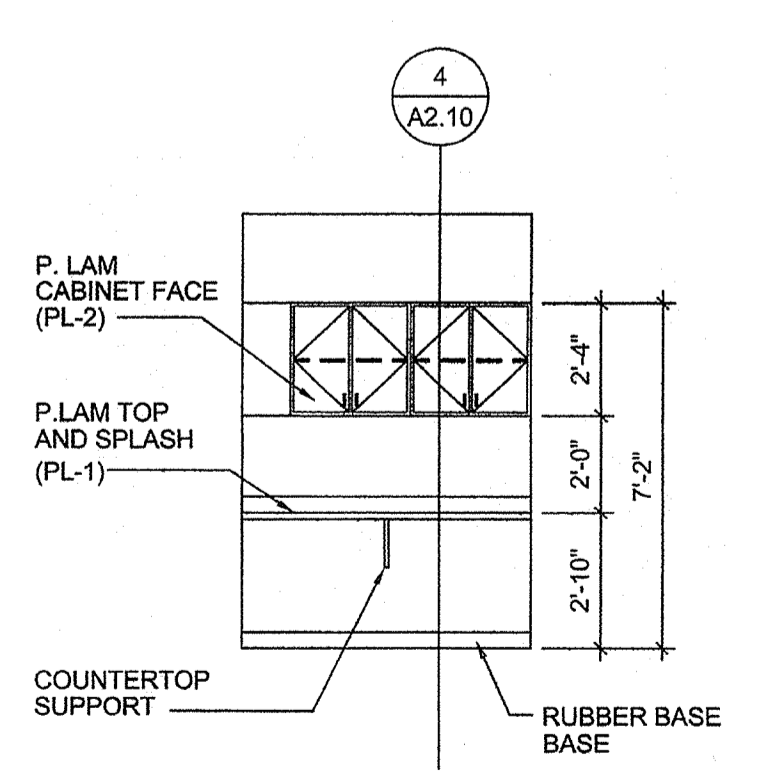


W2 PARTITION TYPE
NOT TO SCALE

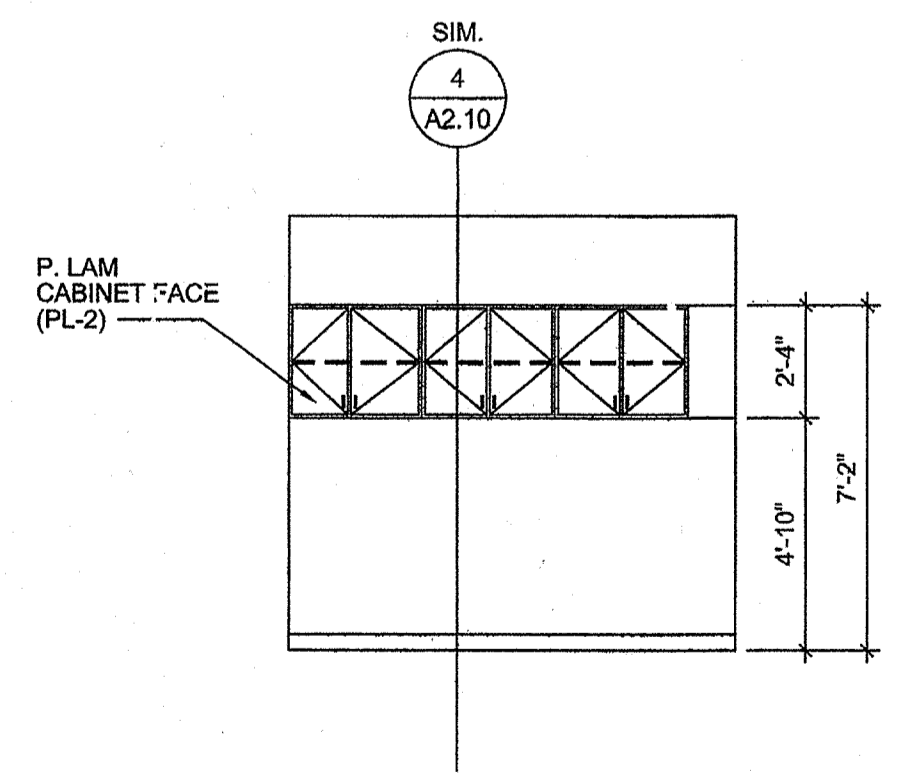


TYP. DOOR FRAME DETAILS
SCALE: 1 1/2" = 1'-0"

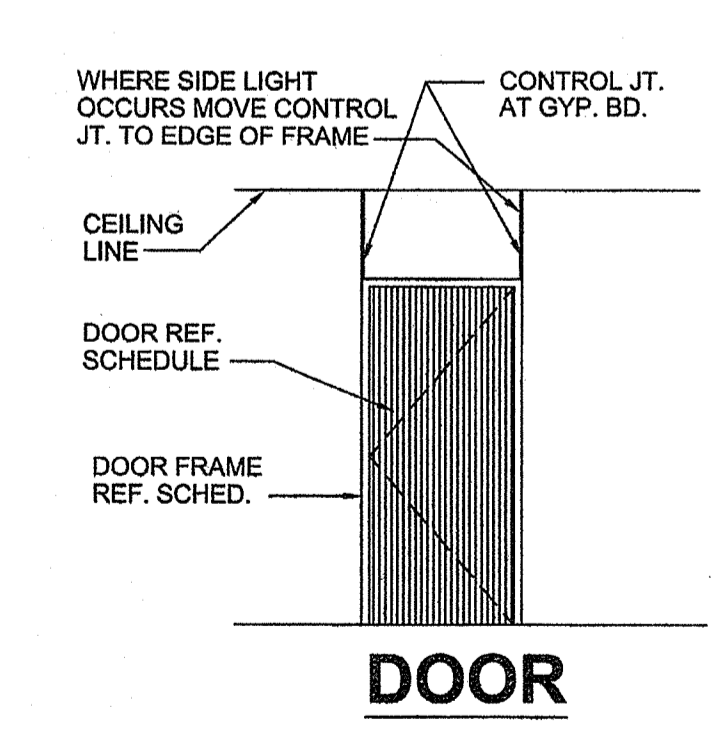
- DOOR HARDWARE SCHEDULE:**
- HW-01: SINGLE INTERIOR ENTRANCE - EXIST. DOOR
EACH TO RECEIVE:
1 EACH LOCKSET - OFFICE FUNCTION
- HW-02: SINGLE INTERIOR ENTRANCE
EACH TO RECEIVE:
3 EACH HINGE
1 EACH LOCKSET - OFFICE FUNCTION
1 EACH WALL STOP
1 SILENCER



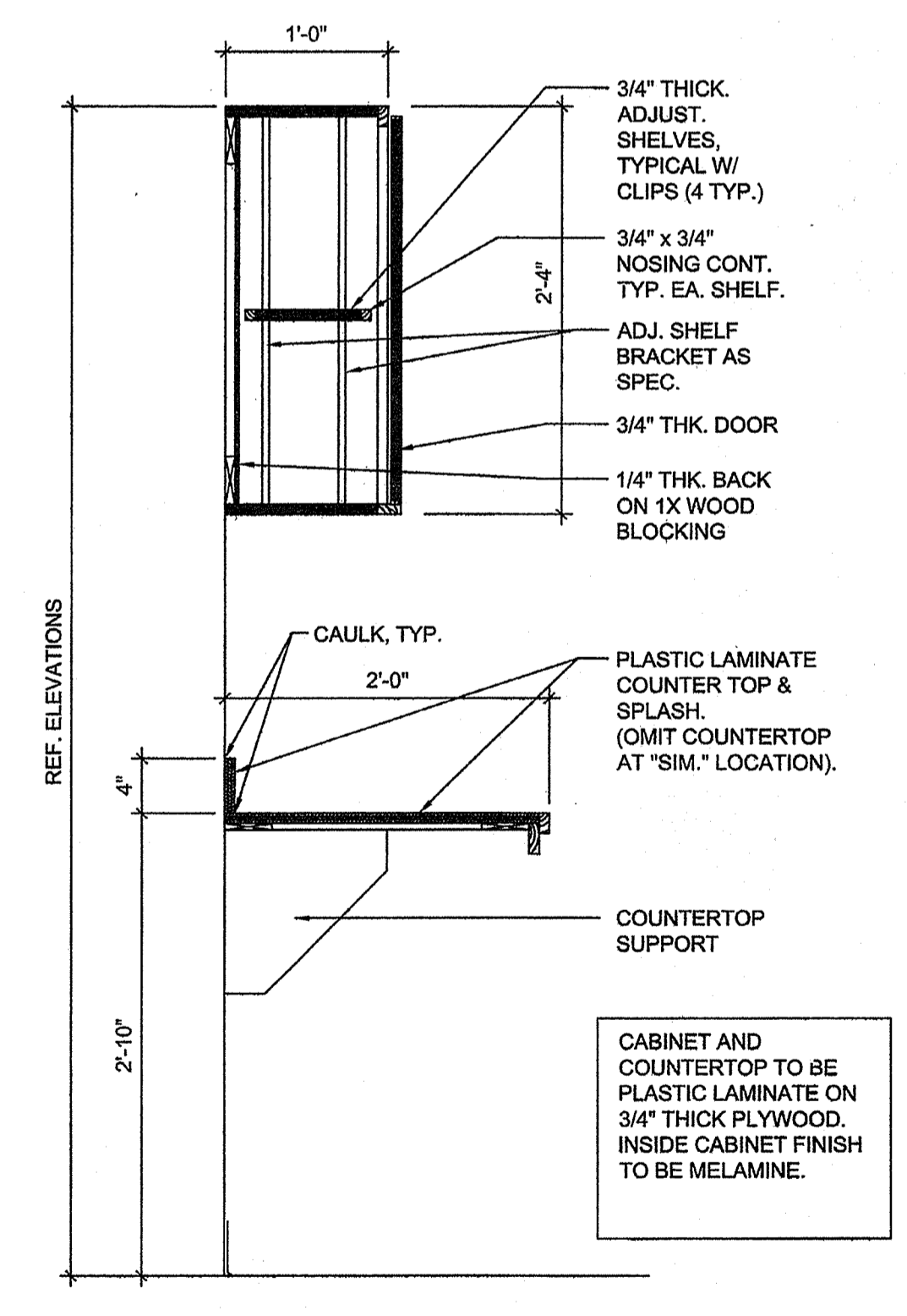
1 CAB. ELEV. - WORK ROOM 1-02
SCALE: 1/4" = 1'-0"



2 CAB. ELEV. - WORK ROOM 1-02
SCALE: 1/4" = 1'-0"



3 TYP. CONTROL JT.
SCALE: 1/4" = 1'-0"



4 CAB. SECTION
SCALE: 1" = 1'-0"