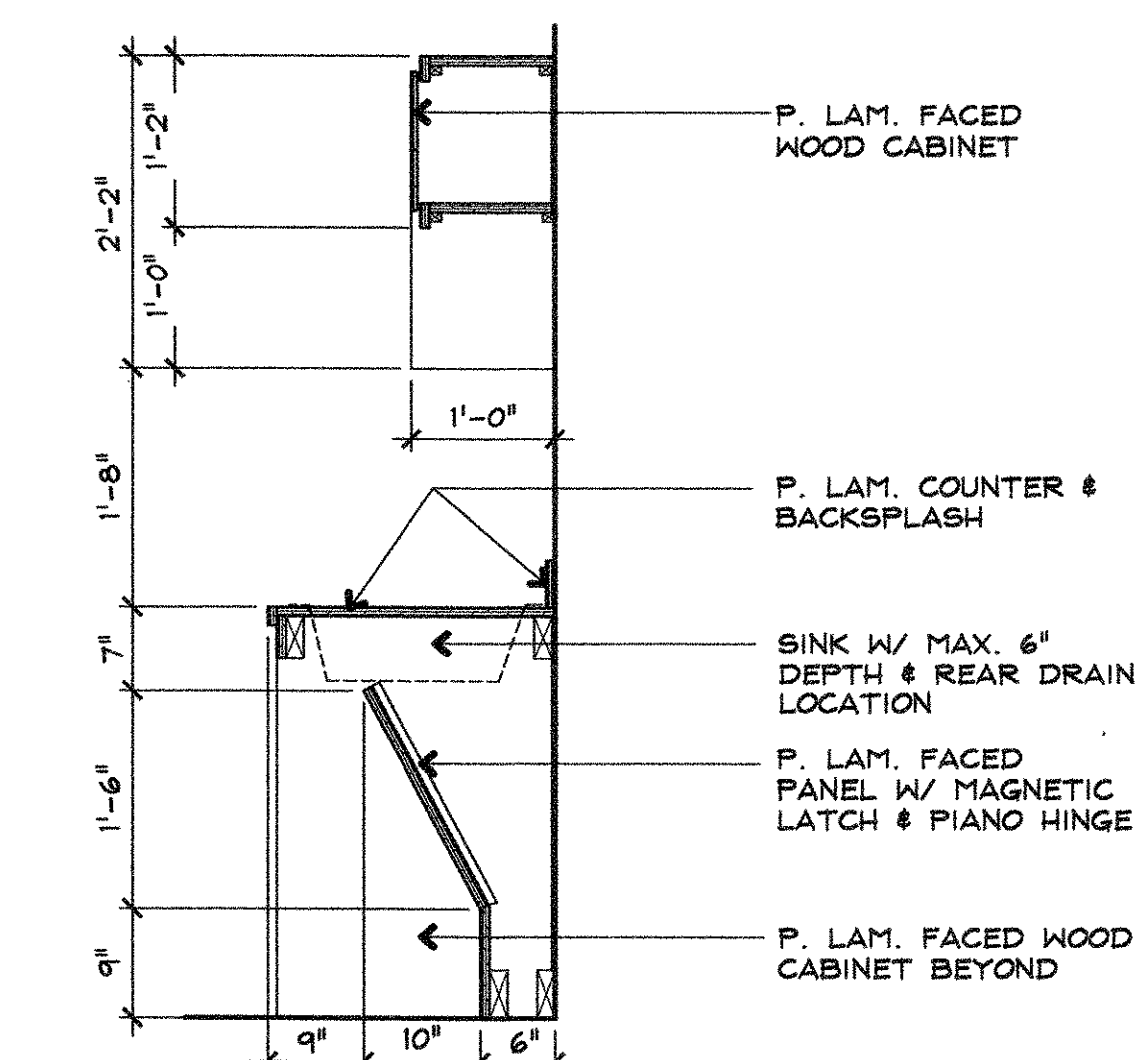
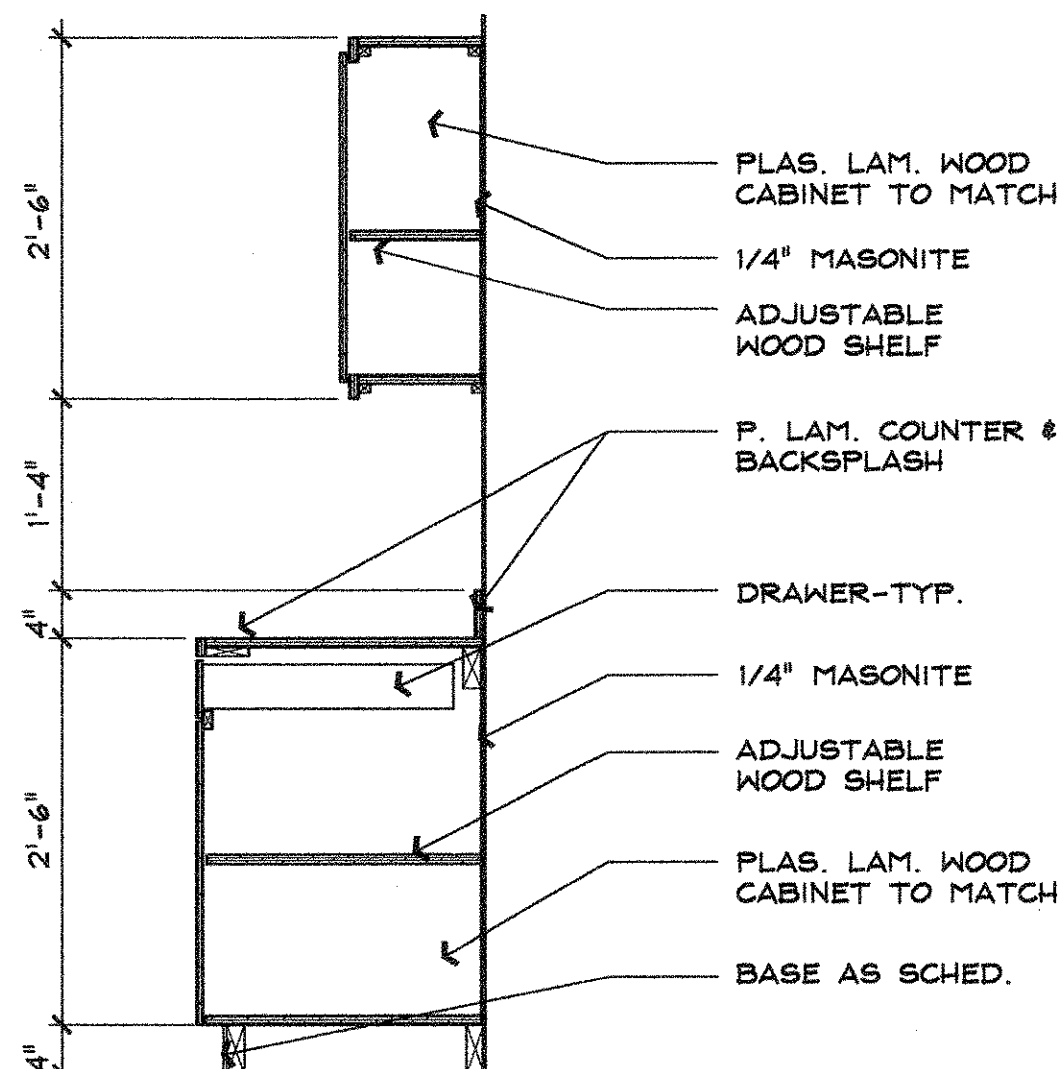


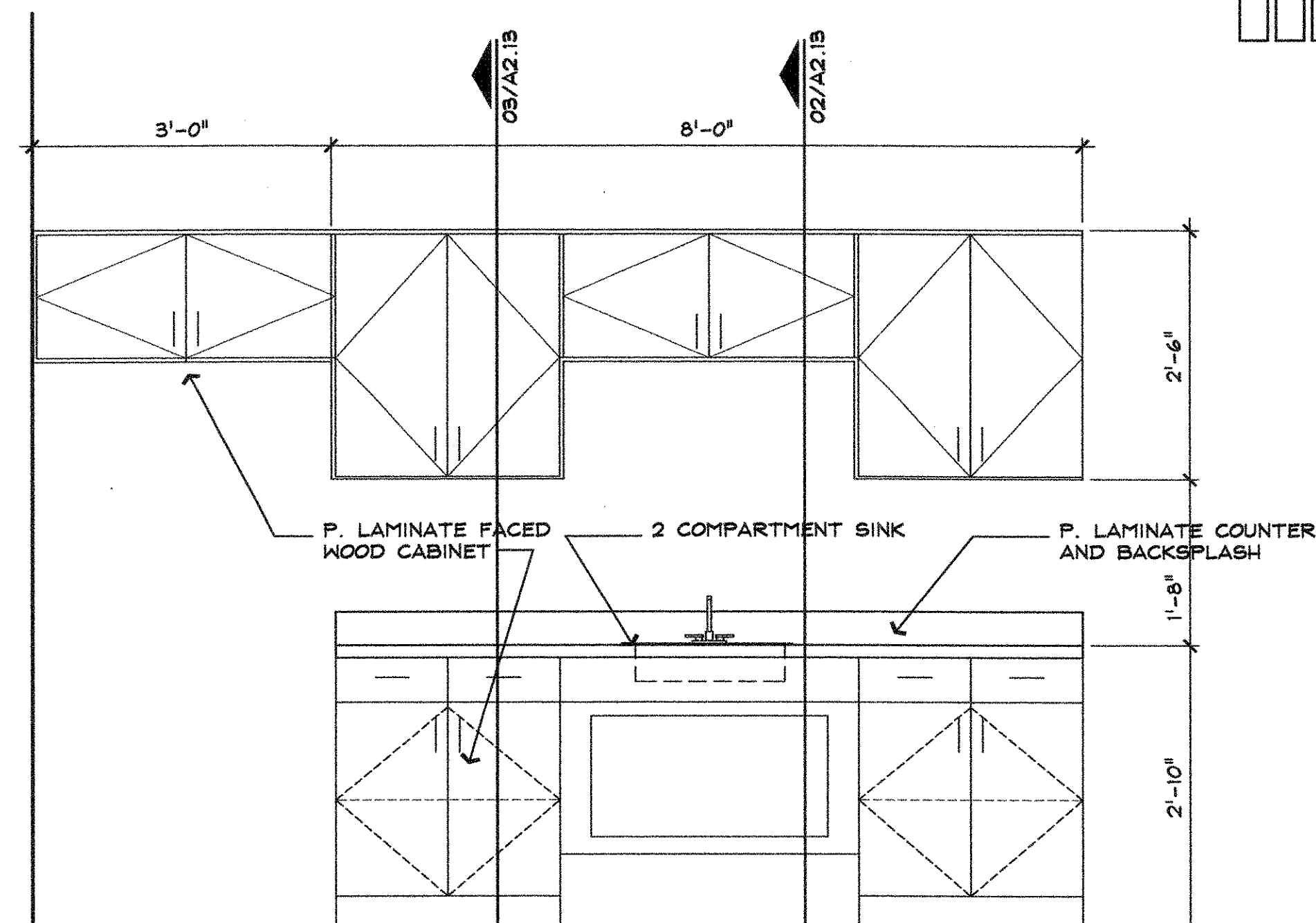
**01 ENLARGED RESTROOM**  
SCALE: 1/4" = 1'-0"



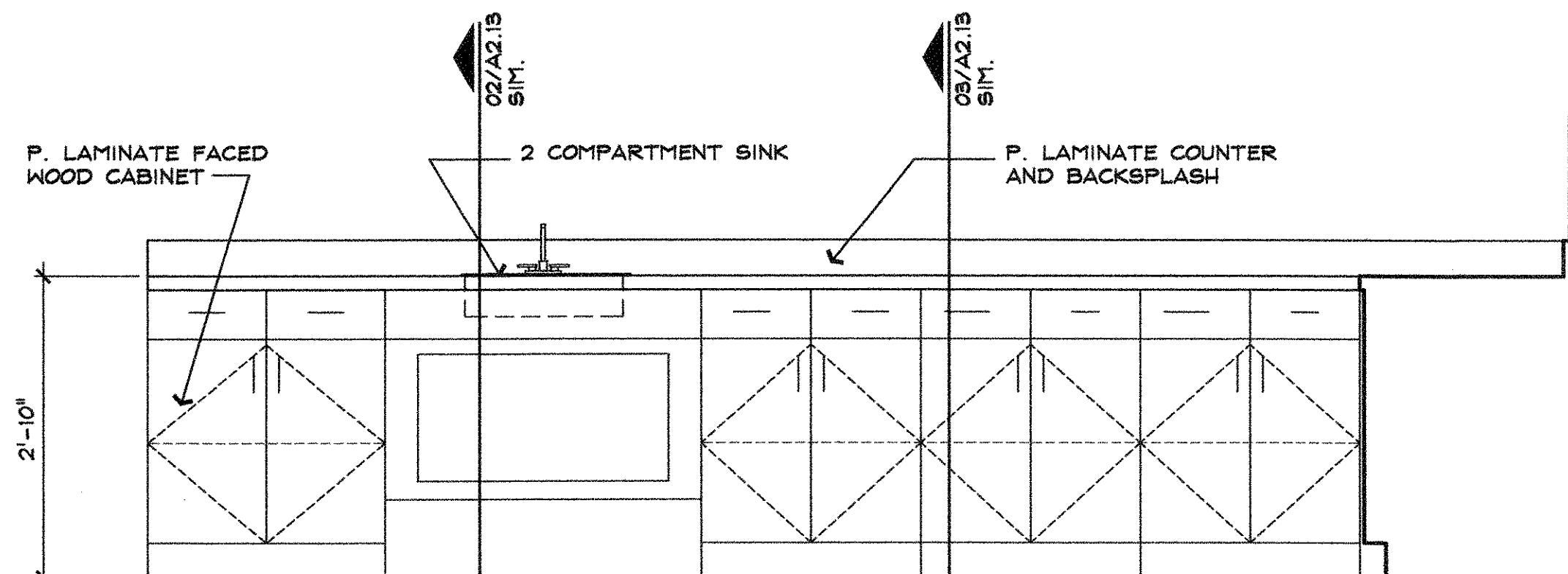
**02 CABINET SECTION**  
SCALE: 3/4" = 1'-0"



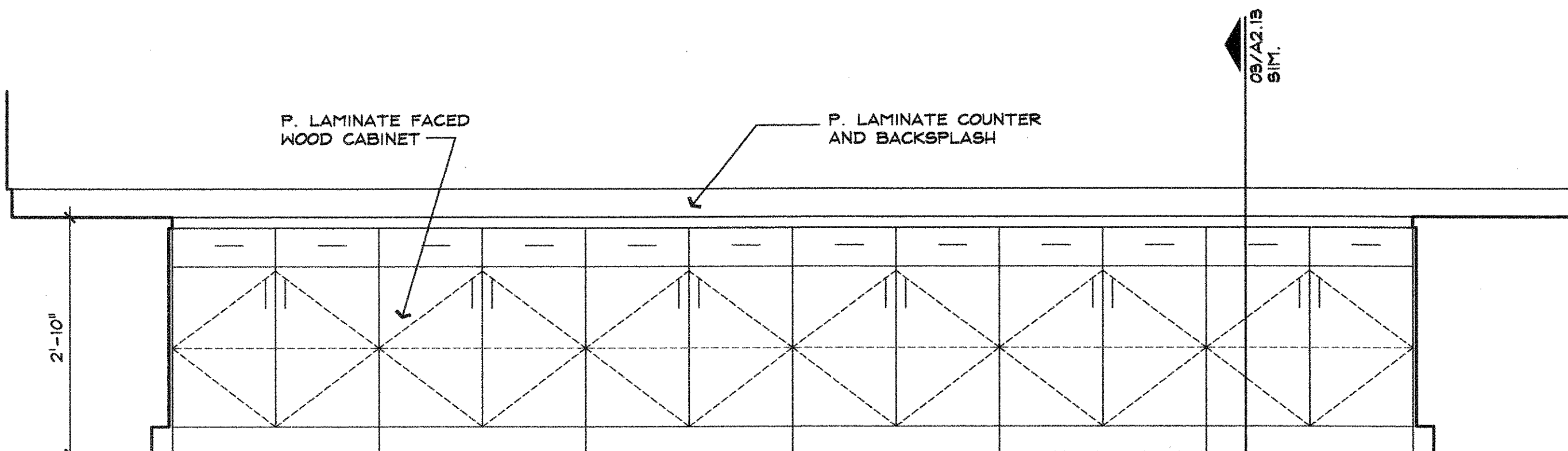
**03 CABINET SECTION**  
SCALE: 3/4" = 1'-0"



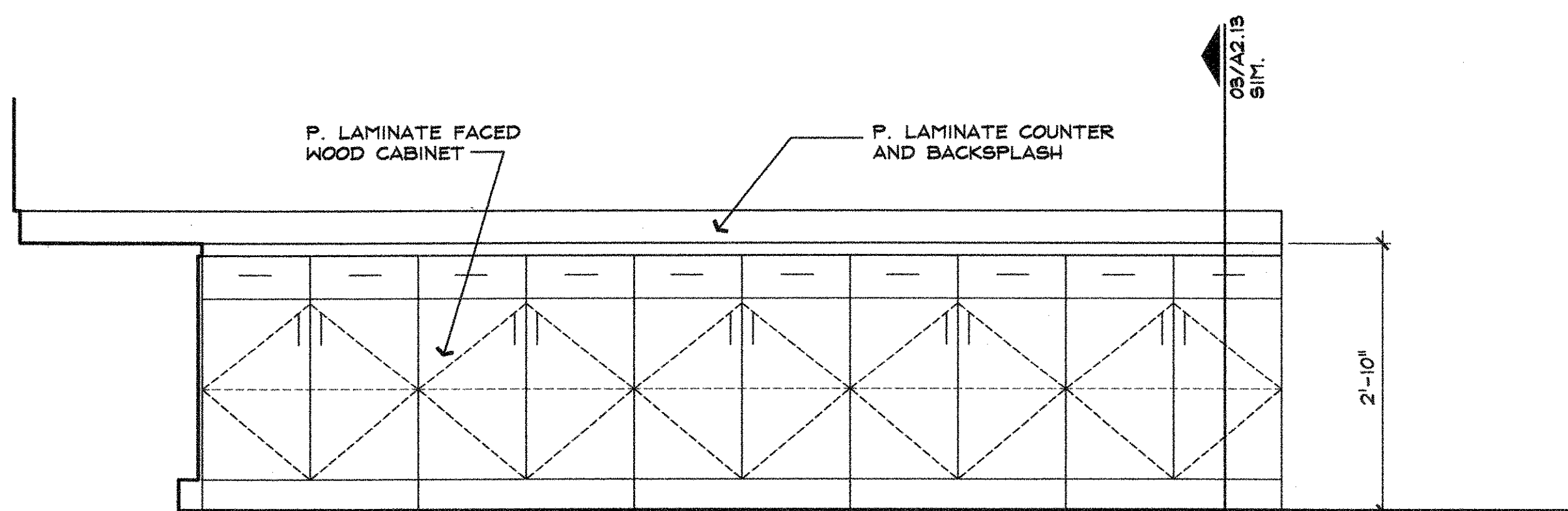
**04 CABINET ELEVATION**  
SCALE: 3/4" = 1'-0"



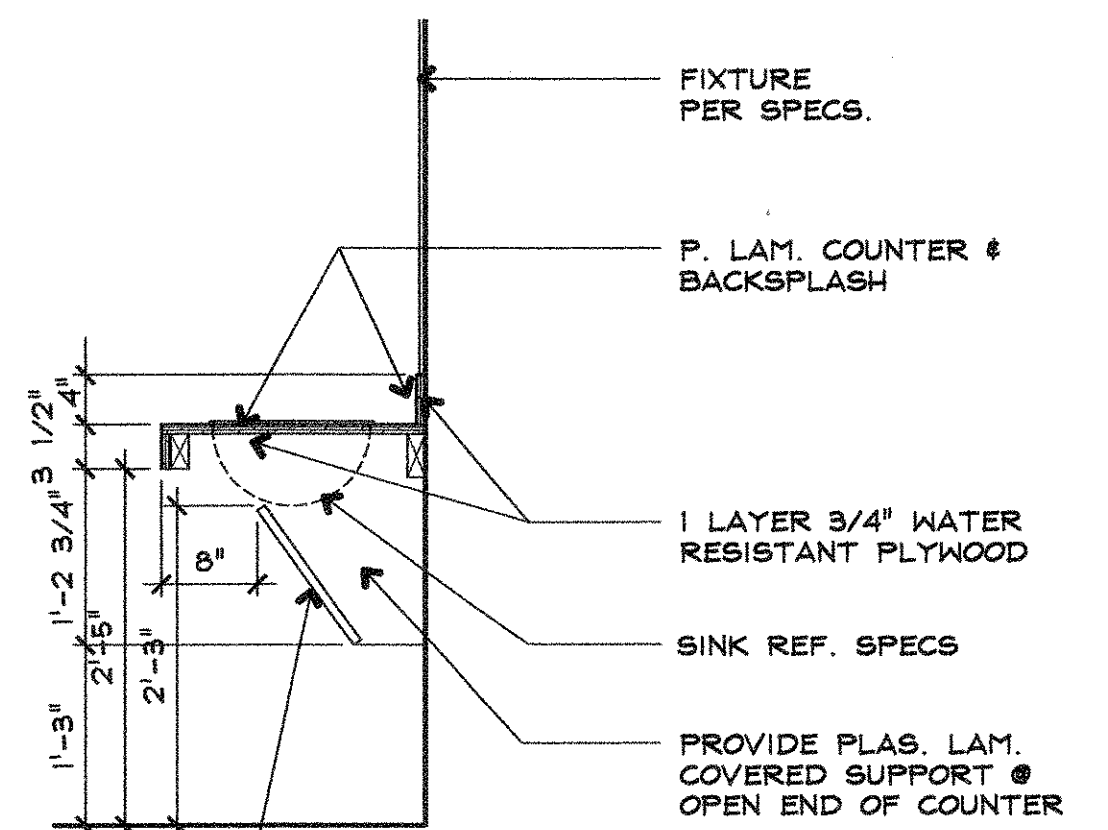
**05 CABINET ELEVATION**  
SCALE: 3/4" = 1'-0"



**06 CABINET ELEVATION**  
SCALE: 3/4" = 1'-0"



**07 CABINET ELEVATION**  
SCALE: 3/4" = 1'-0"



**08 COUNTER SECTION**  
SCALE: 3/4" = 1'-0"

**THARCO IMPROVEMENTS**  
**VAL WOOD DISTRIBUTION CENTER #7**  
FARMERS BRANCH, TEXAS  
13760 DIPLOMAT

This drawing has been reviewed and approved by Landlord and Customer as indicated by signatures below. All changes made by customer after date of signature are at Customer's expense.

Landlord \_\_\_\_\_ Date \_\_\_\_\_

Customer \_\_\_\_\_ Date \_\_\_\_\_

PROJECT NO. XX-XXX

SHEET TITLE:

DRAWN BY: \_\_\_\_\_ CHECKED BY: \_\_\_\_\_



2310 LBJ Freeway, Suite 200  
Dallas, Texas 75234  
Phone: 972-884-9292  
Fax: 972-488-9848

