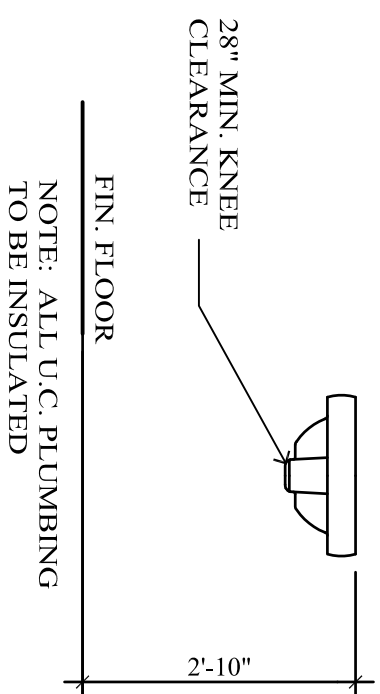
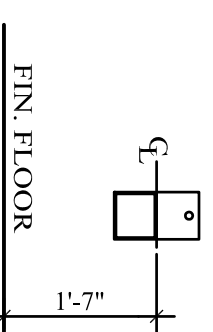


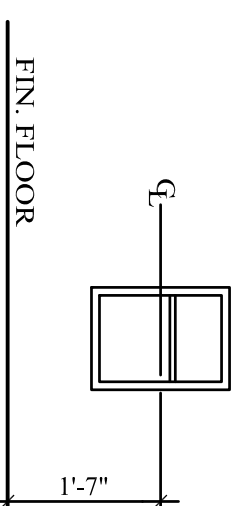
**01 TYP. TOILET**  
I2=1-10P



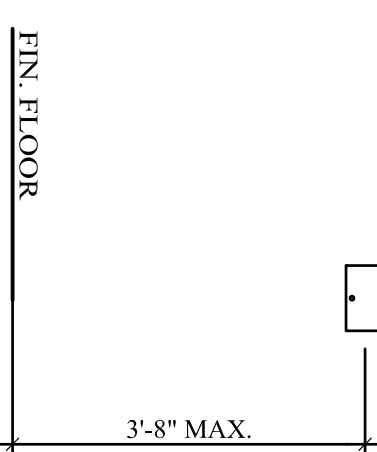
**02 LAVATORY**  
I2=1-10P



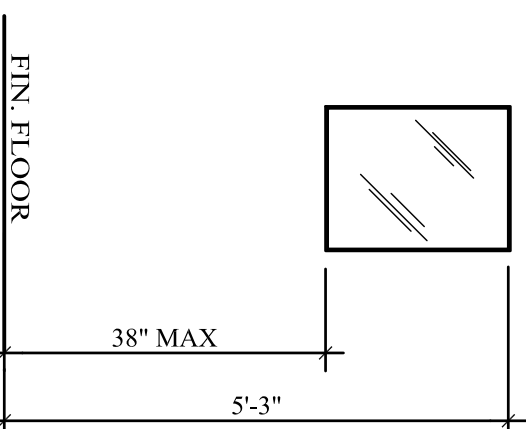
**03 T. PAPER DISP.**  
I2=1-10P



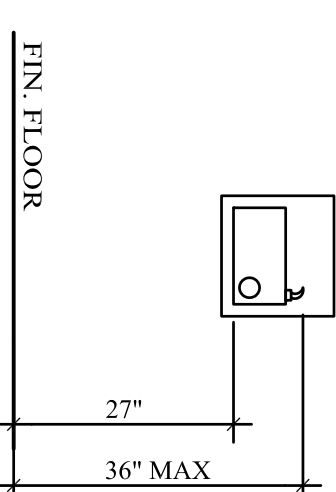
**04 TAMPON DISPOSAL**  
I2=1-10P



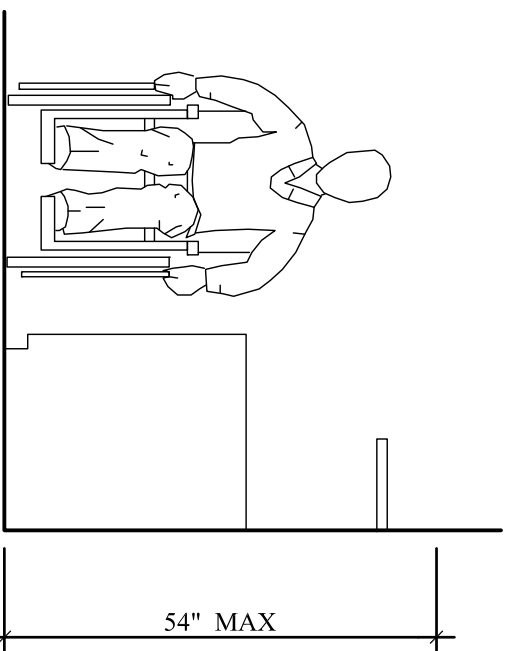
**05 SOAP DISPENSER**  
I2=1-10P



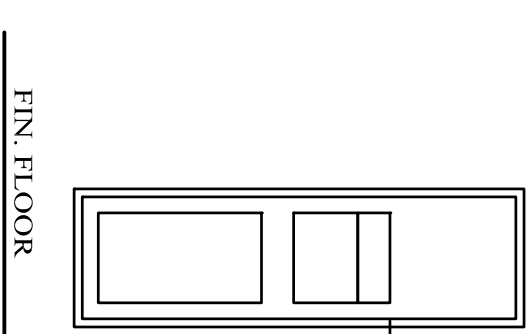
**06 MIRROR**  
I2=1-10P



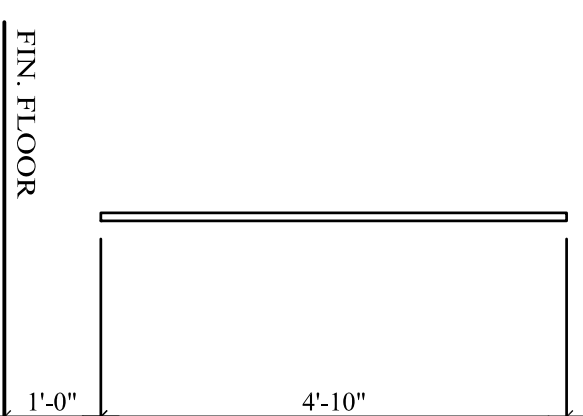
**07 DRINKING FOUNTAIN**  
I2=1-10P



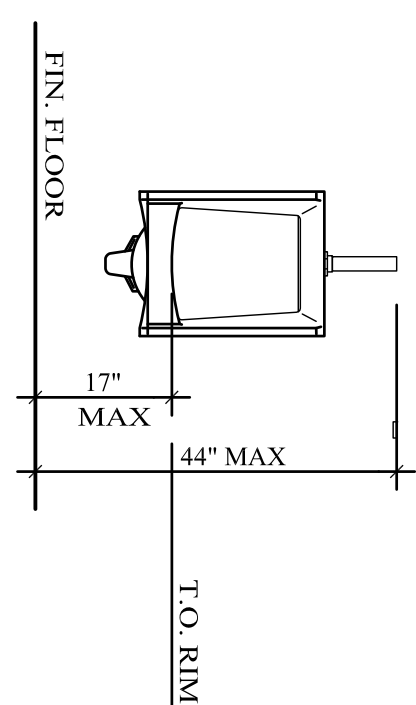
**08 ADA COMPLIANCE**  
N.T.S.



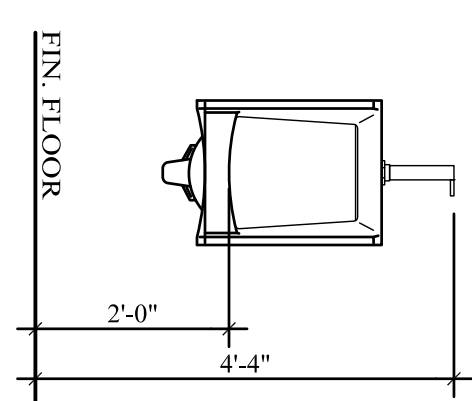
**09 TOWEL DISP/WASTE**  
I2=1-10P



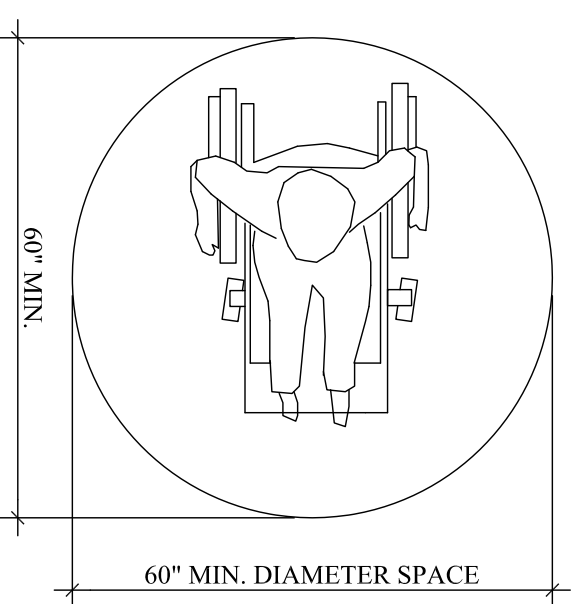
**10 TOILET PARTITION**  
I2=1-10P



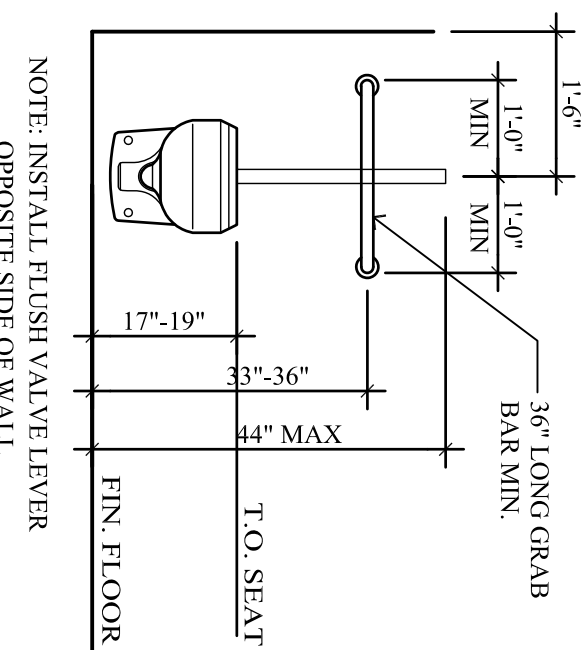
**11 ADA URINAL HEIGHT**  
I2=1-10P



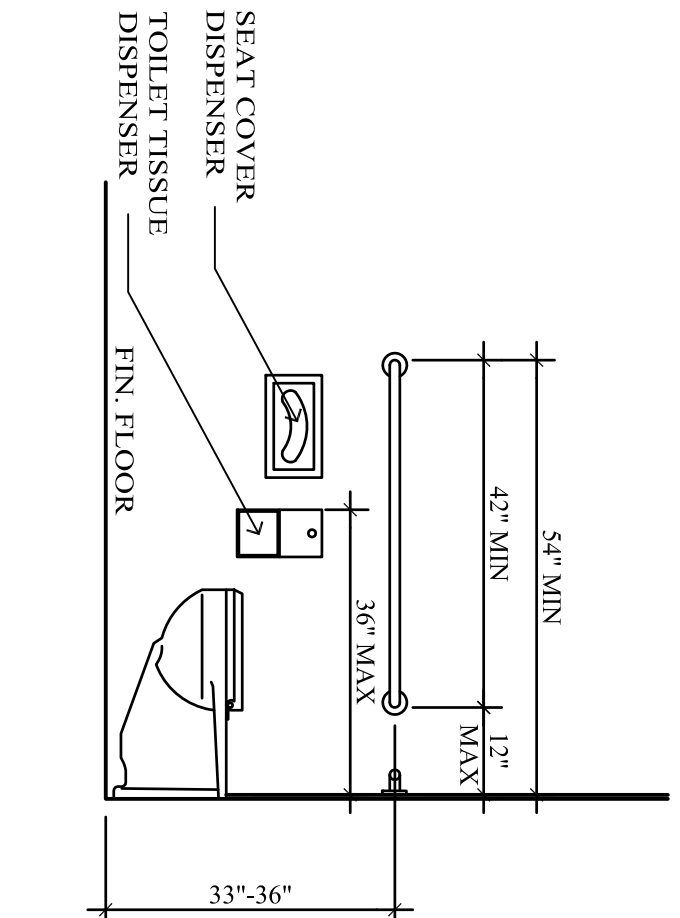
**12 TYP. URINAL**  
I2=1-10P



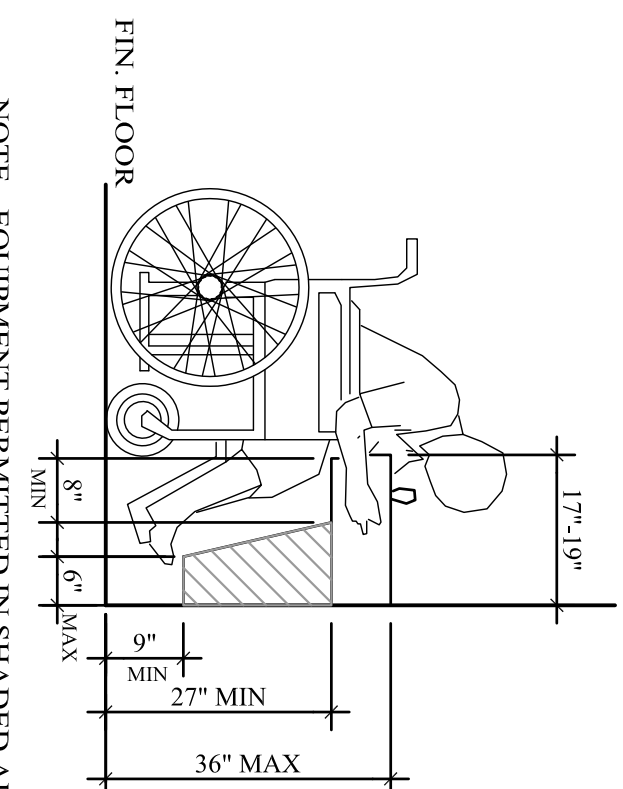
**13 ADA COMPLIANCE**  
N.T.S.



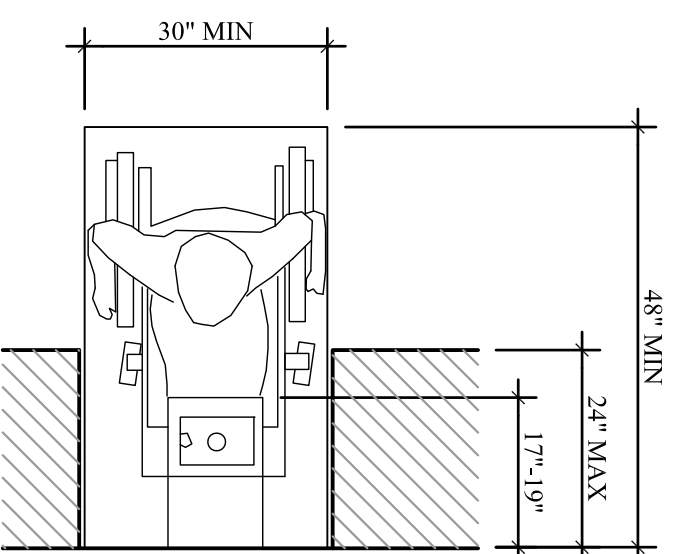
**14 MOUNTING HEIGHTS**  
I2=1-10P



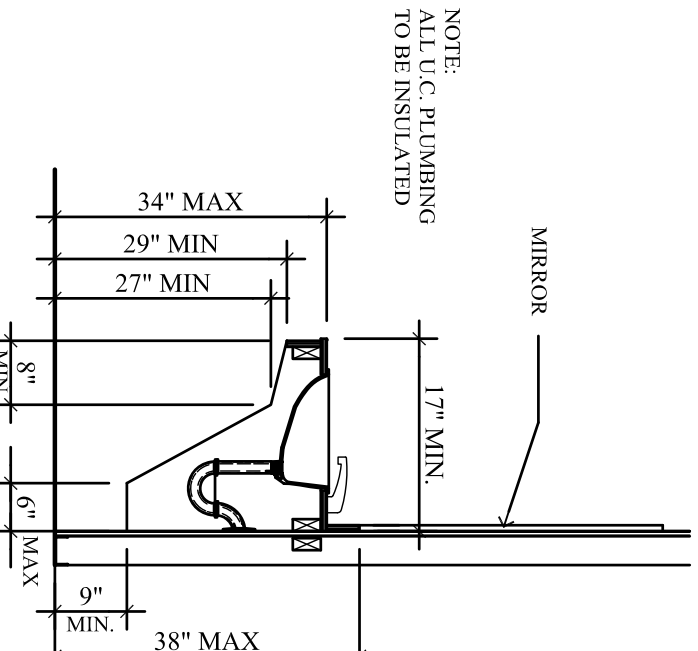
**15 ELEVATION**  
I2=1-10P



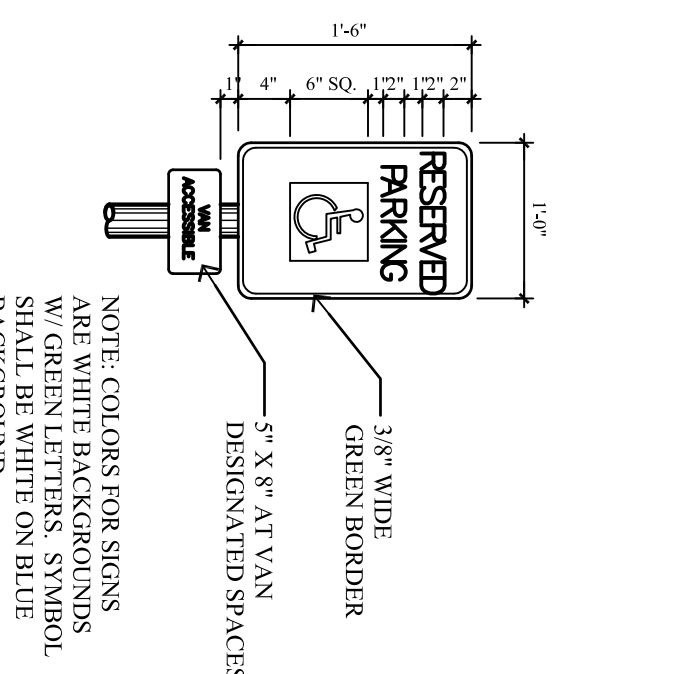
**16 ADA COMPLIANCE**  
I2=1-10P



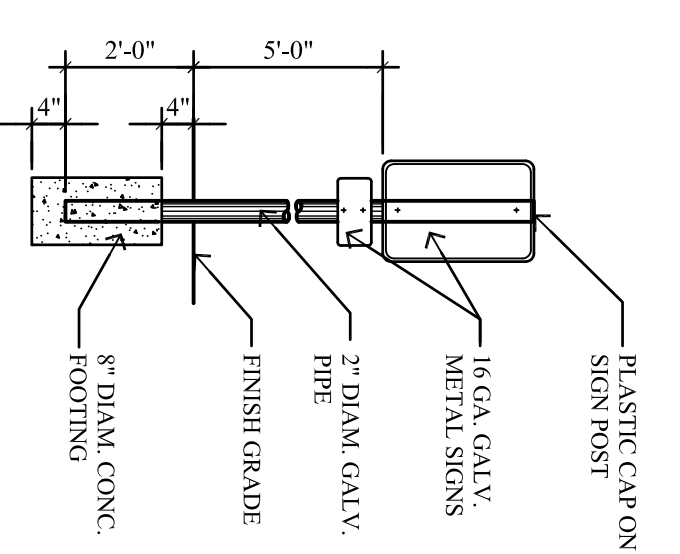
**17 ADA COMPLIANCE**  
I2=1-10P



**18 LAV. CLEARANCE**  
I2=1-10P



**19 SIGNAGE**  
N.T.S.



**20 CURB RAMP**  
N.T.S.

**4.303 Signage.**  
4.303.1\* General Signage required to be accessible by 4.1 shall comply with applicable provisions of 4.30 and numbers on signs shall have a width-to-height ratio between .35 and .11 and a stroke-width-to-height ratio between .15 and .10 using an upper-case 'X' for measurement. Lower case letters are permitted.  
4.303.2 Overhead Signs. Characters and numbers on overhead signs shall be sized according to the viewing distance from which they are to be read. The minimum height is measured using an upper case X. Lower case characters are permitted.  
Table: Height Above Finished Floor/Minimum Character Height (mm)/minimum

4.303.4\* Raised and Brailled Characters and Pictorial Symbol Signs (Pictograms). Letters and numerals shall be raised 1/32 in. upper case, sans serif or simple serif type and shall be accompanied with Grade 2 Braille. Raised characters shall be at least 5/8 in (16 mm) high, but no higher than 2 in (50 mm). Pictograms shall be accompanied by the equivalent verbal description placed directly below the pictogram. The height dimension of the pictogram shall be 6 in (152 mm) minimum in height.  
4.303.5\* Finish and Contrast. The characters and background of signs shall be eggshell, matte, or other non-gloss finish. Characters and symbols shall contrast with their background -- either light characters on a dark background or dark characters on a light background.  
4.303.6 Mounting Location and Height. Where permanent identification is provided for rooms and spaces, signs shall be mounted on the wall adjacent to the latch side of the door. Where there is no wall space to adjacent to the door, signs shall be mounted on the wall. Signs shall be placed on the nearest adjacent wall. Mounting height shall be 60 in (1525 mm) above the finish floor to the centerline of the sign. Mounting location for such signage shall be so that a person may approach within 3 in (76 mm) of signage without encountering protruding objects or standing within the swing of a door.  
4.303.7\* Symbols of Accessibility.

(1) Facilities and elements required to be identified as accessible by 4.1 shall use the international symbol of accessibility.  
(2) Signs shall have a volume control by 4.1.3(17)(b) shall be identified by a sign containing a depiction of a telephone handset with radiating sound waves.  
(3) Text Telephones. Text telephones required by 4.1.3(17)(c) shall be identified by the international TDD symbol. In addition, if a facility has a public text telephone, directional signage shall be placed indicating the location of the nearest text telephone shall be placed adjacent to all banks of telephones which do not contain a text telephone. Such directional signage shall include the international telephone symbol and the text 'Text Telephone'. Directional signage shall be provided at the entrance (e.g., in a building directory).  
(4) Assistive Listening Systems. In assembly areas where permanently installed assistive listening systems are required by 4.1.3(19)(b) the availability of such systems shall be identified with signage that includes the international symbol of access for hearing loss

4.281 General Alarm systems required to be accessible by 4.1 shall comply with applicable provisions of 4.28 and numbers on signs shall have a width-to-height ratio between .35 and .11 and a stroke-width-to-height ratio between .15 and .10 using an upper-case 'X' for measurement. Lower case letters are permitted.  
4.282.2 Audible Alarms. If provided, audible emergency alarms shall produce a sound that exceeds the prevailing equivalent sound level in the room or space by at least 15 dba or exceeds any maximum sound level with a duration of 60 seconds by 5 dba, whichever is louder. Sound levels for alarm signals shall not exceed 150 dba.  
4.282.3 Visual Alarms. Visual alarm signals shall be interpreted into the building or facility alarm system. If single station audible alarms are provided then single station visual alarm signals shall be provided. Visual alarm signals shall have the following minimum photometric and location features:  
(1) The lamp shall be a xenon strobe type or equivalent.  
(2) The color shall be clear or nominal white (ie, unfiltered or clear, filtered white light).  
(3) The maximum pulse duration shall be two-tenths of one second (0.2 seconds).  
(4) The minimum interval between initial and final pulses of 10 percent of maximum signal.  
(5) The intensity shall be a minimum of 75 Candela.  
(6) The flash rate shall be a minimum of 1 Hz and a maximum of 3 Hz.  
(7) The appliance shall be placed 80 in (2030 mm) above the highest floor level within the space or 6 in (152 mm) below the ceiling, whichever is lower.  
(8) In general, no place in any room or space required to have a visual alarm shall be obscured by any object.  
(9) In general, no place in any room or space required to have a visual alarm shall be obscured by any object.

4.282.4 Visual Alarms. Units and sleeping accommodations shall have a visual alarm connected to the building emergency alarm system or shall have a standard 110-volt electrical receptacle into which such an alarm can be connected and a means by which a signal from the building emergency alarm system can trigger such an auxiliary alarm. When visual alarms are in place the signal shall be visible in all areas of the unit or room. Instructions for use of the auxiliary alarm or receptacle shall be provided.  
Return to HAS Table of Contents  
4.29 Detectable Warnings.

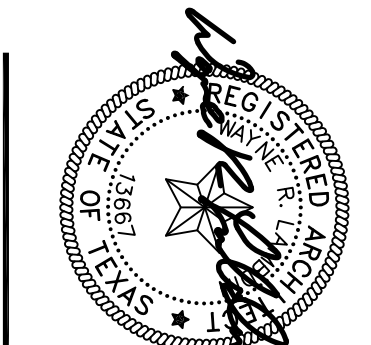
4.29.1 General. Detectable warnings required by 4.1 and 4.7 shall comply with 4.29.  
4.29.2 Detectable Warnings on Walking Surfaces. Detectable warnings shall consist of raised truncated domes with a diameter of nominal 0.9 in (23 mm), a height of nominal 0.2 in (5 mm) and a center-to-center spacing of nominal 2.35 in (60 mm), and shall contrast visually with adjoining surfaces, either light-on-dark, or dark-on-light. Detectable warnings shall be placed on the walking surface. Detectable warnings used on interior surfaces shall differ from adjoining walking surfaces in resiliency or sound-on-cone contact.

4.6.4\* Signage. Each accessible parking space shall be designated as reserved by a vertically mounted or suspended sign showing the symbol of accessibility (see 4.30.7). Spaces complying with 4.1.2(5)(k) shall have an additional sign "Van-Accessible" mounted below the symbol of accessibility.  
(1) Characters and symbols on such signs shall be located 60" (1525 mm) minimum above the ground, floor, or paving surface so they cannot be obscured by a vehicle parked in the space.  
(2) Signs located within an accessible route shall comply with 4.4.2.  
(3) Characters and symbols on overhead signs shall comply with 4.30.3.

4.6.5\* Signage. Each accessible parking space shall be designated as reserved by a vertically mounted or suspended sign showing the symbol of accessibility (see 4.30.7). Spaces complying with 4.1.2(5)(k) shall have an additional sign "Van-Accessible" mounted below the symbol of accessibility.  
(1) Characters and symbols on such signs shall be located 60" (1525 mm) minimum above the ground, floor, or paving surface so they cannot be obscured by a vehicle parked in the space.  
(2) Signs located within an accessible route shall comply with 4.4.2.  
(3) Characters and symbols on overhead signs shall comply with 4.30.3.

4.6.6\* Signage. Each accessible parking space shall be designated as reserved by a vertically mounted or suspended sign showing the symbol of accessibility (see 4.30.7). Spaces complying with 4.1.2(5)(k) shall have an additional sign "Van-Accessible" mounted below the symbol of accessibility.  
(1) Characters and symbols on such signs shall be located 60" (1525 mm) minimum above the ground, floor, or paving surface so they cannot be obscured by a vehicle parked in the space.  
(2) Signs located within an accessible route shall comply with 4.4.2.  
(3) Characters and symbols on overhead signs shall comply with 4.30.3.

TEXAS ACCESSIBILITY STANDARDS  
THESE PLANS AND ALL RELATED DOCUMENTS SHALL BE SUBMITTED TO A STATE APPROVED INDEPENDENT CONTRACTOR PROVIDER (ICP) FOR PLAN REVIEW AND FINAL INSPECTION SERVICES AS PROVIDED BY SECTION 5.05 OF THE ARCHITECTURAL BARRIERS ACT, ARTICLE 9102, TEXAS CIVIL STATUTES AND IN ACCORDANCE WITH RULE 68.66 PERTAINING TO THE CONTRACT PROVIDER PROGRAM INCLUDED IN THESE DOCUMENTS IS AN APPLICATION FORM AND GENERAL CRITERIA FOR SUBMISSION. A COPY OF THE TEXAS ACCESSIBILITY STANDARDS MAY BE OBTAINED FROM  
OFFICES OF THE SECRETARY OF STATE  
TEXAS REGISTER DIVISION  
P.O. BOX 13824  
AUSTIN, TEXAS 78711-3824



SKYLINE DFW  
EXHIBITS AND GRAPHICS  
1100 AVENUE S SUITE 900  
GRAND PRAIRIE, TEXAS 75050

LAMBDA ARCHITECTS  
ARCHITECTURAL PLANNING AND DESIGN  
8000 CAMINO DR.  
N. RICHLAND HILLS, TEXAS 76180  
(817) 691-6621