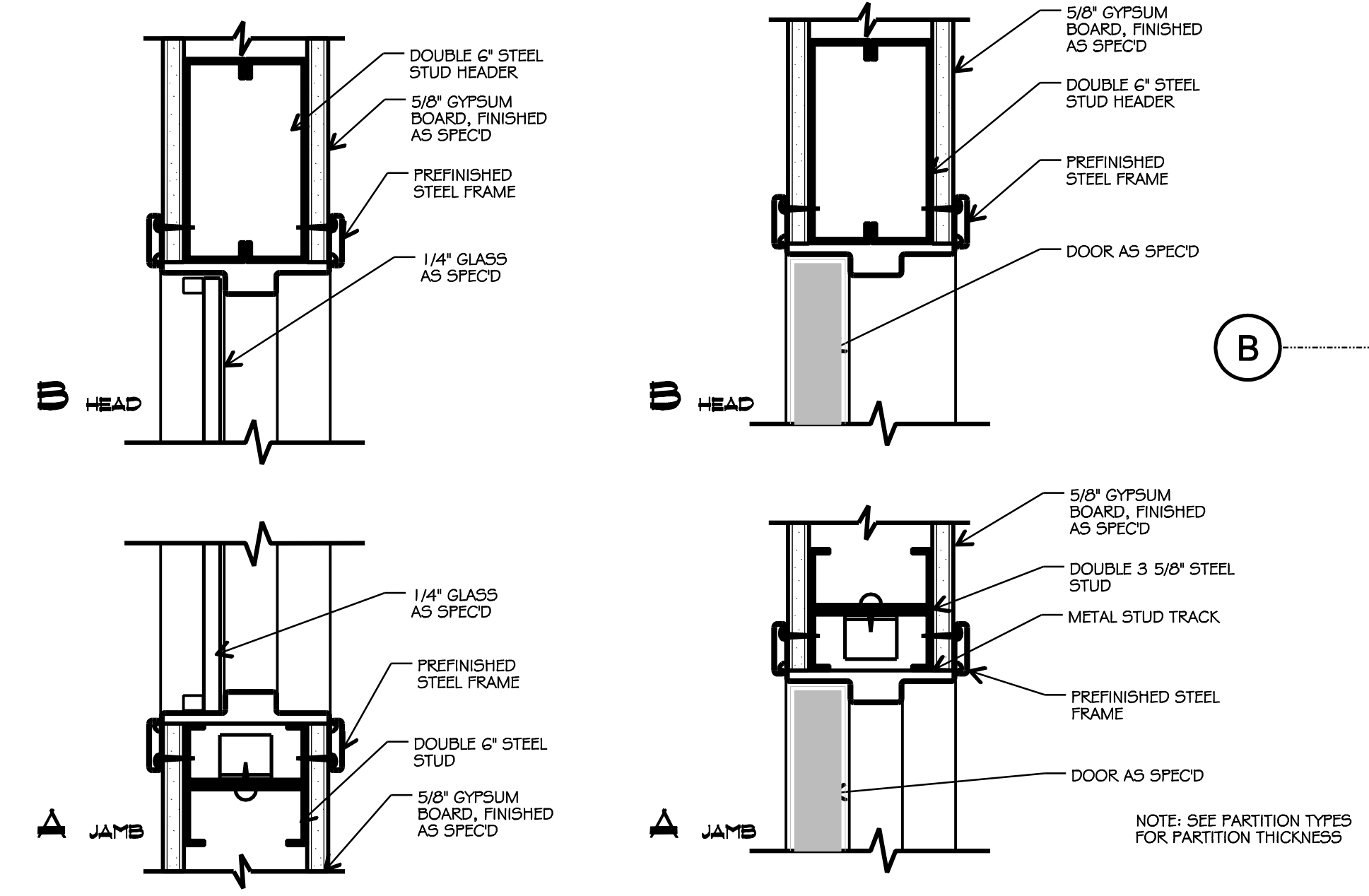


ROOM FINISH SCHEDULE		FLOOR		BASE		WALL		CEILING		NOTES							
MK	DESCRIPTION	SEAL'D CONC. LAP JOLLY	VCT	CERAMIC TILE	4" RUBBER	7"x14" CER. TILE	FRP	T.B.T & PAINT	T.B & B		14"x14" CERAMIC TILE	UNP.TD. CONC.	STOREFRONT	2"x4" AC. TILE	BTD. GYP. BOARD	OPEN TO STRUCTURE	
100	DISPATCH ROOM	11	VCT-1	20	RB-1	30	PT-1	30	PT-1	35	PT-1	40	10'-0"	PL-1 AT WORK SURFACES			
101	BREAK ROOM	11	VCT-1	20	RB-1	30	PT-1	30	PT-1	30	PT-1	30	PT-1	40	9'-0"	PL-1 AT WORK SURFACES PL-2 @ BASE CABINETS	
102	VESTIBULE	11	VCT-1	20	RB-1	30	PT-1	30	PT-1	30	PT-1	30	PT-1	40	9'-0"		
103	UNSEX	12	CT-1	21	CTB-1	30,33	PT-1, PT-2	30,33	PT-1, PT-2	30	PT-2	30,33	PT-2	41	PT-2		
104	CLOSET	10	—	—	20	RB-1	29,31	PT-1	31	PT-1	31	PT-1	31	PT-1	40	9'-0"	
105	WAREHOUSE	10	—	—	—	32	—	32	—	34	—	34	—	42	—	VARIES	

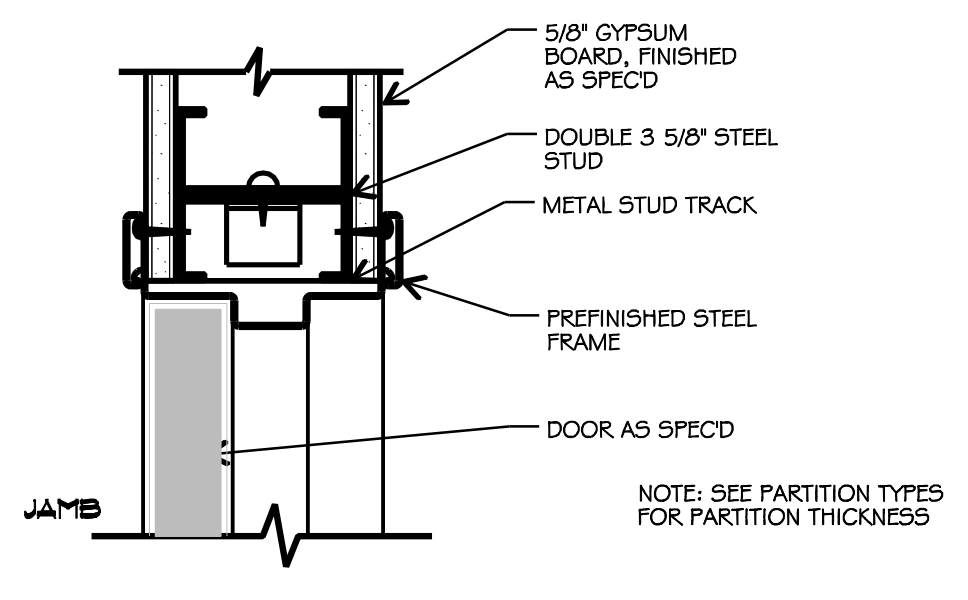
DOOR SCHEDULE						
MK.	TYPE	SIZE	FRM	DOOR	HDWR	REMARKS
100	2	3'-0"x7'-0"x1 3/4"	STL.	WD	4	PROVIDE VIEW WINDOW
101	1	3'-0"x7'-0"x1 3/4"	STL.	WD	3	
102	2	3'-0"x7'-0"x1 3/4"	STL.	WD	2	PROVIDE VIEW WINDOW WIRE FRAME FOR MAG. LOCK
103	1	3'-0"x7'-0"x1 3/4"	STL.	WD	1	
104	3	20'-0"x14'-0"x0.0.H.	—	STL.	5	MOTORIZED

- NOTES:
- RESTROOM PAINTED WALLS SHALL BE EPOXY PAINT.
 - ALL SUSPENDED CEILINGS WILL BE PROVIDED WITH 6" BATT INSULATION ABOVE THE CEILINGS.

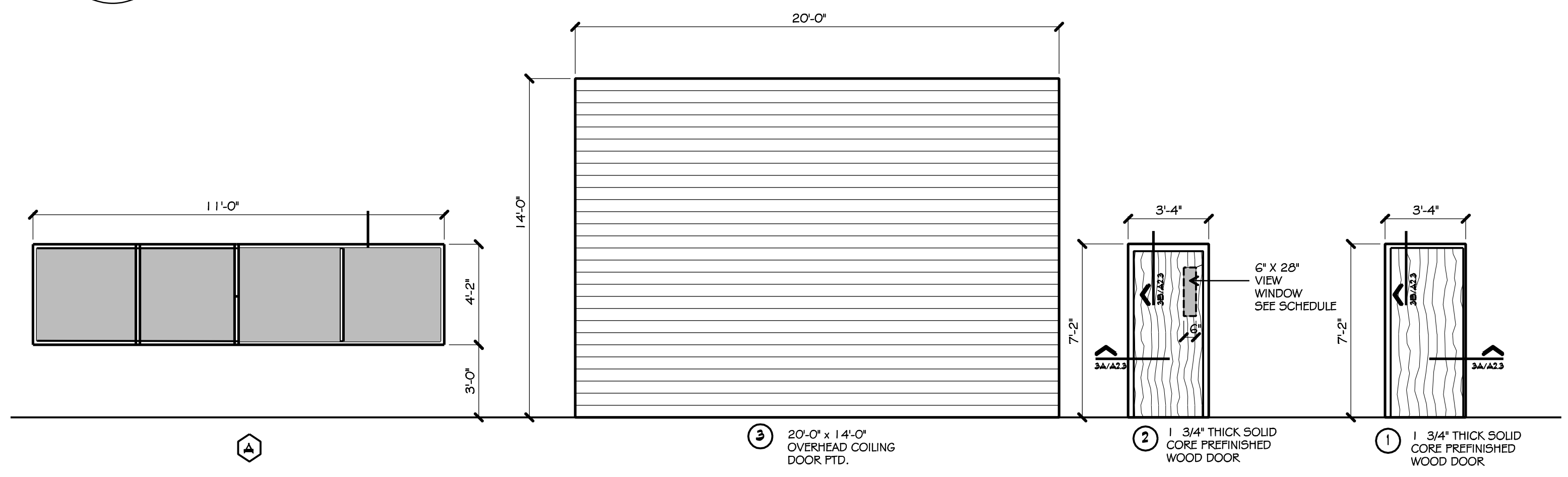
FINISH COLORS	
MK.	DESCRIPTION
CERAMIC TILE FLOOR	
CT-1	14" X 14" CERAMIC TILE-AMERICAN TILE-IC502 COLOR: NOCE (RESTROOM ONLY)
VINYL FLOOR	
VCT-1	12" X 12" VINYL COMPOSITION TILE-MANNINGTON 220 HORIZON
BASE	
RB-1	4" RUBBER COVE BASE-ROPPE *P139 DEEP NAVY
CTB-1	7" X 14" CERAMIC TILE-TO BE SELECTED (UNSEX ONLY)
PAINT	
PT-1	SHERWIN WILLIAMS-SW FUTON 7101 (ALL OFFICES)
PT-2	SHERWIN WILLIAMS-SW PURE WHITE 7005 (UNSEX ONLY)
CERAMIC TILE WALL	
WCT-1	14" X 14" CERAMIC TILE-AMERICAN TILE-IC502 COLOR: NOCE (RESTROOM WALLS)
PLASTIC LAMINATE	
PL-1	WILSONART-11798-07 NORDIC FUSION (AT WORK SURFACES)
PL-2	WILSONART-2902-60 CHARGREY SUDE (AT BASE CABINETRY)
GROUT	
	CUSTOM BUILDING PRODUCTS-COLOR *9 NATURAL GRAY (ON ALL CERAMIC TILE)



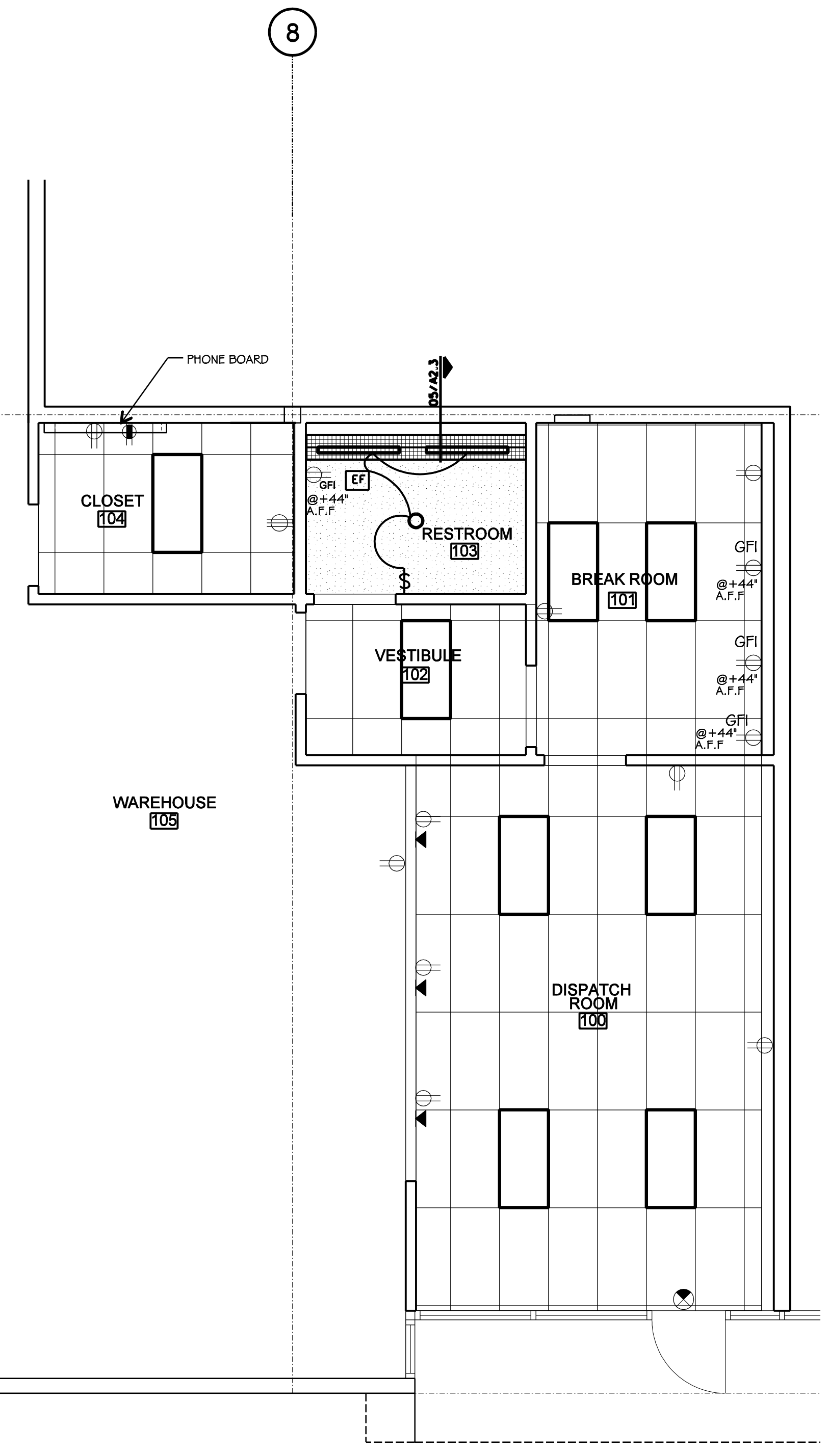
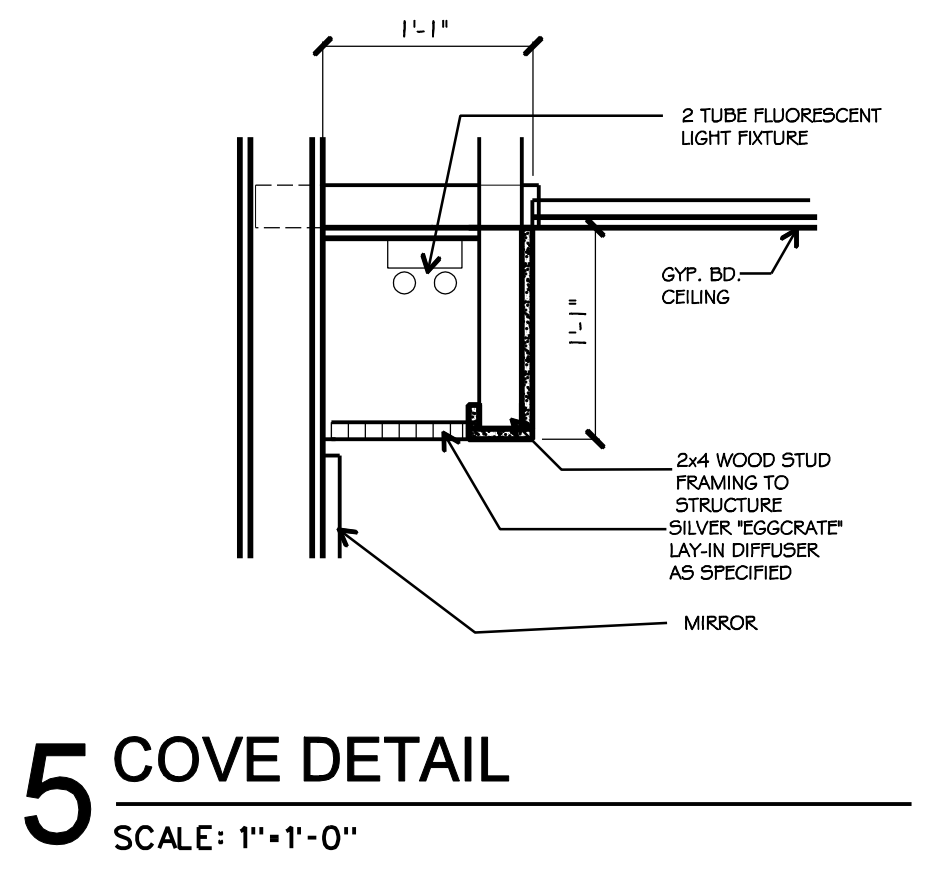
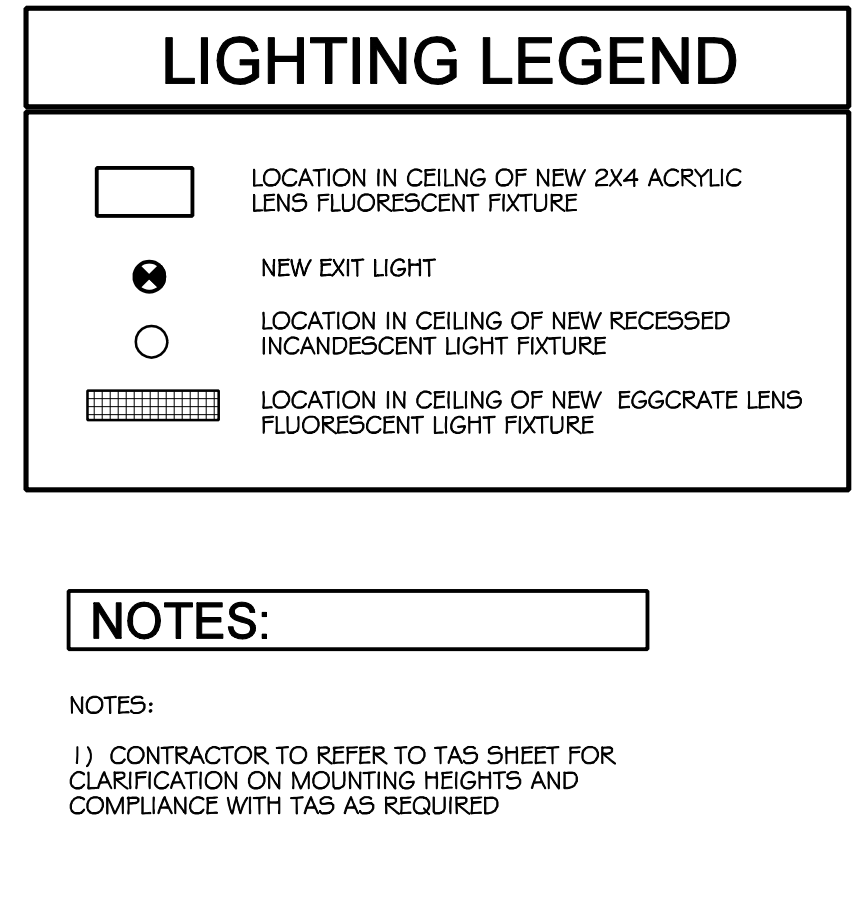
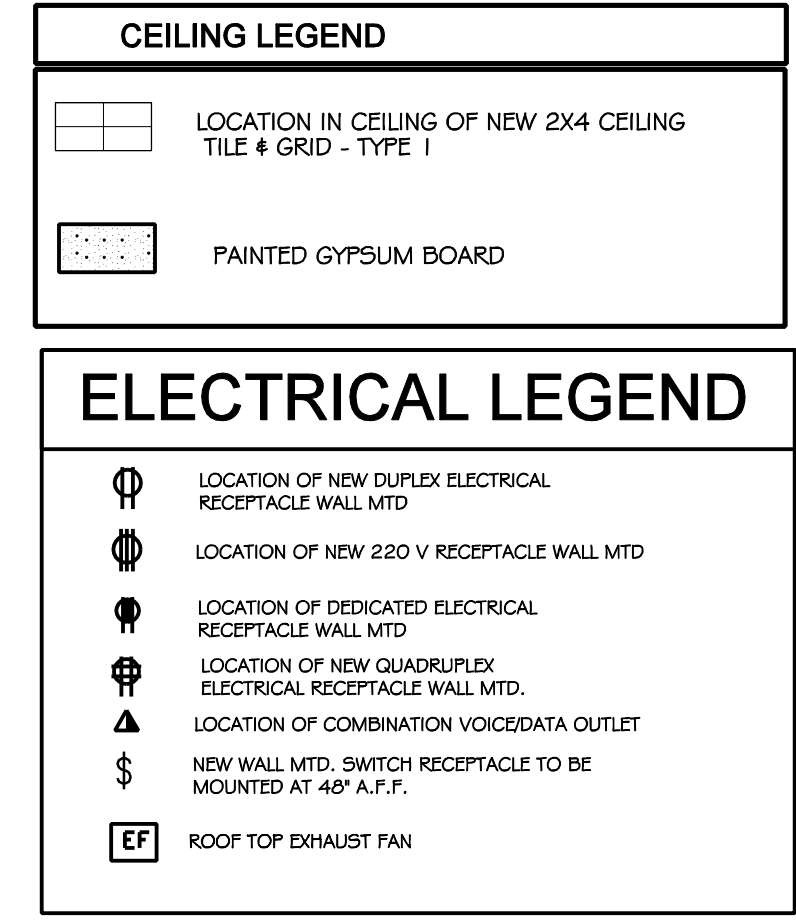
4 INTERIOR WINDOWS
SCALE: 3"=1'-0"



3 INTERIOR DOORS
SCALE: 3"=1'-0"



2 DOOR AND WINDOW TYPES
SCALE: 1/4"=1'-0"



1 REFLECTED CEILING PLAN
SCALE: 1/4"=1'-0"

Drawn: checked MARK W. PROSS date 03/28/2008

ARGENT DEVELOPMENT BY ARGENT PROPERTY COMPANY, LTD. (214) 361-6090

PROSS design group, incorporated 5010 MacArthur Hill Road, Suite 1400, Dallas, Texas 75230. 972/798-1400

PACK RAT

job no 0812 sheet A2.3

01:24:49 PM 04/15/2008 S:\0812 Pack Rat\Addendum\0812A2-3.SHT © 2000 THIS DOCUMENT AND THE DESIGNS CONTAINED THEREIN REMAINS THE PROPERTY OF PROSS DESIGN GROUP, INC. AS AN INSTRUMENT OF PROFESSIONAL SERVICE, IT IS NOT TO BE USED IN WHOLE OR IN PART FOR ANY OTHER PURPOSE WITHOUT THE WRITTEN PERMISSION OF PROSS DESIGN GROUP.