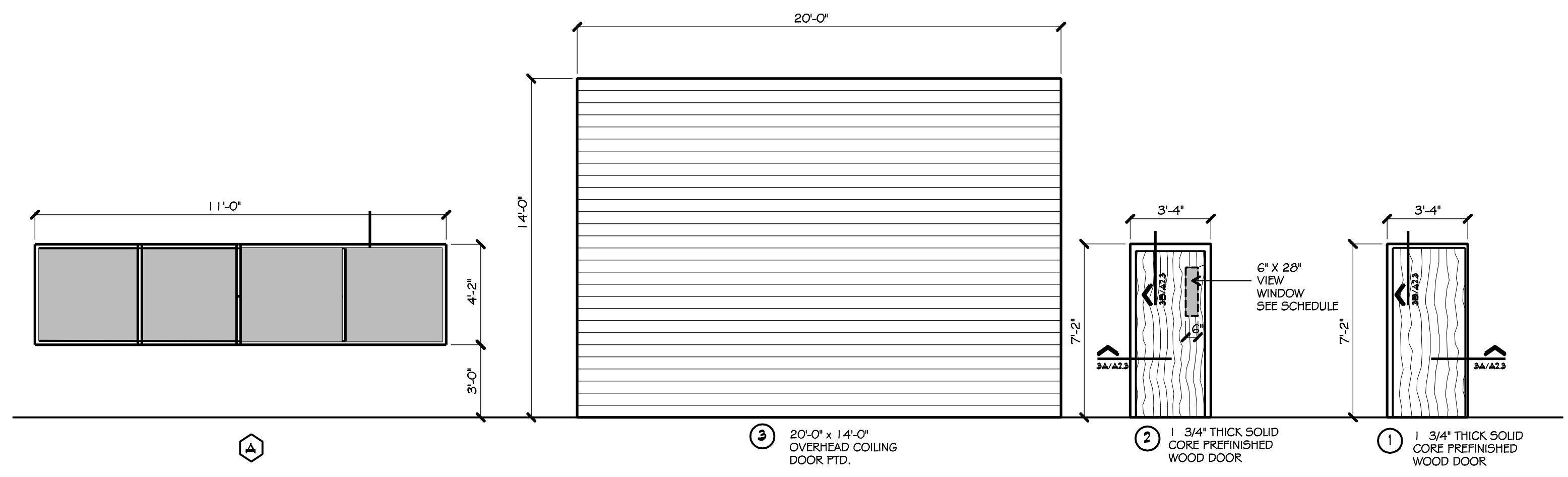
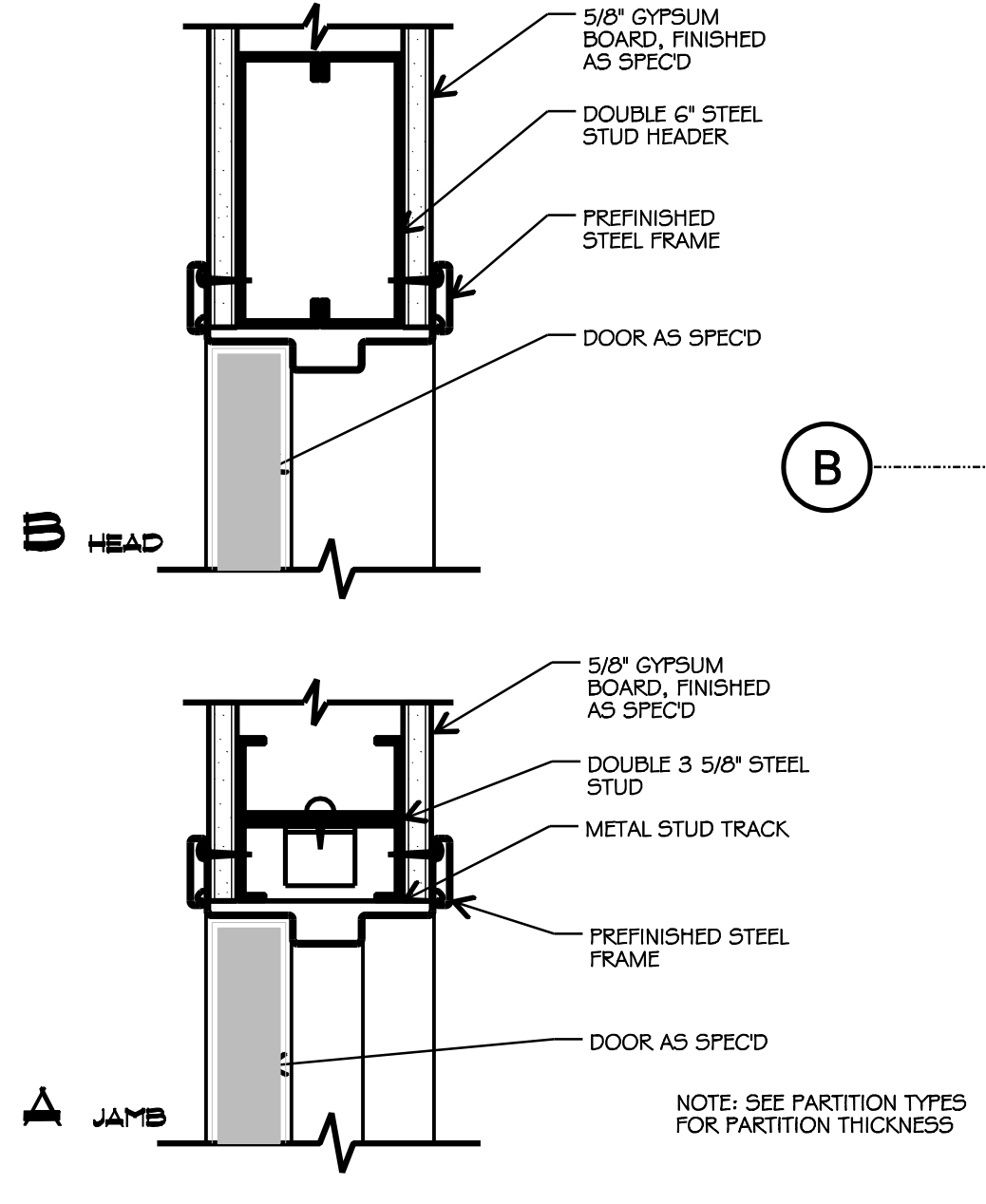
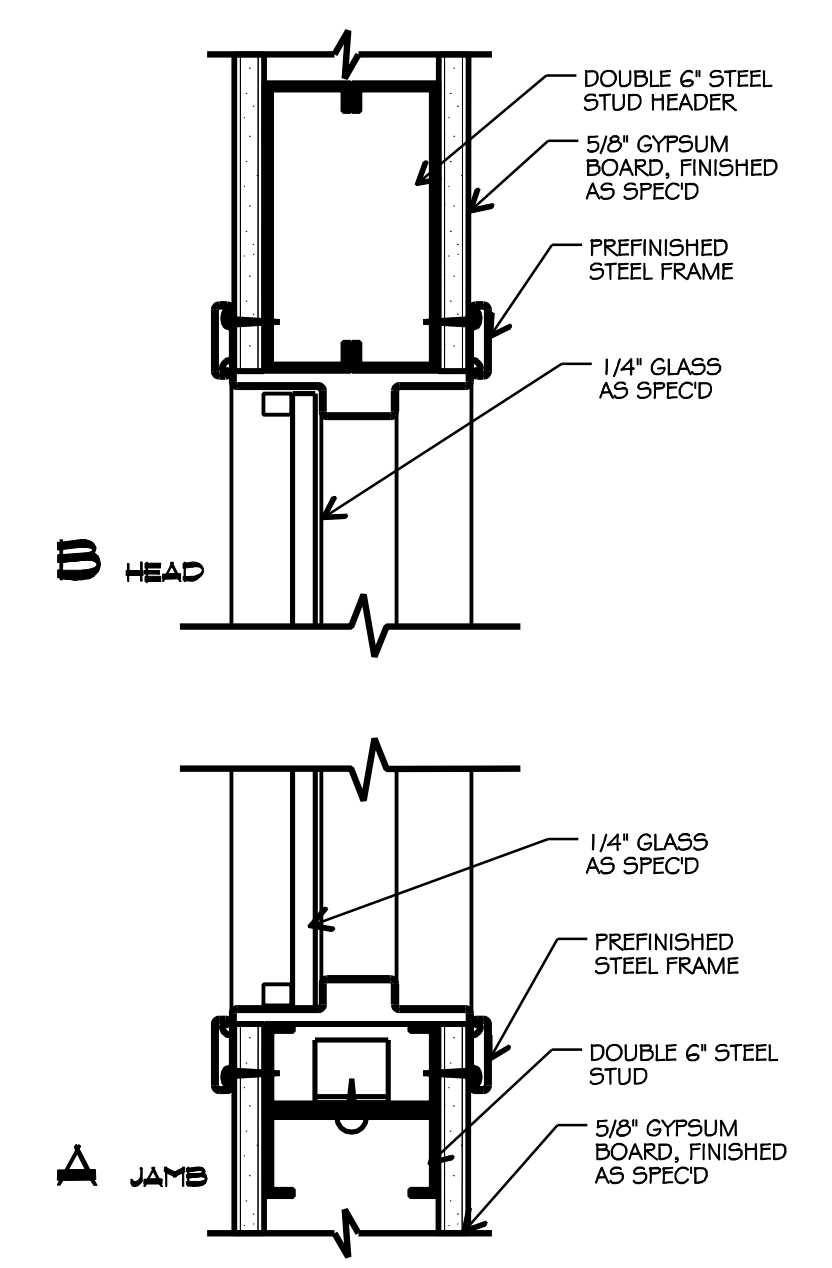


ROOM FINISH SCHEDULE		FLOOR		BASE		WALL						CEILING				NOTES	
MK	DESCRIPTION	SEALING CONC. LAP JOINT	VCT	CERAMIC TILE	4" RUBBER	7"x14" CER. TILE	FRP	T&B & PAINT	T & B	14"x14" CERAMIC TILE	UNPTD. CONC.	STOREFRONT	2"x4" AC. TILE	PTD. GYP. BOARD	OPEN TO STRUCTURE		
ROOM NUMBER	ROOM NAME	TYPE	COLOR	TYPE	COLOR	TYPE	COLOR	TYPE	COLOR	TYPE	COLOR	TYPE	COLOR	TYPE	COLOR	CEILING HEIGHT	
100	DISPATCH ROOM	11	VCT-1	20	RB-1	30	PT-1	30	PT-1	35	PT-1	30	PT-1	40	—	10'-0"	PL-1 AT WORK SURFACES
101	BREAK ROOM	11	VCT-1	20	RB-1	30	PT-1	30	PT-1	30	PT-1	30	PT-1	40	—	9'-0"	PL-1 AT WORK SURFACES PL-2 @ BASE CABINETS
102	VESTIBULE	11	VCT-1	20	RB-1	30	PT-1	30	PT-1	30	PT-1	30	PT-1	40	—	9'-0"	
103	UNSEX	12	CT-1	21	CTB-1	30,33	WCT-1 PT-2	30,33	WCT-1 PT-2	30	PT-2	30,33	WCT-1 PT-2	41	PT-2	9'-0"	
104	CLOSET	10	—	20	RB-1	29,31	PT-1	31	PT-1	31	PT-1	31	PT-1	40	—	9'-0"	
105	WAREHOUSE	10	—	—	—	32	—	32	—	34	—	34	—	42	—	VARIES	

DOOR SCHEDULE						
MK.	TYPE	SIZE	FRM	DOOR	HDWR	REMARKS
100	2	3'-0"x7'-0"x1 3/4"	STL.	WD	4	PROVIDE VIEW WINDOW
101	1	3'-0"x7'-0"x1 3/4"	STL.	WD	3	
102	2	3'-0"x7'-0"x1 3/4"	STL.	WD	2	PROVIDE VIEW WINDOW WIRE FRAME FOR MAG. LOCK
103	1	3'-0"x7'-0"x1 3/4"	STL.	WD	1	
104	3	20'-0"x14'-0"x0.H.	—	STL.	5	MOTORIZED

- NOTES:
- RESTROOM PAINTED WALLS SHALL BE EPOXY PAINT.
 - ALL SUSPENDED CEILING WILL BE PROTECTED WITH 6" BATT INSULATION ABOVE THE CEILING.

FINISH COLORS	
MK.	DESCRIPTION
CERAMIC TILE FLOOR	
CT-1	14" x 14" CERAMIC TILE-TO BE DECIDED (RESTROOM ONLY)
VINYL FLOOR	
VCT-1	14" x 14" VINYL COMPOSITION TILE-(TO BE SELECTED)
BASE	
RB-1	4" RUBBER COVE BASE-ROPPE *P139 DEEP NAVY
CTB-1	7" x 14" CERAMIC TILE-MANNINGTON-*220 HORIZON (UNSEX ONLY)
PAINT	
PT-1	SHERWIN WILLIAMS-SW FUTON 7101 (ALL OFFICES)
PT-2	SHERWIN WILLIAMS-SW PURE WHITE 7005 (UNSEX ONLY)
CERAMIC TILE WALL	
WCT-1	14" x 14" CERAMIC TILE-(TO BE SELECTED- ON RESTROOM WALLS AS INDICATED)
PLASTIC LAMINATE	
PL-1	WILSONART-*1798-07 NORDIC FUSION (AT WORK SURFACES)
PL-2	WILSONART-*2902-60 CHARGREY SUEDE (AT BASE CABMETRY)



CEILING LEGEND

- LOCATION IN CEILING OF NEW 2X4 CEILING TILE # GRID - TYPE 1
- PAINTED GYPSUM BOARD

ELECTRICAL LEGEND

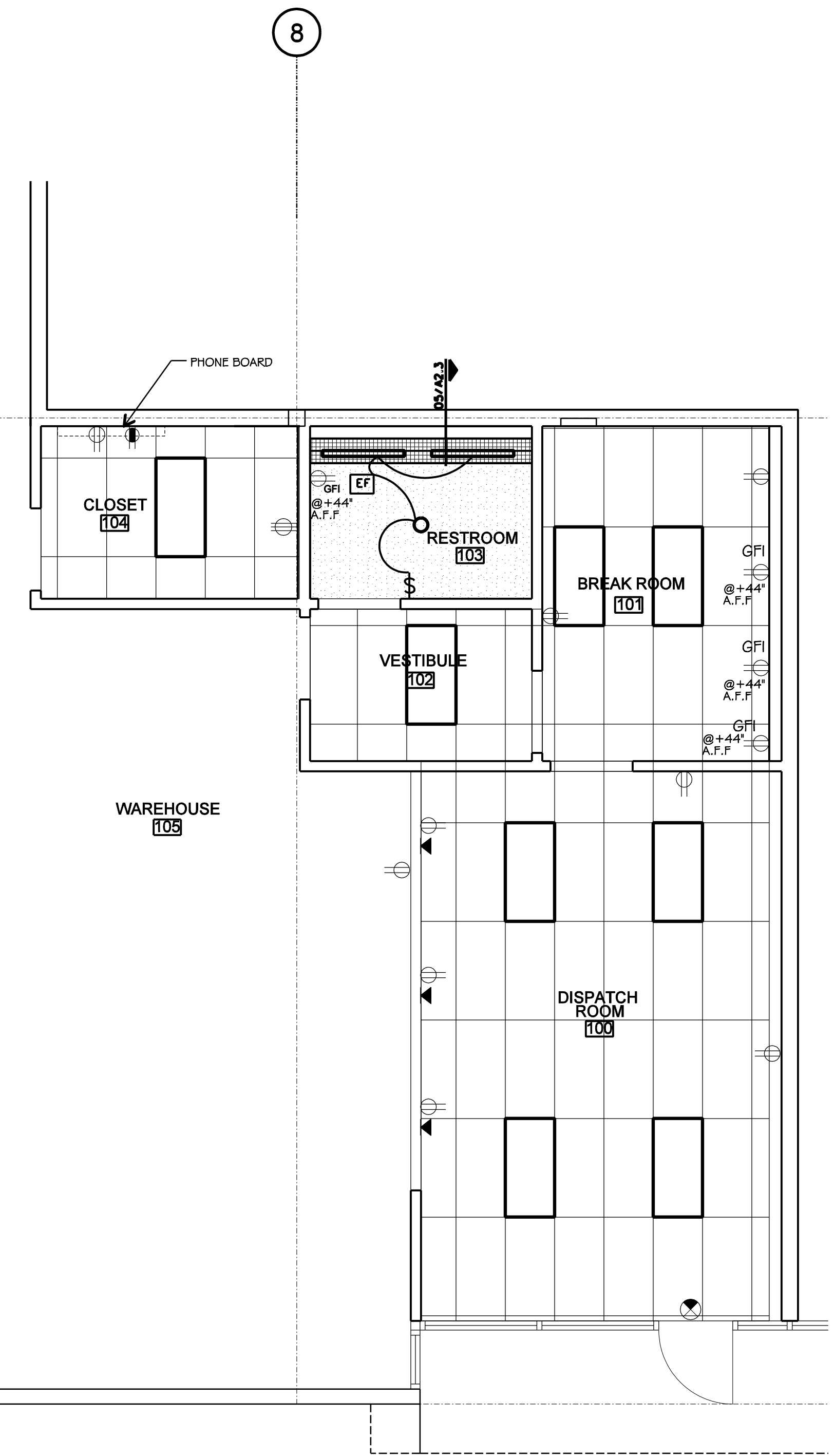
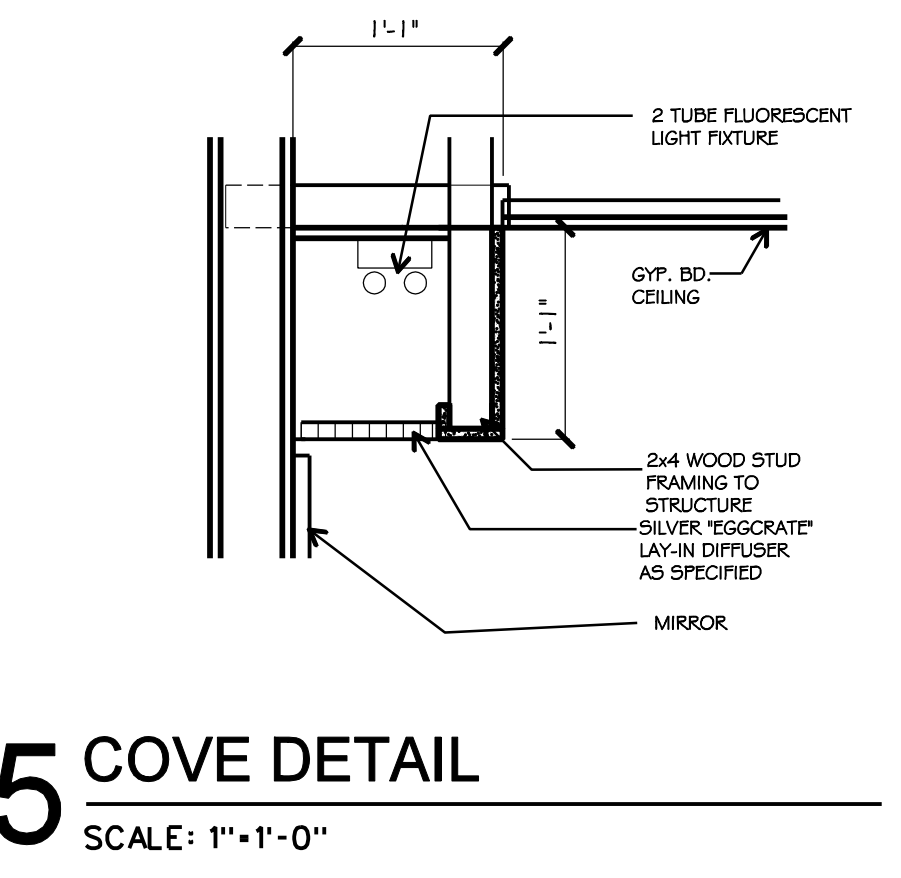
- LOCATION OF NEW DUPLEX ELECTRICAL RECEPTACLE WALL MTD
- LOCATION OF NEW 220 V RECEPTACLE WALL MTD
- LOCATION OF DEDICATED ELECTRICAL RECEPTACLE WALL MTD
- LOCATION OF NEW QUADRUPLUX ELECTRICAL RECEPTACLE WALL MTD
- LOCATION OF COMBINATION VOICEDATA OUTLET
- NEW WALL MTD. SWITCH RECEPTACLE TO BE MOUNTED AT 48" A.F.F.
- ROOF TOP EXHAUST FAN

LIGHTING LEGEND

- LOCATION IN CEILING OF NEW 2X4 ACRYLIC LENS FLUORESCENT FIXTURE
- NEW EXIT LIGHT
- LOCATION IN CEILING OF NEW RECESSED INCANDESCENT LIGHT FIXTURE
- LOCATION IN CEILING OF NEW EGGRATE LENS FLUORESCENT LIGHT FIXTURE

NOTES:

1) CONTRACTOR TO REFER TO T&S SHEET FOR CLARIFICATION ON MOUNTING HEIGHTS AND COMPLIANCE WITH T&S AS REQUIRED



drawn: MK
checked: MK
DATE: 03/28/2008

ARGENT DEVELOPMENT BY ARGENT PROPERTY COMPANY, LTD. (214) 361-6090

ross design group, incorporated
5010 Harwood Park Road, Suite 100, Dallas, Texas 75240 (972) 751-1400

PACK RAT

job no 0812
sheet A2.3

04:12:02 PM 04/01/2008 S:\0812 Pack Rat\Addendum\0812A2-3.SHT © 2000 THIS DOCUMENT AND THE DESIGNS CONTAINED THEREIN REMAINS THE PROPERTY OF PROSS DESIGN GROUP, INC. AS AN INSTRUMENT OF PROFESSIONAL SERVICE, IT IS NOT TO BE USED IN WHOLE OR IN PART FOR ANY OTHER PURPOSE WITHOUT THE WRITTEN PERMISSION OF PROSS DESIGN GROUP.