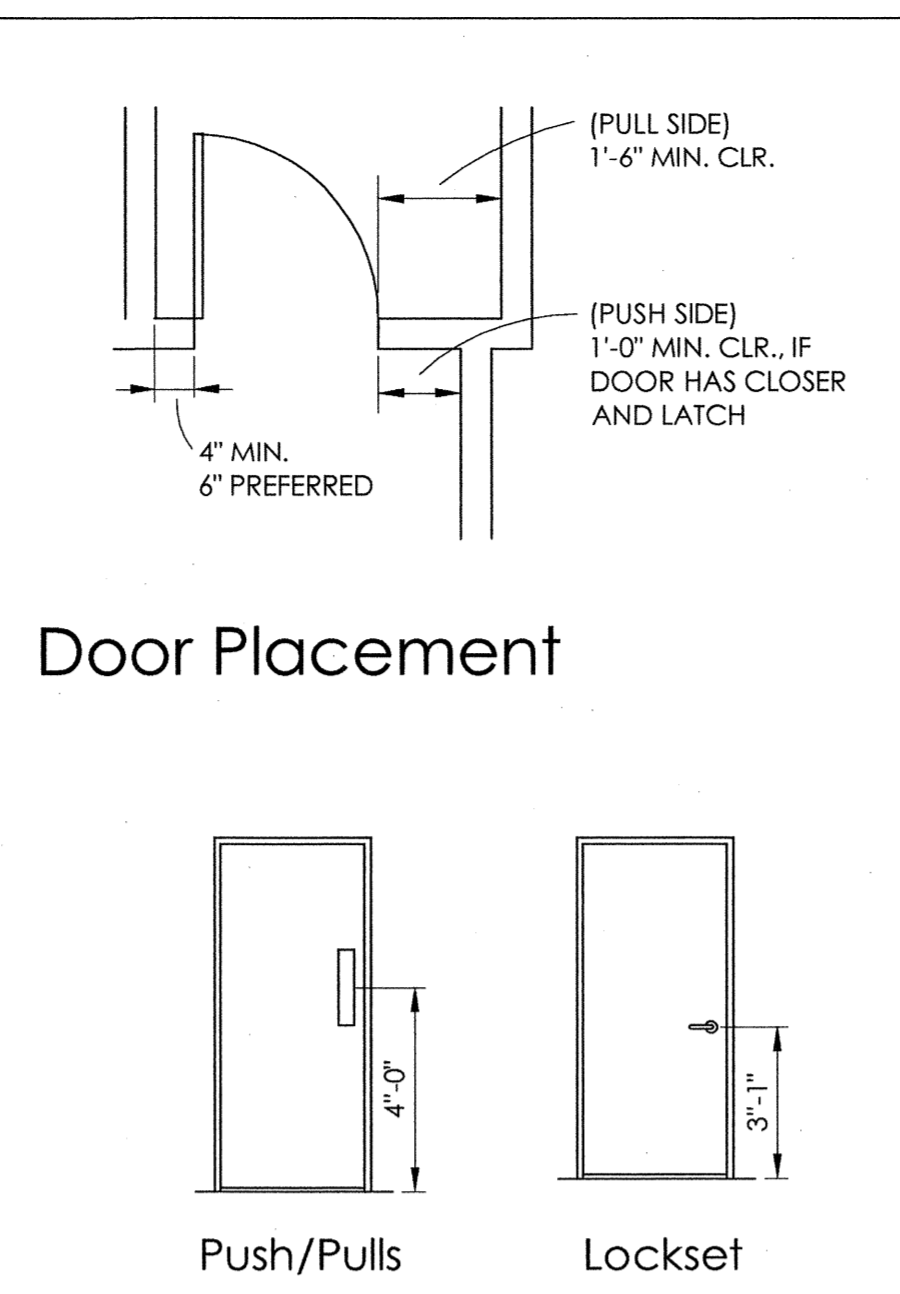
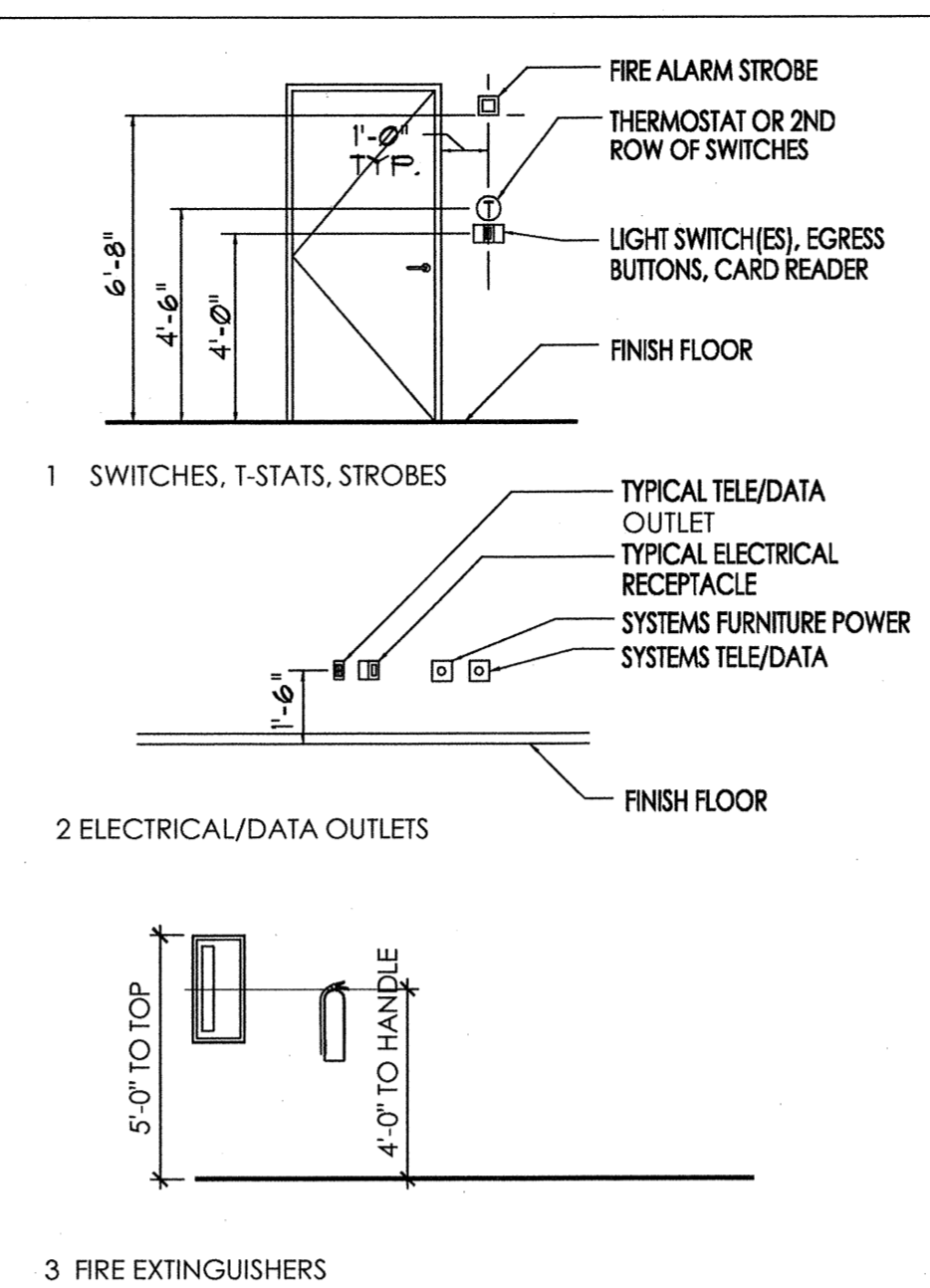


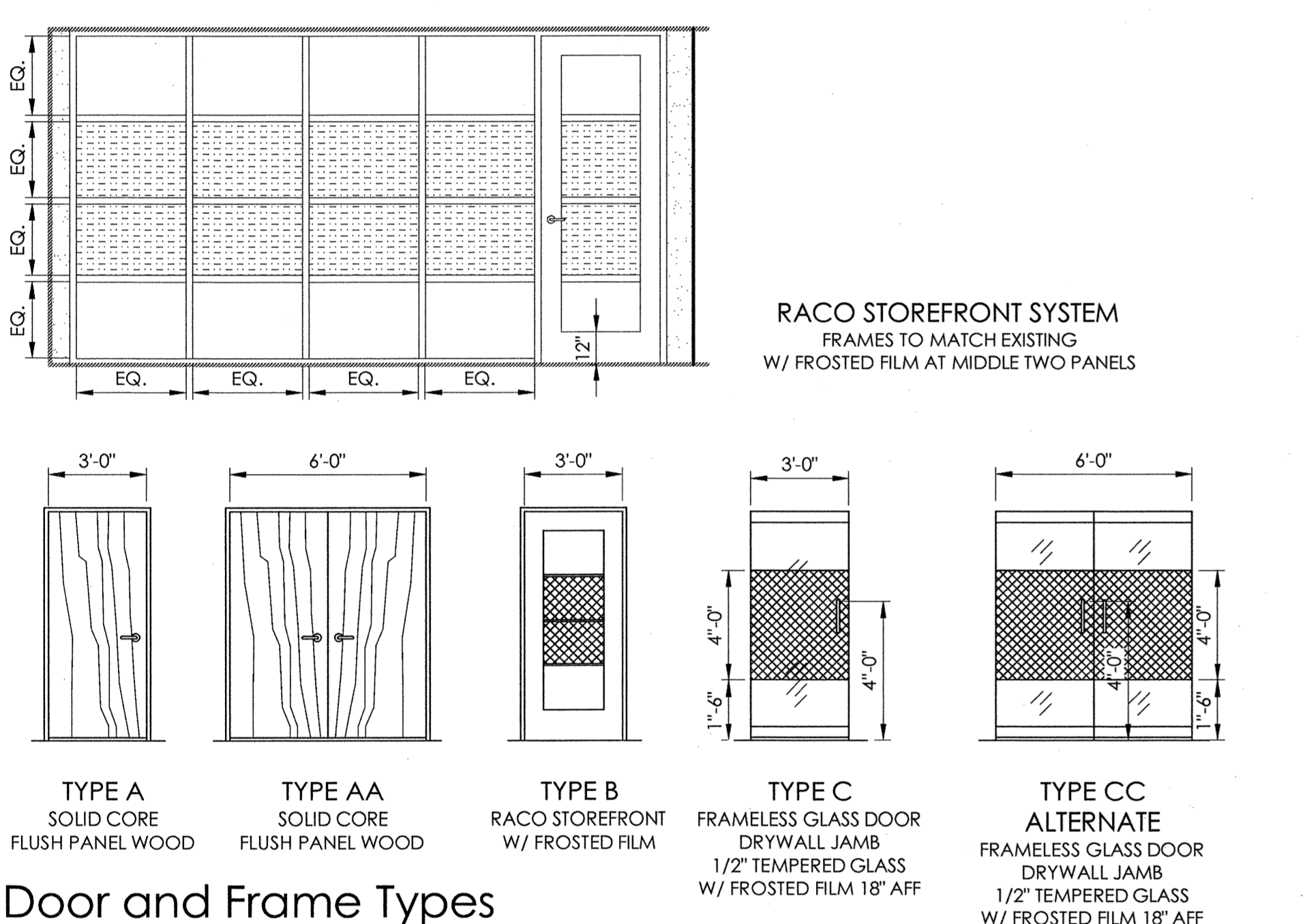
Accessible Door Layout



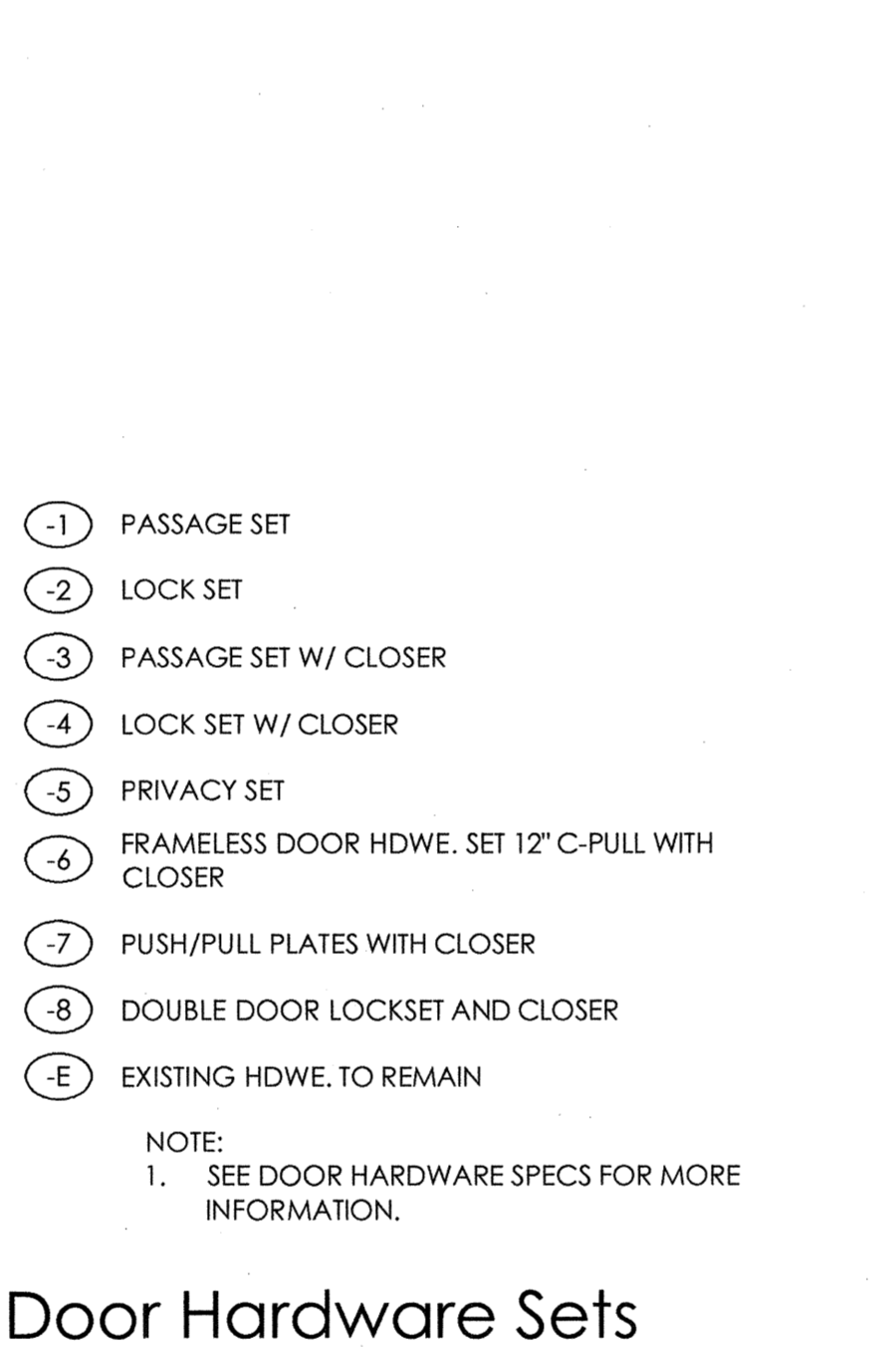
Door Hardware Placement



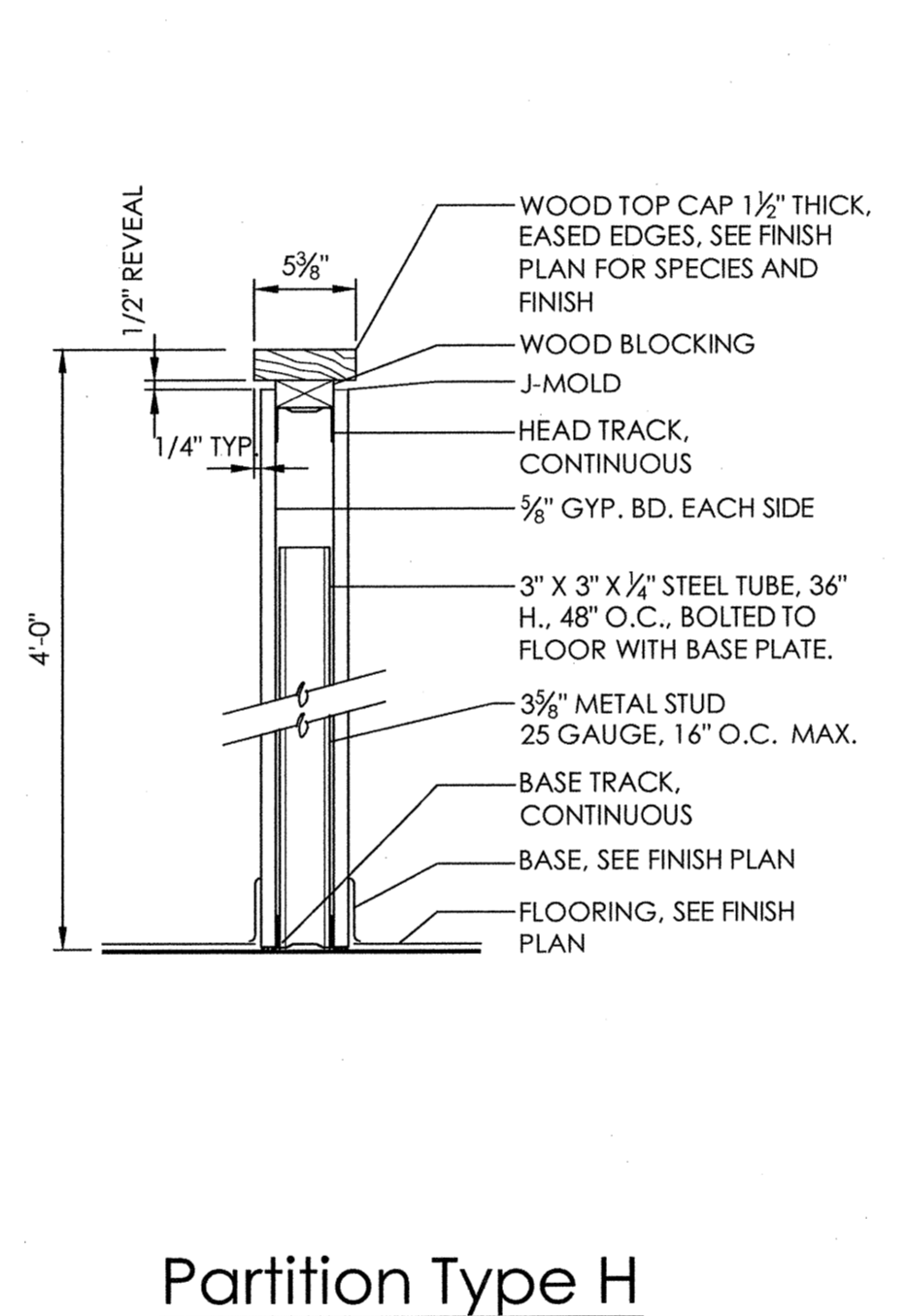
Typical Mounting Heights



Door and Frame Types



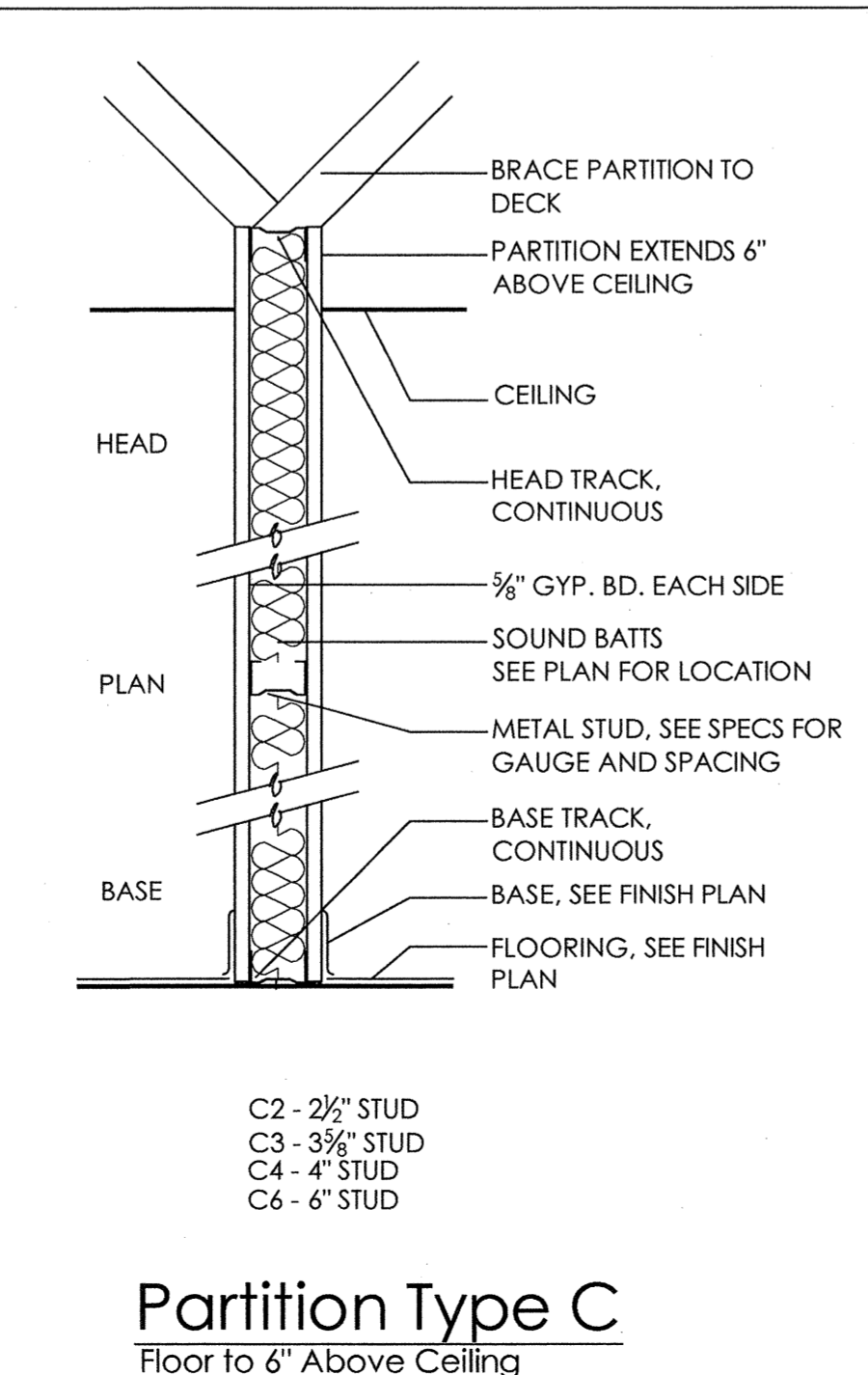
Door Hardware Sets



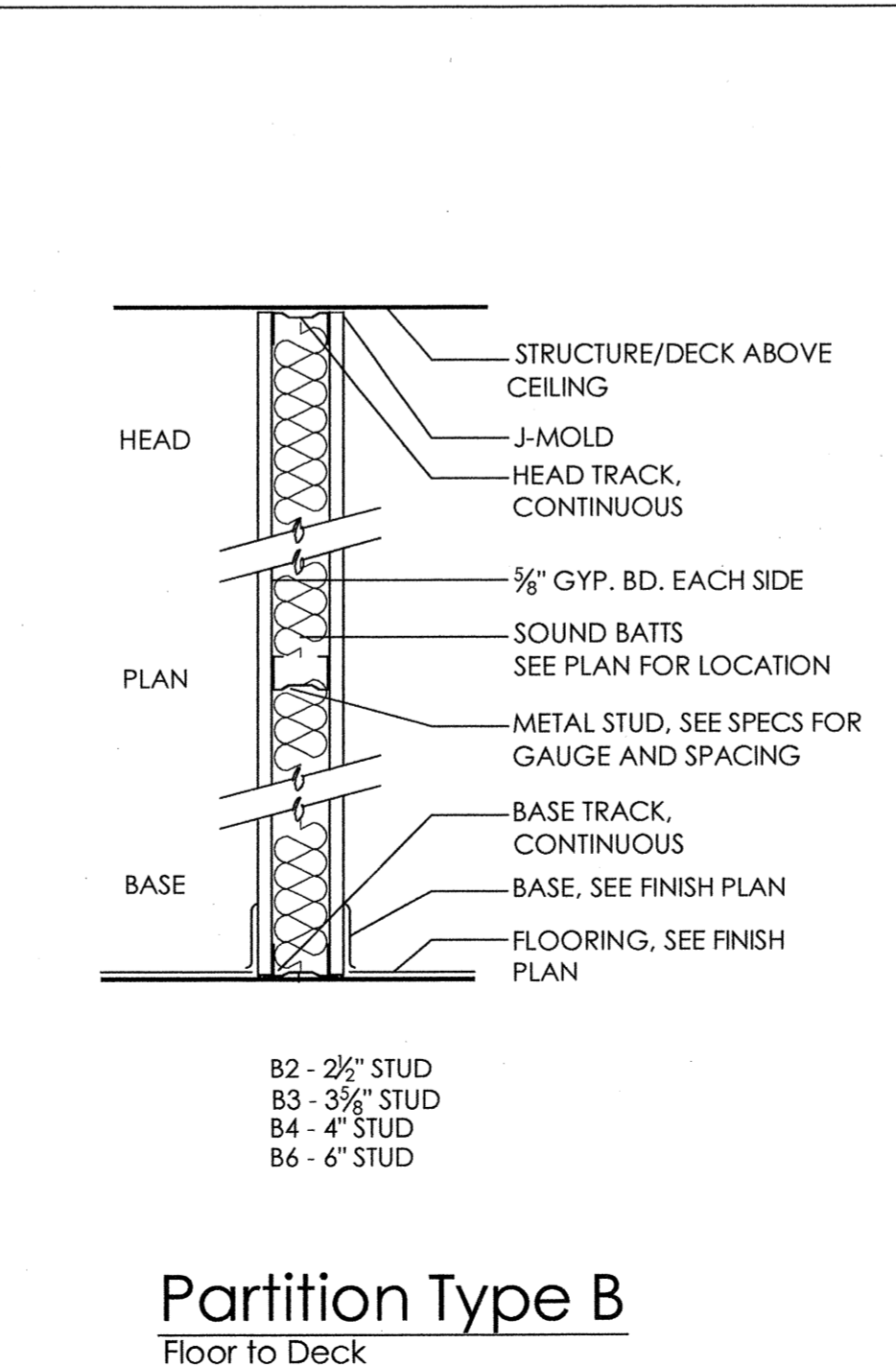
Partition Type H



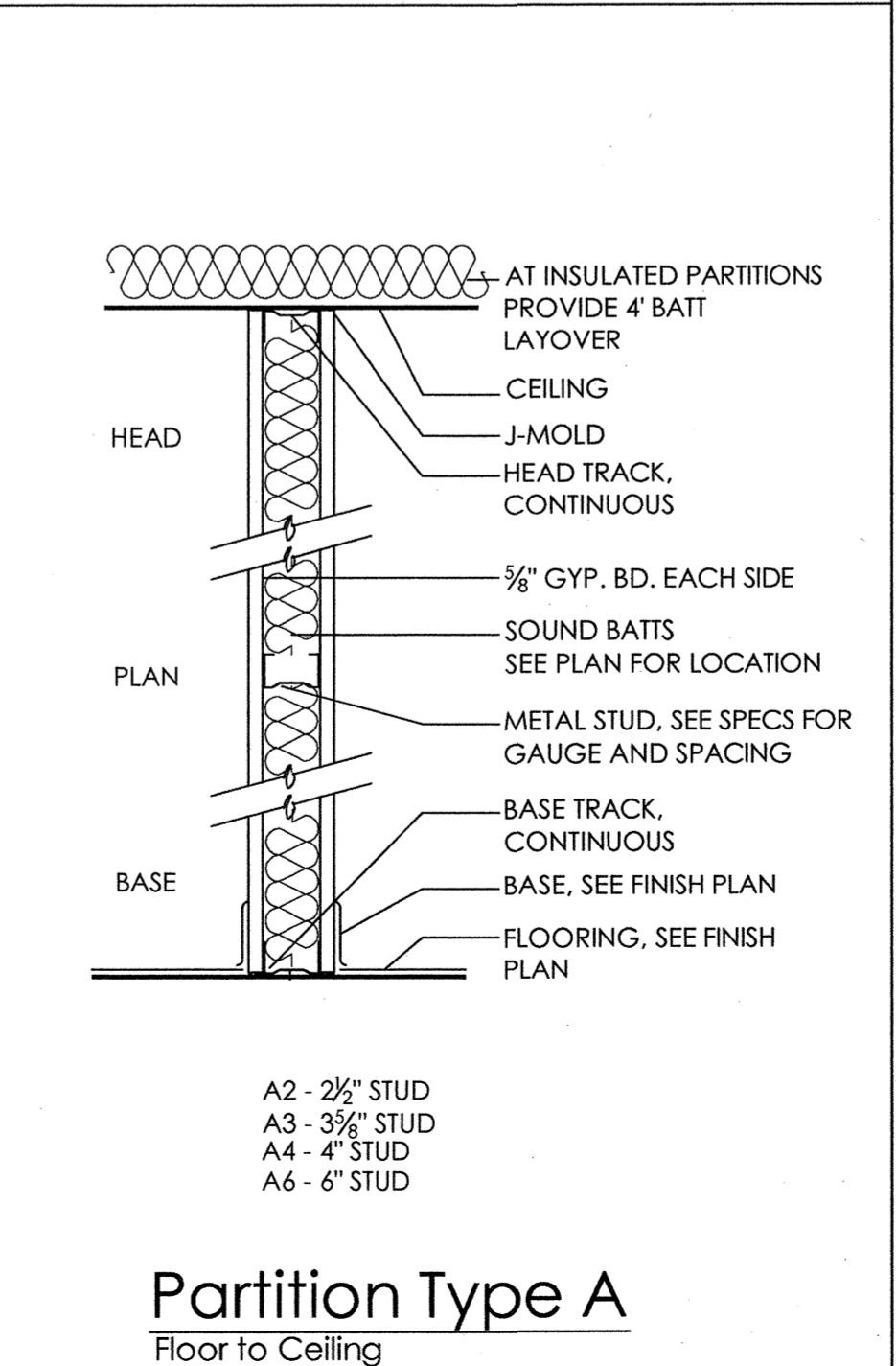
Partition Type D
 One Hour Rated - UL Design Number U419



Partition Type C
 Floor to 6' Above Ceiling



Partition Type B
 Floor to Deck



Partition Type A
 Floor to Ceiling

SPECIFICATIONS

PARTITION LAYOUT
 1. PARTITIONS ARE TO THE CENTERLINE OF THE MULLION, U.N.O.
 2. DIMENSIONS, LOCATING DOORS, ARE TO THE INSIDE FACE OF THE JAMB, U.N.O.
 3. PARTITION LAYOUT SHALL BE APPROVED BY THE TENANT.
 4. IF LAYOUT IS OFF BY MORE THAN 3", NOTIFY ARCHITECT.

ROUGH BLOCKING
 1. INTERIOR LUMBER SHALL BE FIRE RETARDANT IN COMPLIANCE WITH AWP C20.
 2. INTERIOR PANEL PRODUCTS SHALL BE FIRE RETARDANT IN COMPLIANCE WITH AWP C27, INTERIOR TYPE B.
 3. PROVIDE BLOCKING, NAILERS, GROUNDS, FURRING AND OTHER SIMILAR ITEMS REQUIRED TO RECEIVE AND SUPPORT MILLWORK AND OTHER WORK.

DRYWALL AND PARTITIONS
 1. STUD SPACING AND GAUGE SHALL BE BASED UPON MANUFACTURER'S ALLOWABLE HEIGHT CHARTS. LIMIT DEFLECTION OF PARTITIONS TO FOLLOWING:
 - BASED ON 5 PSF UNIFORM DESIGN LOAD
 - ALL PARTITIONS: L/120 DEFLECTION.
 - PARTITIONS TO RECEIVE CERAMIC TILE: L/240.
 2. NOTIFY ARCHITECT SHOULD PARTITION HEIGHT EXCEED STUD MANUFACTURER'S ALLOWABLE HEIGHT CHART.
 3. SOUND BATT INSULATION WHERE SCHEDULED SHALL COMPLY WITH ASTM C 665, TYPE I, GLASS FIBER COMPOSITION, UNFACED, NON-COMBUSTIBLE WHEN TESTED IN ACCORDANCE WITH ASTM E 136.
 4. INSTALL PARTITION AND CEILING FRAMING IN ACCORDANCE WITH ASTM C754 AND MANUFACTURER'S INSTRUCTIONS.
 5. INSTALL GYPSUM PANELS IN ACCORDANCE WITH ASTM 754, GA-216 AND MANUFACTURER'S INSTRUCTIONS.
 6. GYPSUM BOARD AT "WET" LOCATIONS SHALL BE CEMENTIOUS BOARD, NOT "GREEN ROCK".
 7. INSTALL ACOUSTICAL PARTITIONS AS FOLLOWS:
 - EXTEND ACOUSTICAL PARTITION PASS INTERSECTING NON-ACOUSTICAL PARTITIONS.
 - FILL WALL CAVITY WITH SOUND BATTS. ELIMINATE ALL VOIDS.
 - SEAL ACOUSTICAL PARTITION AT PERIMETER AND AROUND PENETRATIONS WITH CONTINUOUS BEAD OF SEALER. IN FIRE RATED PARTITIONS, USE FIRE STOPPING SEALER. IN ACOUSTICAL PARTITIONS, USE ACOUSTICAL SEALER. SEAL SPACE BETWEEN GYP. BD. PANEL AT CONTROL JOINTS, PRIOR TO INSTALLING METAL CONTROL JOINTS. APPLY SEALER TO PENETRATIONS THROUGH PARTITIONS.
 8. INSTALL ACCESSORIES AS FOLLOWS:
 - INSTALL IN ACCORDANCE WITH MANUFACTURER'S INSTRUCTIONS.
 - INSTALL CORNER REINFORCEMENT AT OUTSIDE CORNERS. USE SINGLE LENGTHS WHERE LENGTH OF CORNER DOES NOT EXCEED STANDARD HEIGHT.
 - INSTALL CONTROL JOINTS AT WALLS AND PARTITIONS AT MAXIMUM OF 30' APART. CONTROL JOINTS MAY BE INSTALLED AT BOTH SIDES OF THE DOOR HEADER.
 - INSTALL CONTROL JOINT IN GYP. BD. CEILING AT MAXIMUM OF 50' OR MAXIMUM OF 2500 S.F.
 9. NEW PARTITIONS CONSTRUCTED TO DECK SHALL RECEIVE RETURN AIR BOOTS APPROPRIATELY SIZED FOR PROPER OPERATION OF HVAC SYSTEM.
 10. FOR PARTITIONS UNDER 10'-0" HIGH OR LESS, USE VERTICAL INSTALLATION OR PARTITIONS OVER 10'-0" HIGH USE HORIZONTAL INSTALLATION AND STAGGER PANELS.
 11. NEW FIRE RATED PARTITIONS SHALL HAVE FIRE DAMPERS OF THE APPROPRIATE SIZE AND RATING.
 12. PROVIDE ACCESS PANELS OF THE APPROPRIATE FIRE RATING FOR MECHANICAL, ELECTRICAL OR PLUMBING ACCESS.

DOORS
 1. INSTALL DOORS PLUMB AND LEVEL.
 2. IF FIELD CUTTING FOR HEIGHT IS NECESSARY, CUT BOTTOM EDGE ONLY 3/4" MAXIMUM.
 3. PROVIDE A 1/2" UNDERCUT MAXIMUM.
 4. ENSURE DOORS OPERATE FREELY. MAXIMUM DIAGONAL TOLERANCE 1/4" MEASURED WITH STRAIGHT EDGE FROM CORNER TO CORNER.

DOOR FRAMES
 1. FABRICATE FRAME TO PERMIT INSTALLATION OVER METAL STUD PARTITIONS FACED WITH GYP. BD.
 2. FRAME FASTENERS SHALL NOT BE EXPOSED.
 3. PROVIDE INTERNAL REINFORCEMENT FOR DOOR HARDWARE.
 4. SET FRAMES PLUMB AND LEVEL, FREE FROM WARP OR TWIST.
 5. RIGIDLY ATTACH USING FASTENERS OR TYPE BEST SUITED TO APPLICATION.
 6. FIT CORNER AND INTERSECTIONS TO BE FLUSH WITH HAIRLINE JOINTS.

DOOR HARDWARE
 1. INSTALL HARDWARE IN ACCORDANCE WITH MANUFACTURER'S INSTRUCTIONS.
 2. INSTALL LOCKSETS, CLOSERS AND TRIM AFTER FINISH PAINTING.
 3. LOCATE ITEMS IN ACCORDANCE WITH BHMA RECOMMENDATIONS, UNLESS NOTED OTHERWISE.
 4. TEST AND ADJUST HARDWARE FOR QUIET, SMOOTH OPERATION, FREE OF STICKING, BINDING AND RATTLING.
 5. MOUNT CLOSER SO THAT CLOSER AND CLOSER ARM ARE NOT VISIBLE ON CORRIDOR SIDE.
 6. ADJUST DOOR CLOSER TO OPERATE DOOR WITH THE FOLLOWING MAXIMUM OPENING FORCES: - TYPICAL INTERIOR DOOR: 5 LBS.
 7. PROVIDE THE APPROPRIATE NUMBER OF BUTTS FOR EACH DOOR.
 8. PROVIDE A DOOR STOP FOR EACH DOOR. USE WALL MOUNTED STOPS WHERE POSSIBLE, OTHERWISE FLOOR MOUNTED.
 9. PROVIDE BALL BEARING HINGES AT FIRE RATED DOORS AND AT ALL DOORS OVER 3' WIDE.
 10. DOUBLE DOORS AT FIRE RATED WALLS SHALL RECEIVE DOOR COORDINATOR (BAR) CLOSER AT BOTH DOORS AND CONCEALED AUTOMATIC FLUSH BOLTS.
 11. RESTROOMS SHALL RECEIVE MOP PLATE ON RESTROOM SIDE OF DOOR.
 12. JANITOR CLOSETS SHALL RECEIVE ARMOR PLATE AT BOTH SIDES OF DOOR.

ENTOS design

5400 LBJ Freeway
 Suite 125
 Dallas, Texas 75240
 P. 972.770.2222
 F. 972.770.2242
 www.entosdesign.com

All drawings and written materials appearing herein constitute original unpublished work, and may not be duplicated, used or disclosed without written consent of the ENTOS Design.

These drawings are assumed to be complete and final. It shall be the tenant/client's responsibility to review and bring in writing any design discrepancies to the designers' attention. Any design changes will be at additional expense. The designer shall not be held responsible for city, state and federal code/regulation authority's interpretations.

Approved: _____ Date: _____

Construction Set 02/27/2009
 No. Issued Date

Project
Phalon George

Location
Two Forest Plaza
 12201 Merit Drive
 Suite 700
 Dallas, Texas 75251

Sheet Title
Partition, Doors, and Frame Types

Sheet Number © 2009
AN2