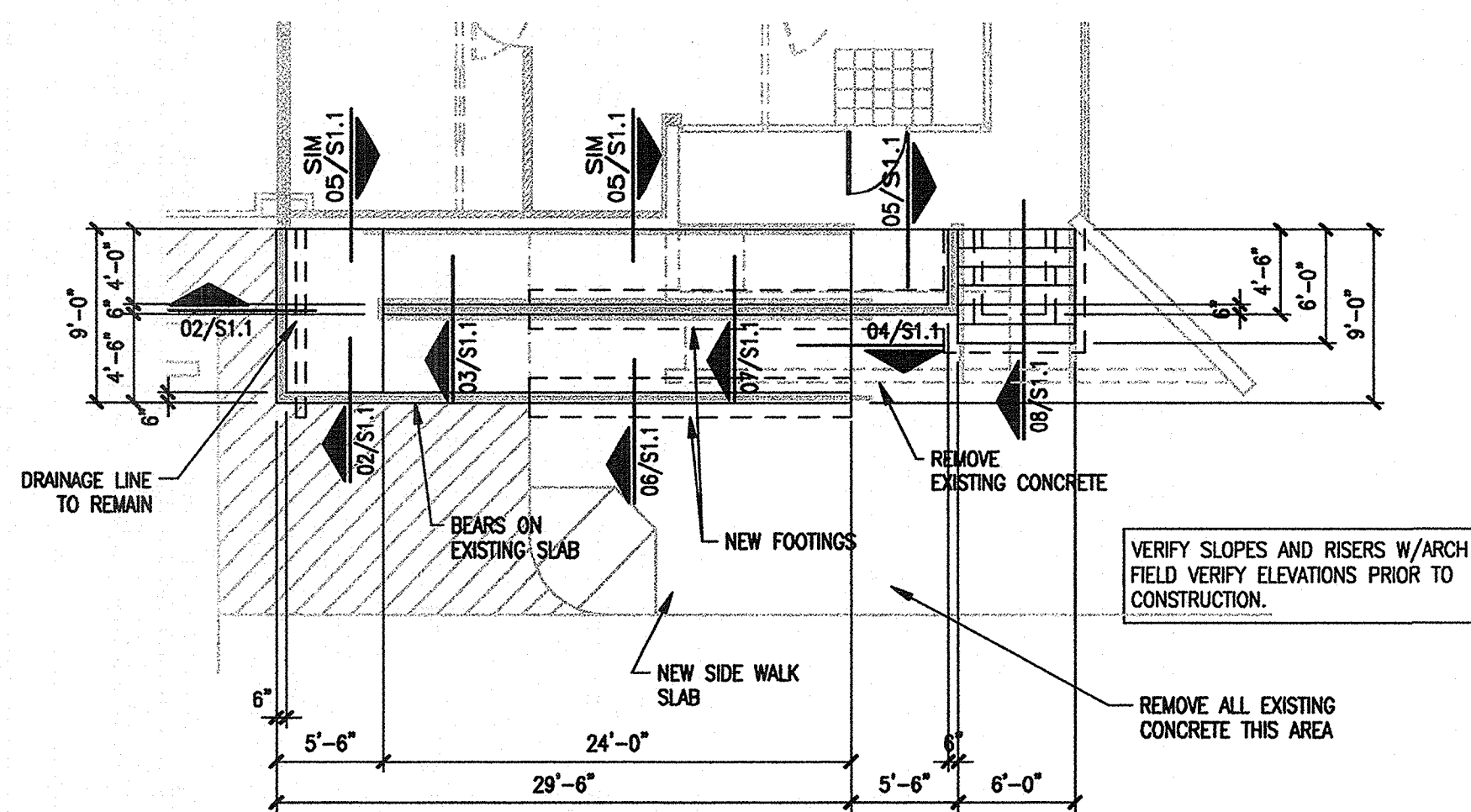
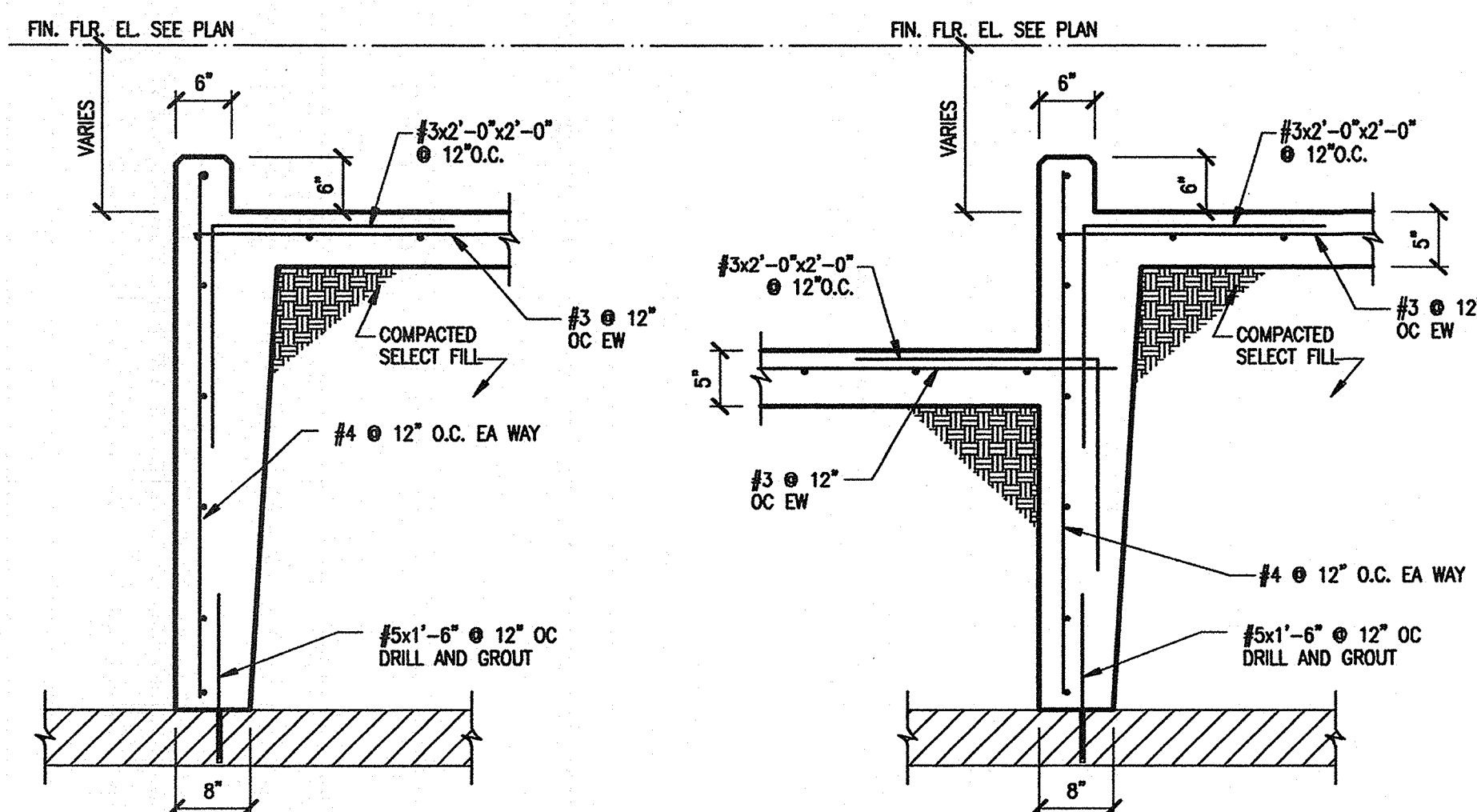


MAKE READY IMPROVEMENTS
GSW DISTRIBUTION CENTER #30
 3408 RANDOL MILL RD. ARLINGTON, TEXAS
TECHNISTRUCTURES, INC.
 STRUCTURAL ENGINEERING CONSULTANTS
 5220 McKinney Avenue
 Dallas, Texas 75205
 (940) 244-2878
 TX REG. # 2575

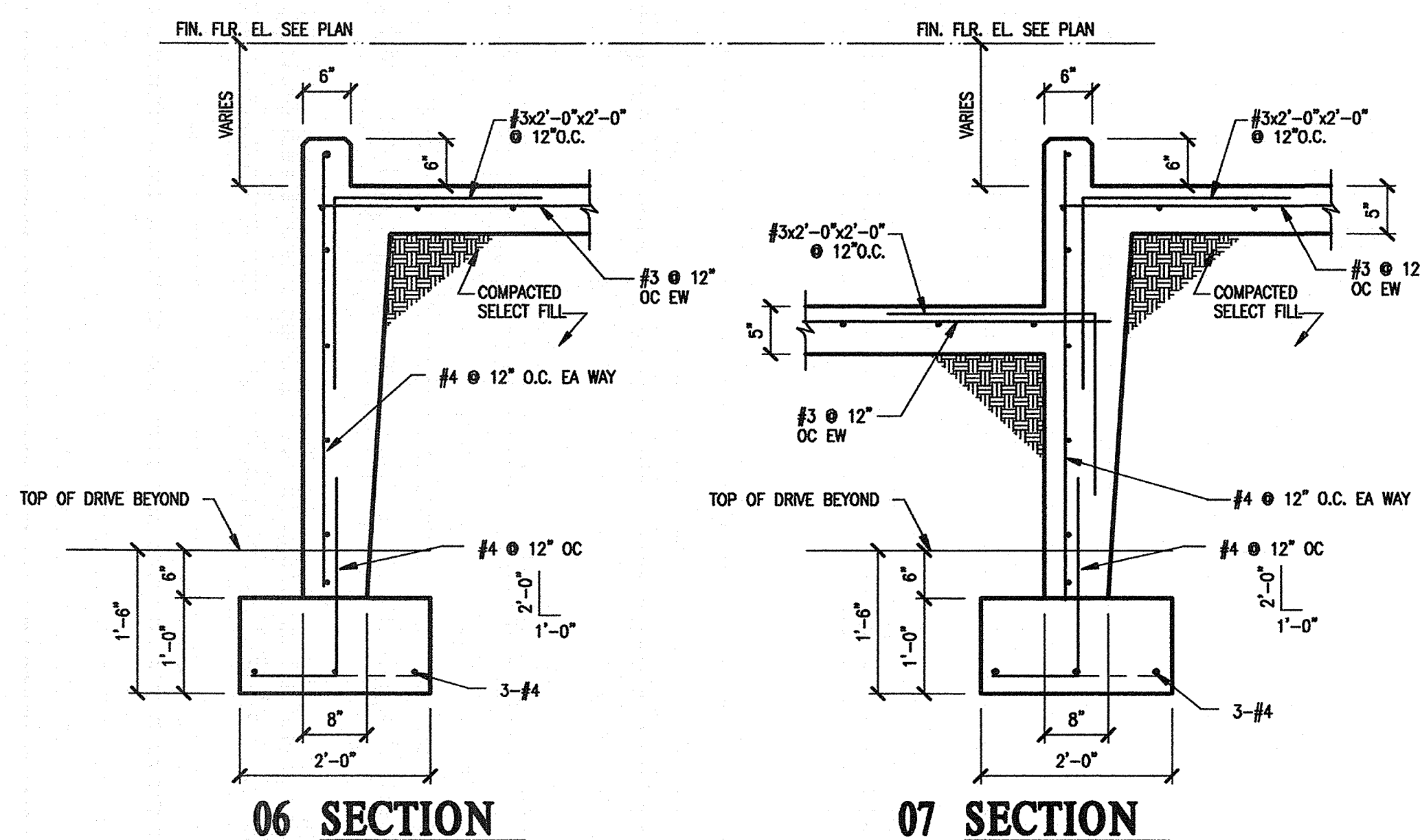


01 LOCATION OF NEW RAMP PLAN
SCALE: 1/8"=1'-0"



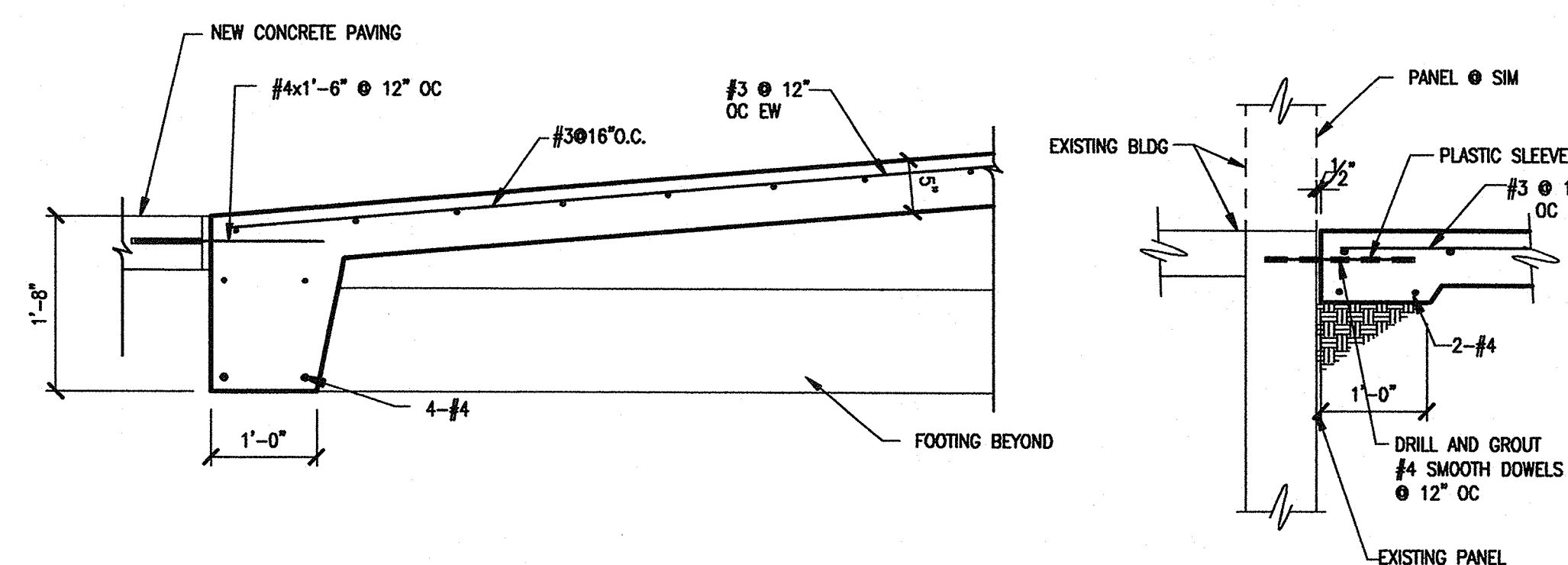
02 SECTION

03 SECTION



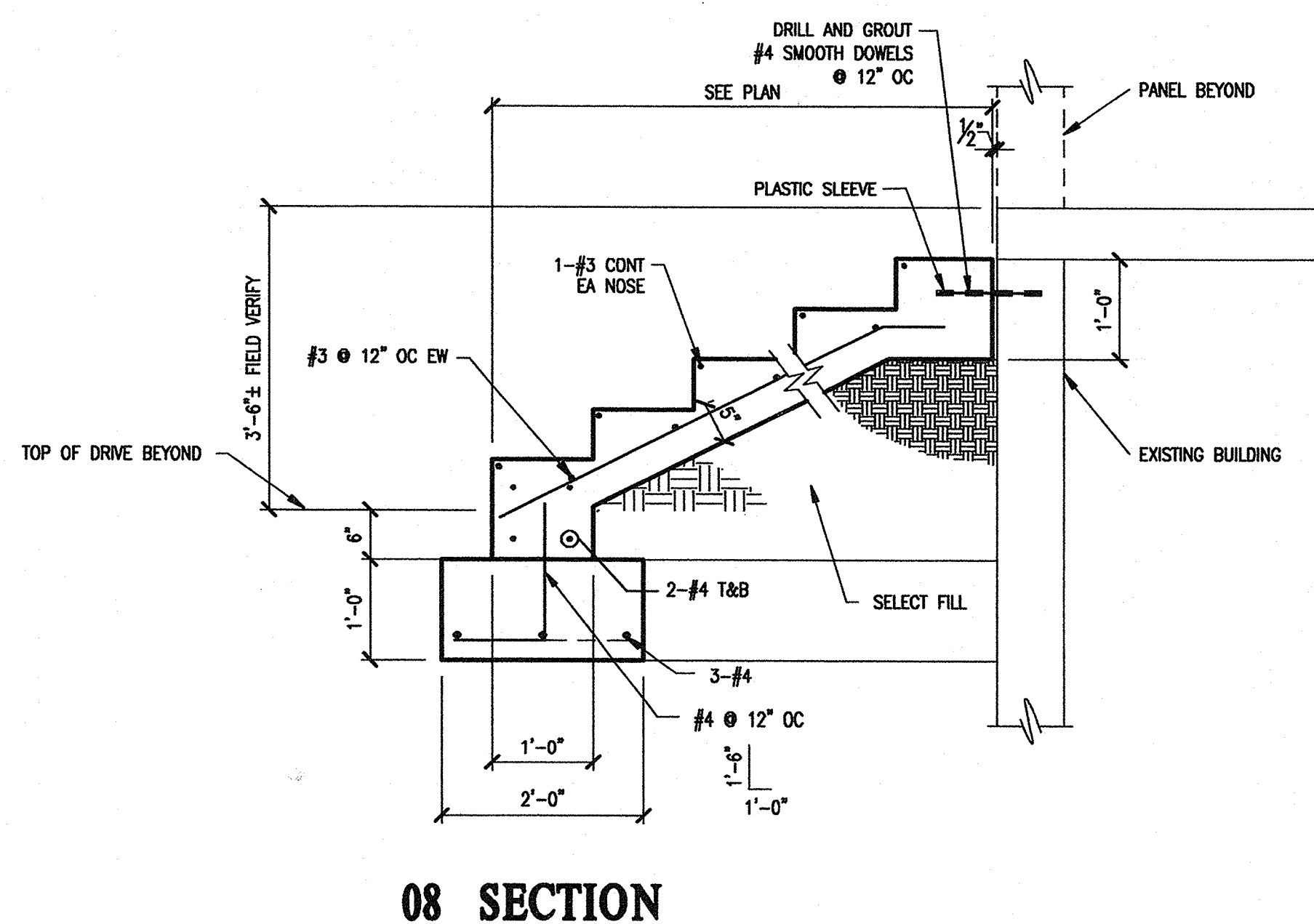
06 SECTION

07 SECTION



04 SECTION

05 SECTION



08 SECTION

STRUCTURAL CONCRETE:

1. TYPICAL CONCRETE SHALL BE HARDROCK CONCRETE WITH A MINIMUM COMPRESSIVE STRENGTH AS SPECIFIED BELOW AT 28 DAYS. FIVE BAGS (470 LBS) MINIMUM OF CEMENT PER CUBIC YARD SHALL BE USED. READY-MIXED CONCRETE SHALL CONFORM TO ASTM C84. MIX DESIGN SHALL INCLUDE LOCATION WHERE CONCRETE IS TO BE USED.

SLAB-ON-GRADE 3000 PSI

2. CONCRETE SLUMPS SHALL BE FIVE INCHES MAXIMUM AND THREE INCHES MINIMUM. CONCRETE SLUMP FOR DRILLED PIERS SHALL BE FIVE INCHES MINIMUM AND SEVEN INCHES MAXIMUM.

3. PORTLAND CEMENT SHALL CONFORM TO ASTM C150. AGGREGATE SHALL CONFORM TO ASTM C39. MAXIMUM AGGREGATE SIZE SHALL BE ONE INCH.

4. ALL CONCRETE WORK SHALL BE DONE IN STRICT ACCORDANCE WITH THE LATEST A.C.I. SPECIFICATIONS.

5. ALL REINFORCING STEEL SHALL BE ASTM A615 GRADE 60.

6. REINFORCING STEEL SHALL BE DESIGNED, DETAILED, FABRICATED AND PLACED IN ACCORDANCE WITH THE LATEST A.C.I. "MANUAL OF STANDARD PRACTICE FOR DETAILING REINFORCED CONCRETE STRUCTURES" (A.C.I. 318) AND THE C.R.S.I. "RECOMMENDED PRACTICE FOR PLACING REINFORCING BARS", LATEST EDITION.

7. REINFORCEMENT SPLICES SHALL LAP A MINIMUM OF 40 BAR DIAMETERS OR 24 INCHES MINIMUM UNLESS OTHERWISE NOTED. BAR SPLICES AT LOCATIONS OF HIGH STRESS ARE NOT PERMITTED. SPLICES SHALL BE APPROVED BY THE STRUCTURAL ENGINEER.

8. PROVIDE SPACERS, CHAIRS, BOLSTERS, TIES AND OTHER ACCESSORIES CONFORMING TO THE REQUIREMENTS OF THE C.R.S.I.

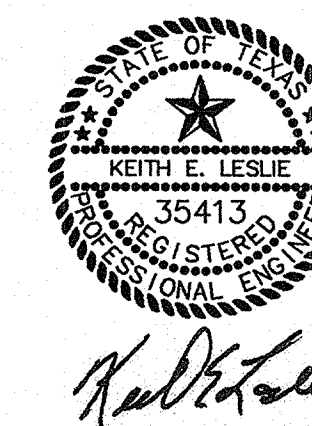
9. NO CALCIUM CHLORIDE SHALL BE PERMITTED IN THE CONCRETE MIX.

10. A MAXIMUM OF 20% FLY ASH MAY BE INCORPORATED IN THE MIX DESIGN.

11. ALL FILL REQUIRED SHALL BE SELECT FILL WITH #1 BETWEEN 5 AND 16 WITH A LIQUID LIMIT BETWEEN 32 AND 38. THE FILL SHALL BE COMPACTED IN EIGHT INCH LIFTS AND BE COMPACTED TO 98% STANDARD PROCTOR DENSITY.

This drawing and the work it represents are the property of TechniStructures, Inc. and are to be used only for the project and location specified. Any reproduction or use for any other project or location without the written consent of TechniStructures, Inc. is strictly prohibited.

Landlord	Date
Customer	Date
PROJECT NO. XX-XXX	
SHEET TITLE:	
DRAWN BY:	CHECKED BY:



2310 LBJ Freeway, Suite 200
 Dallas, Texas 75234
 Phone: 972-884-9292
 Fax: 972-488-9848