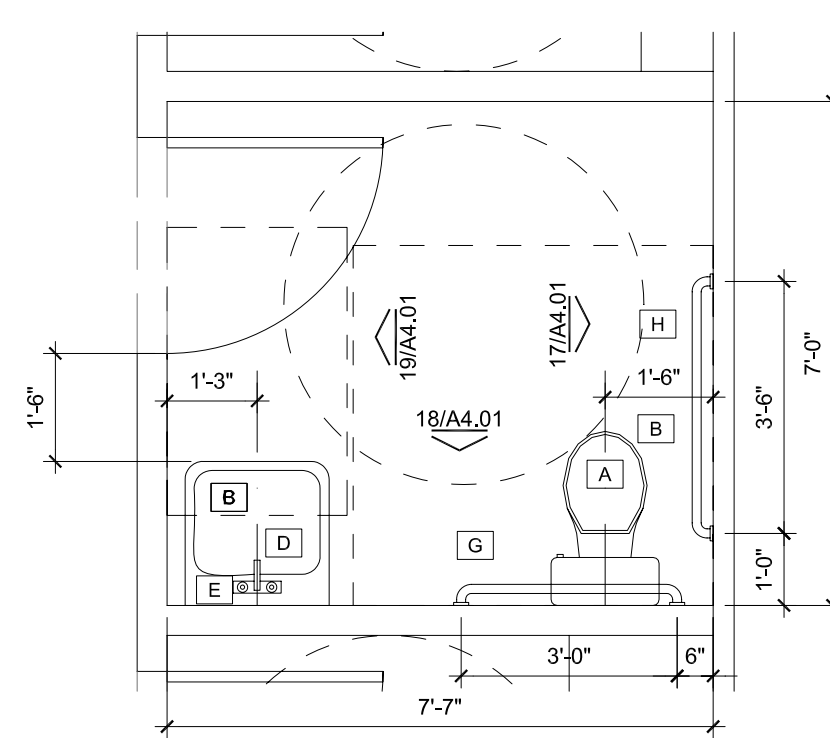
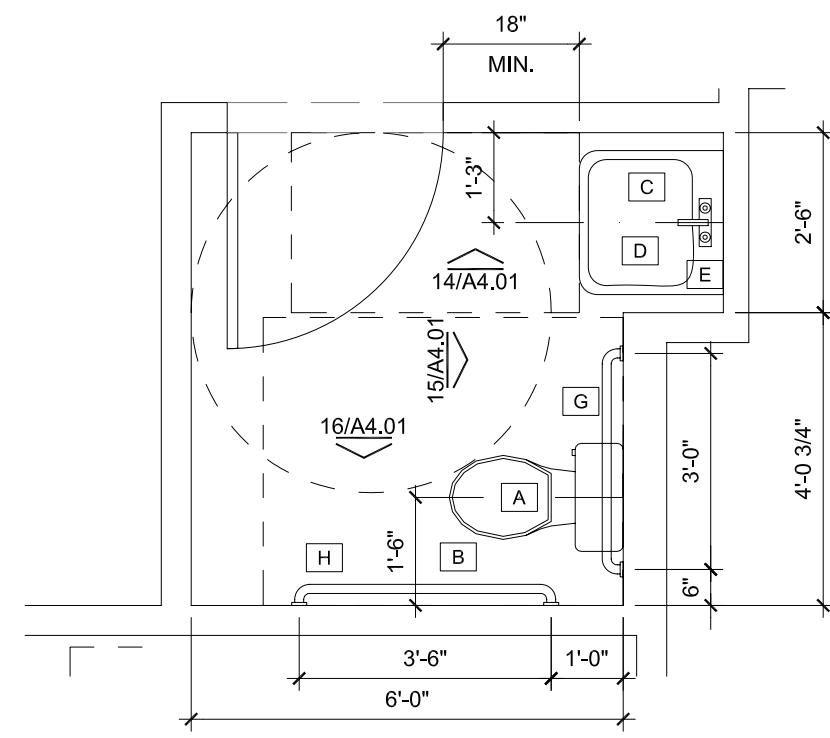
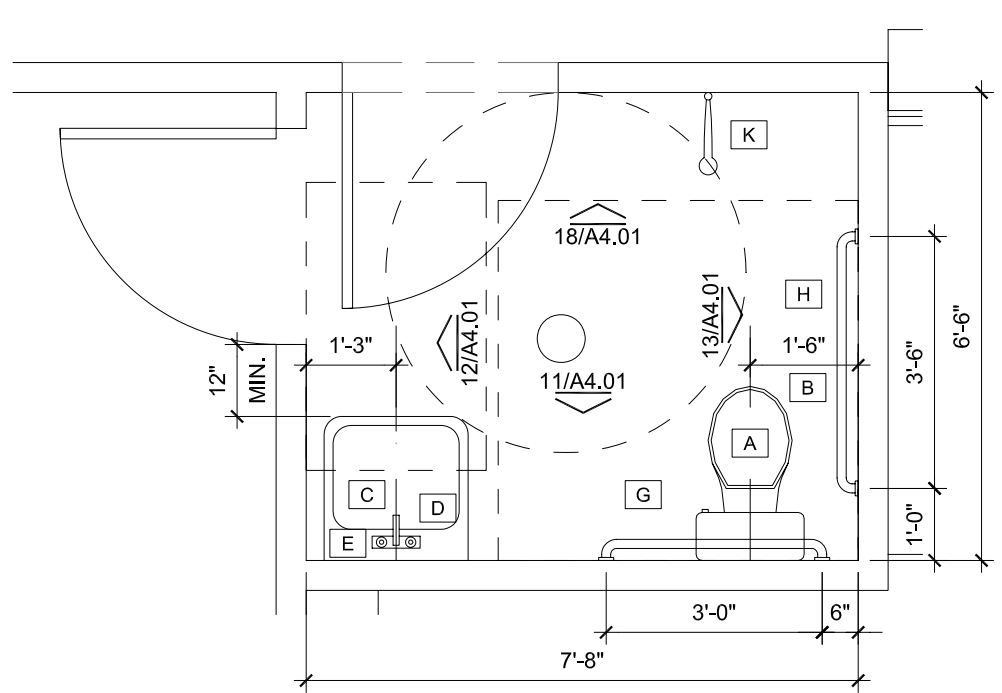
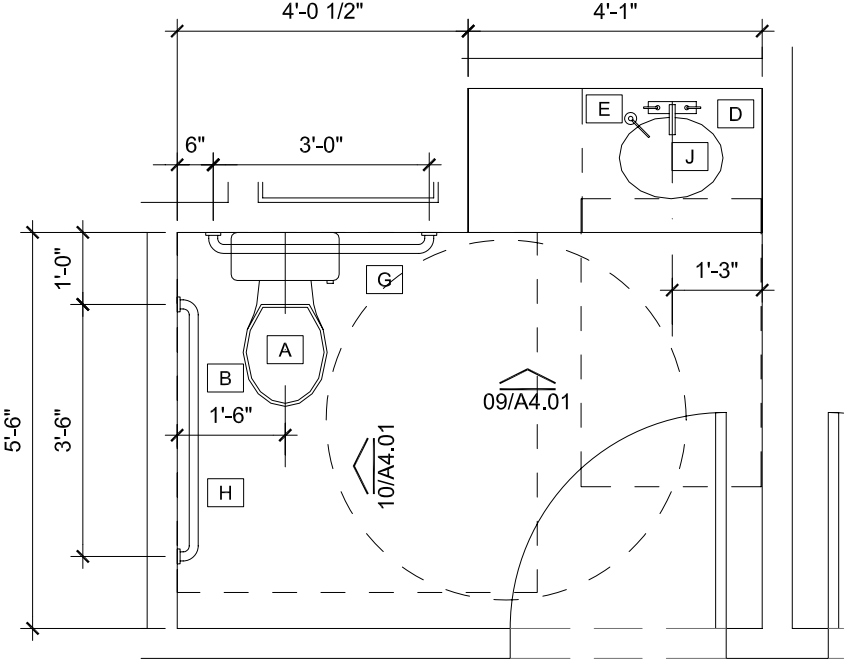
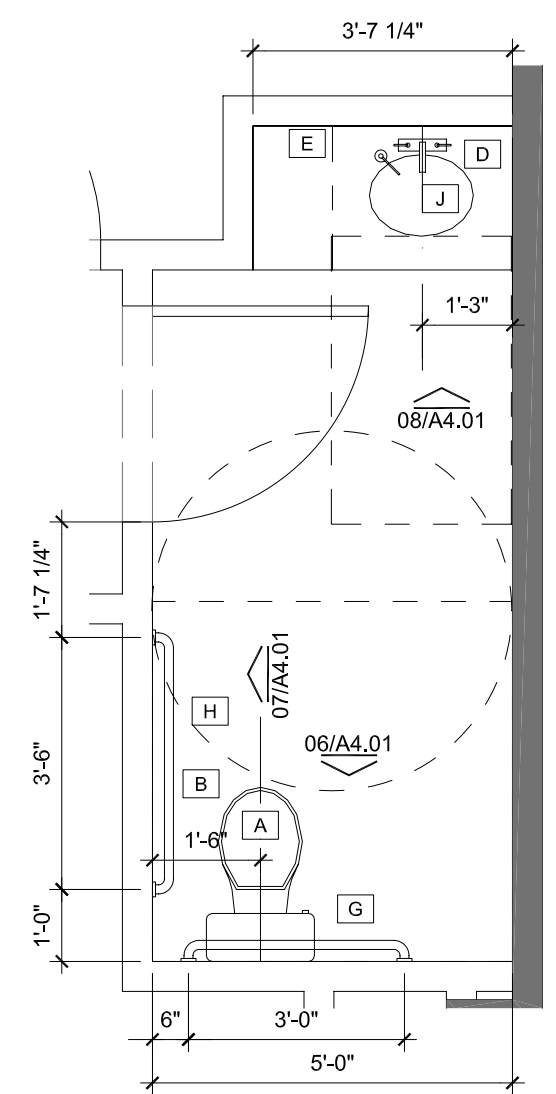


TOILET ACCESSORIES		MTG. HEIGHT	MANUFACTURER	CAT. NO.
A	FLOOR MTD. COLONY ELONGATED TOILET (COLOR: WHITE WITH PLASTIC TOILET SEAT)	17.25" RIM	AMERICAN STANDARD	2359.010/ 5324.019 SEAT
B	TOILET TISSUE DISPENSER	28"	BOBRICK OR EQUAL	B-2888
C	WALL HUNG DECLYN LAVATORY (COLOR: WHITE)	34" KIT	AMERICAN STANDARD	0321.026
D	LAVATORY FAUCET (LEVER)		KOHLER OR EQUAL	MEMOIRS
E	TILT MIRROR		BOBRICK OR EQUAL	B-293-2436
F	WALL MNT. PAPER TOWEL DISPENSER	54" TO TOP	BOBRICK OR EQUAL	B-262
G	36" S.S. GRAB BAR	34"-36"	BOBRICK OR EQUAL	TBD
H	42" S.S. GRAB BAR	34"-36"	BOBRICK OR EQUAL	TBD
J	LAVATORY SINK	34"	KOHLER OR EQUAL	K-2804
K	HAND HELD SHOWER SYSTEM	36"	AMERICAN STANDARD	2064.724 SHOWER SYSTEM KIT



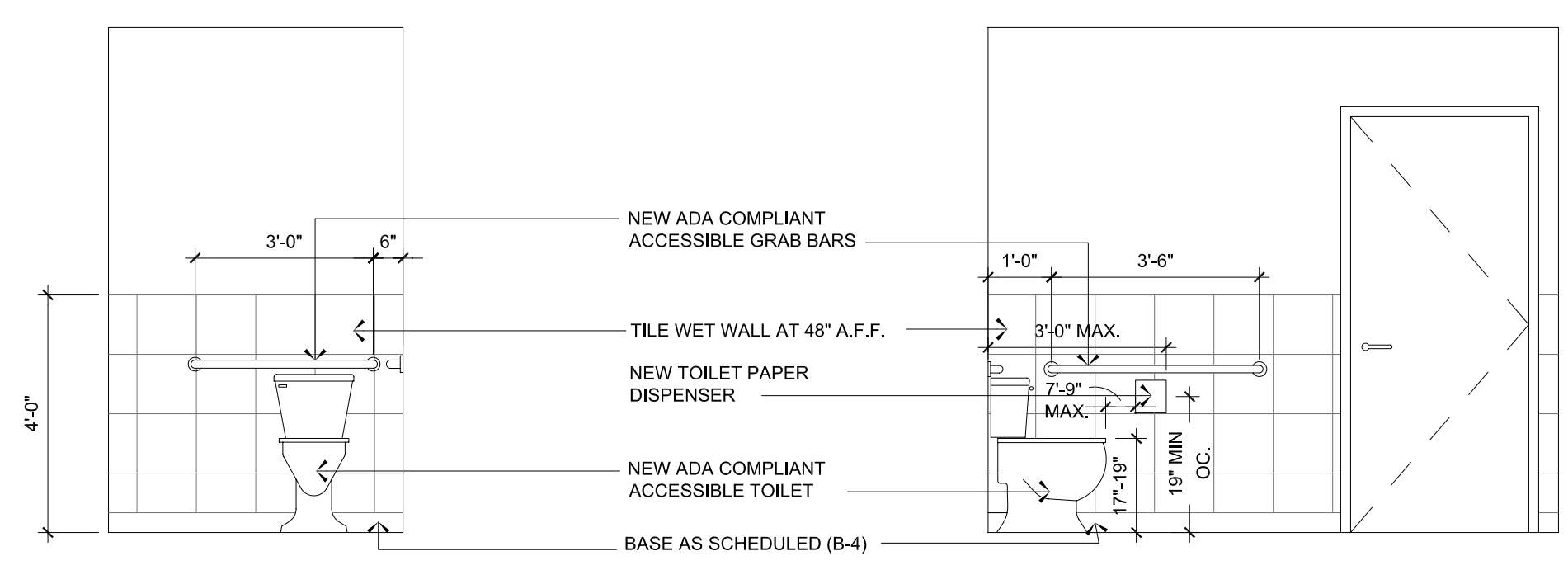
01 ENLARGED STAFF RR #105 3/8"= 1'-0"

02 ENLARGED PATIENT RR #118 3/8"= 1'-0"

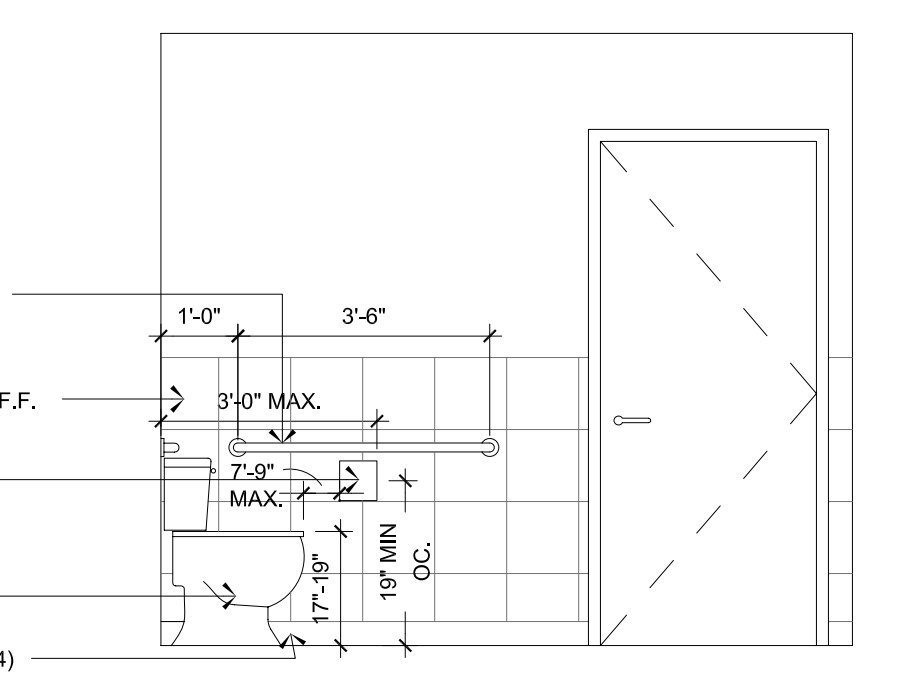
03 ENLARGED STAFF RR #138 3/8"= 1'-0"

04 ENLARGED PATIENT RR #153 3/8"= 1'-0"

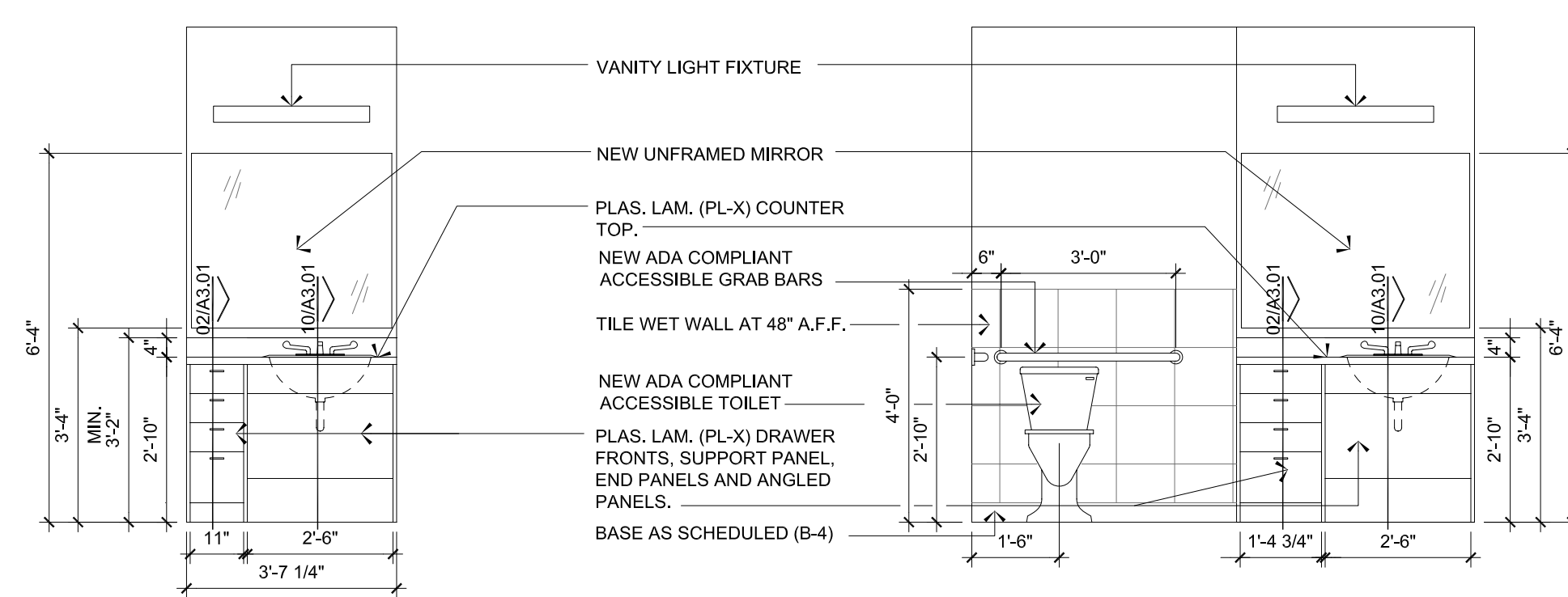
05 ENLARGED RR #105 LUCY PETERSON SUITE 3/8"= 1'-0"



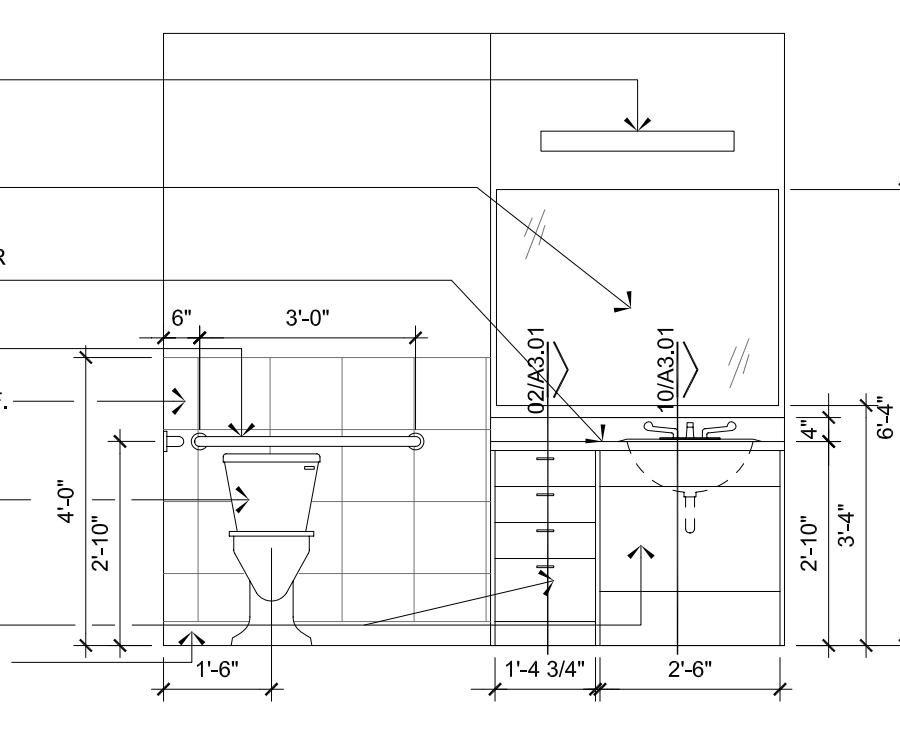
06 ELEVATION @ STAFF RR #105 3/8"= 1'-0"



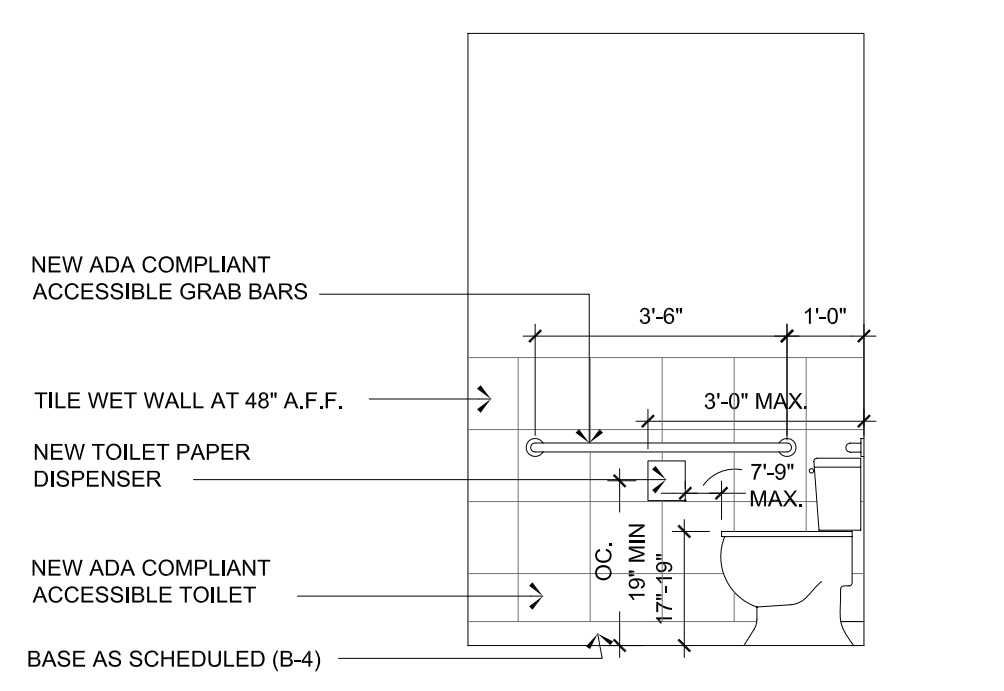
07 ELEVATION @ STAFF RR #105 3/8"= 1'-0"



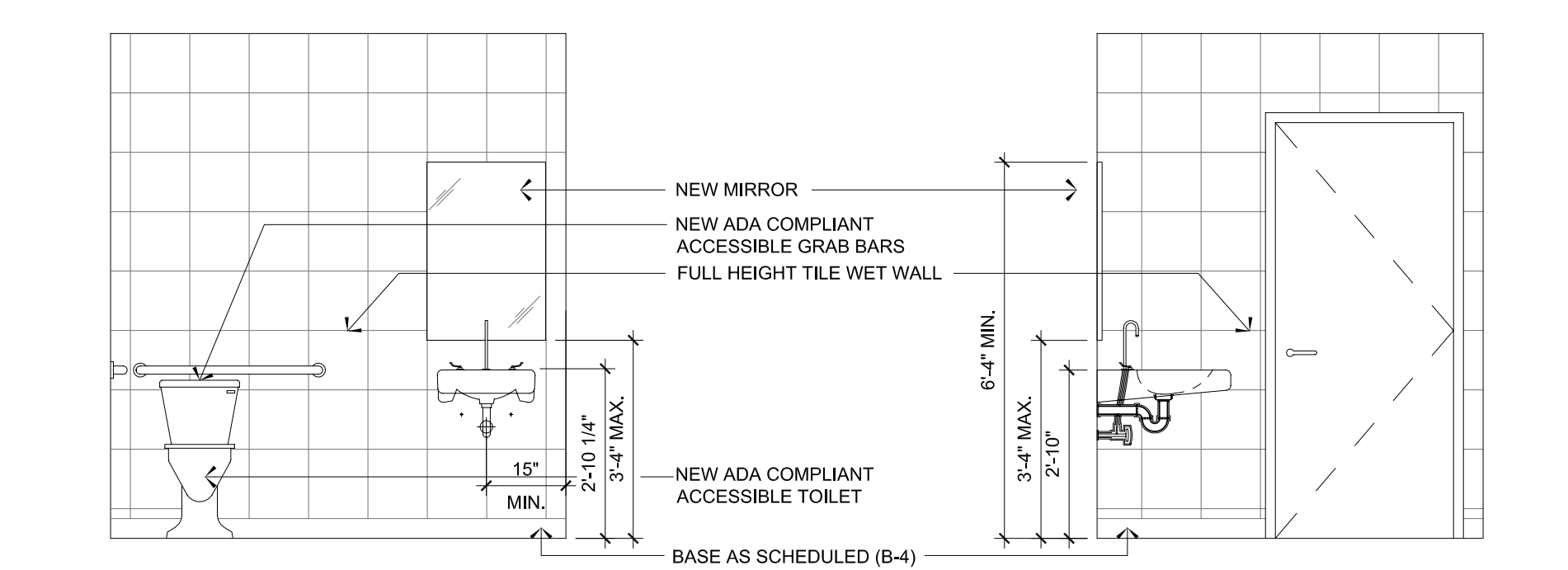
08 ELEVATION @ STAFF RR #105 3/8"= 1'-0"



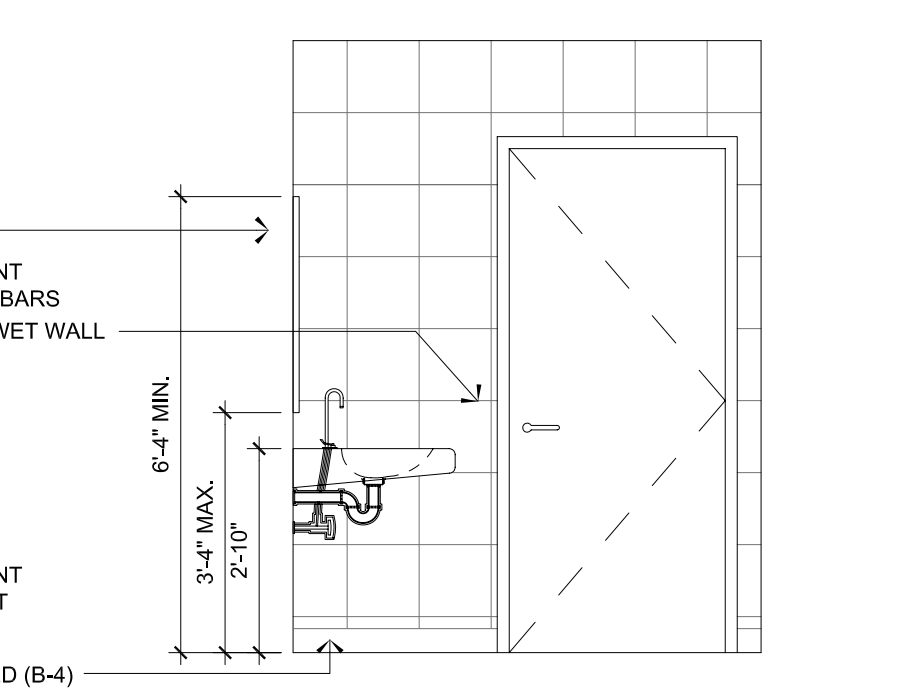
09 ELEVATION @ PATIENT RR #118 3/8"= 1'-0"



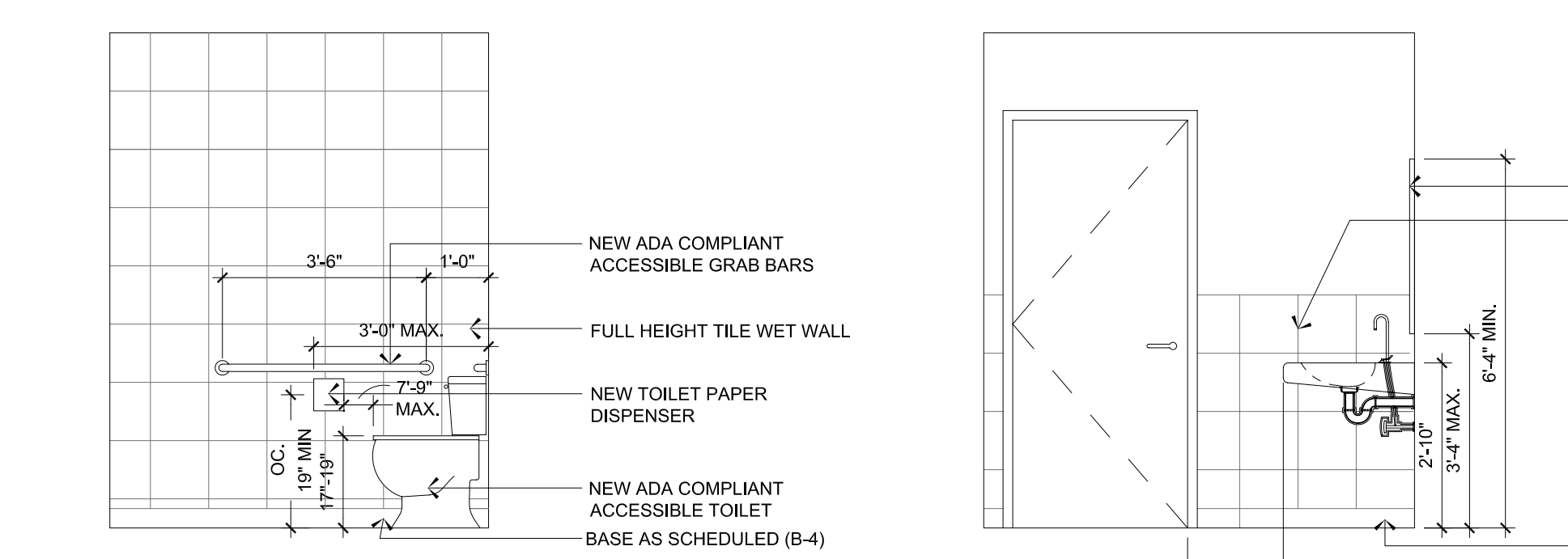
10 ELEVATION @ PATIENT RR #118 3/8"= 1'-0"



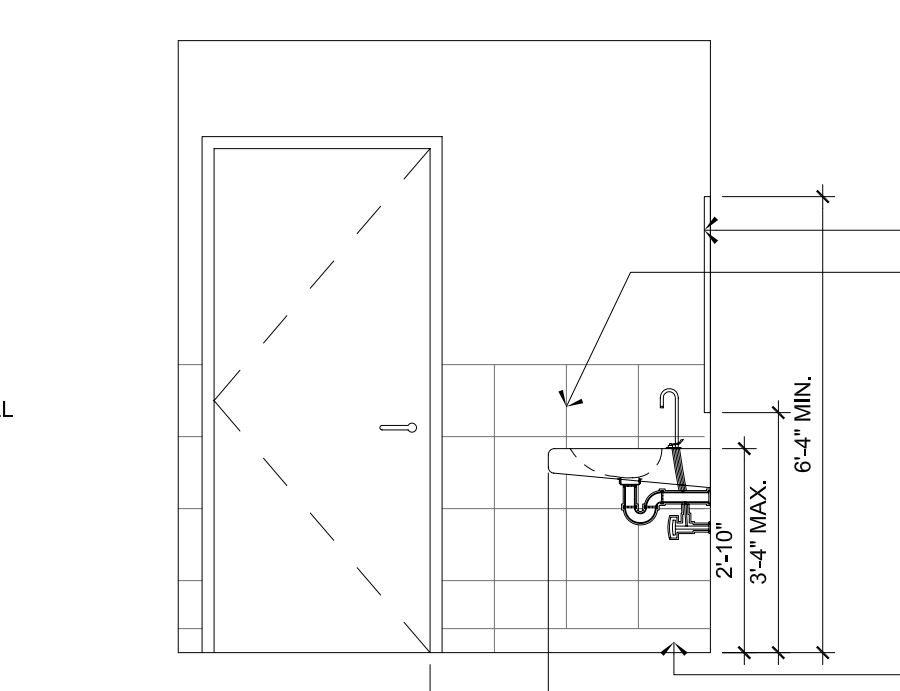
11 ELEVATION @ STAFF RR #138 3/8"= 1'-0"



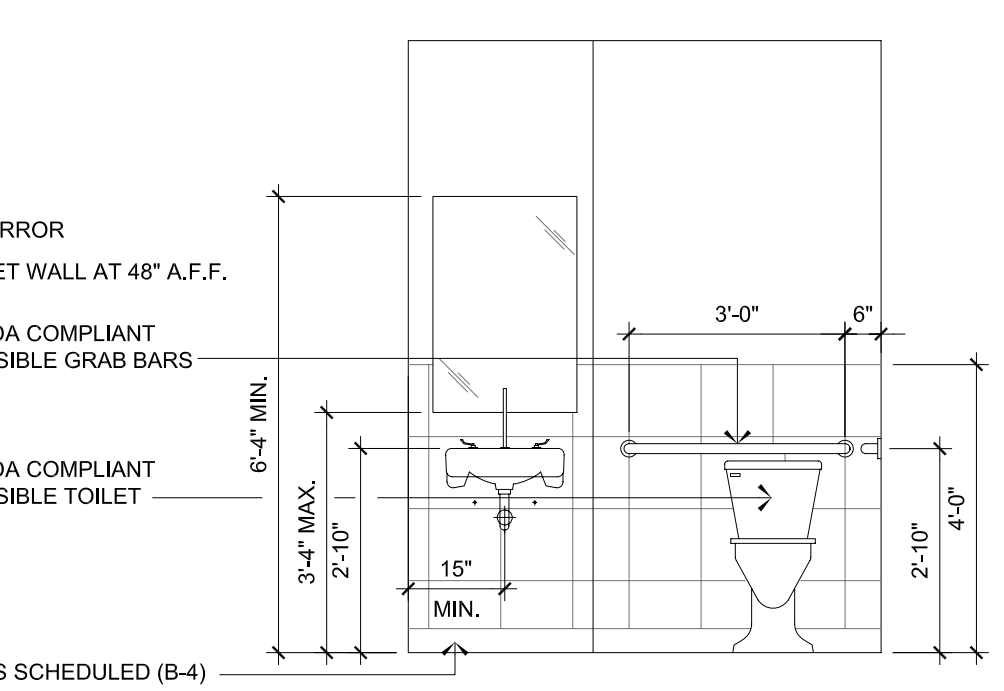
12 ELEVATION @ STAFF RR #138 3/8"= 1'-0"



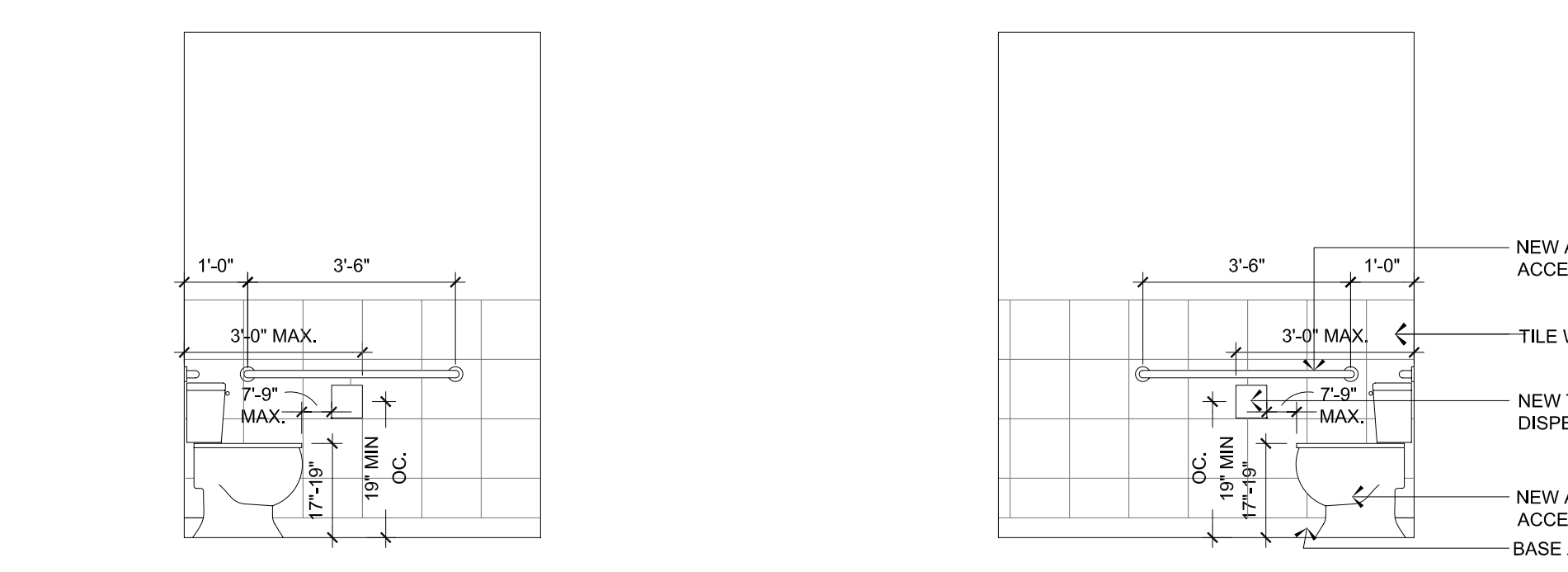
13 ELEVATION @ STAFF RR #138 3/8"= 1'-0"



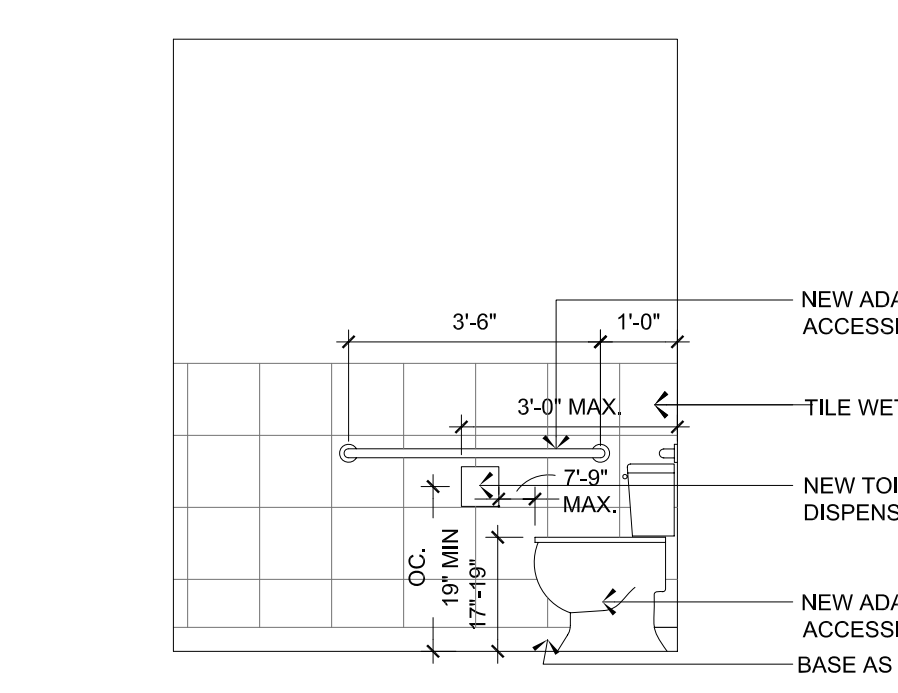
14 ELEVATION @ PATIENT RR #153 3/8"= 1'-0"



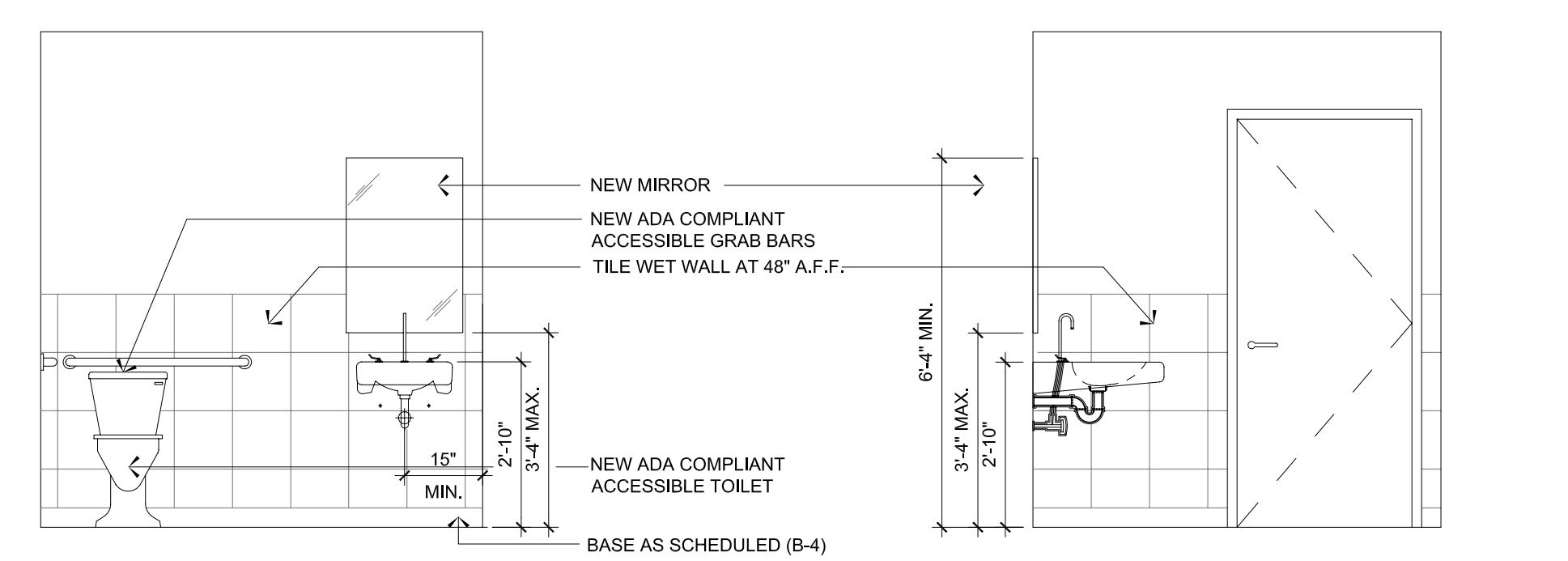
15 ELEVATION @ PATIENT RR #153 3/8"= 1'-0"



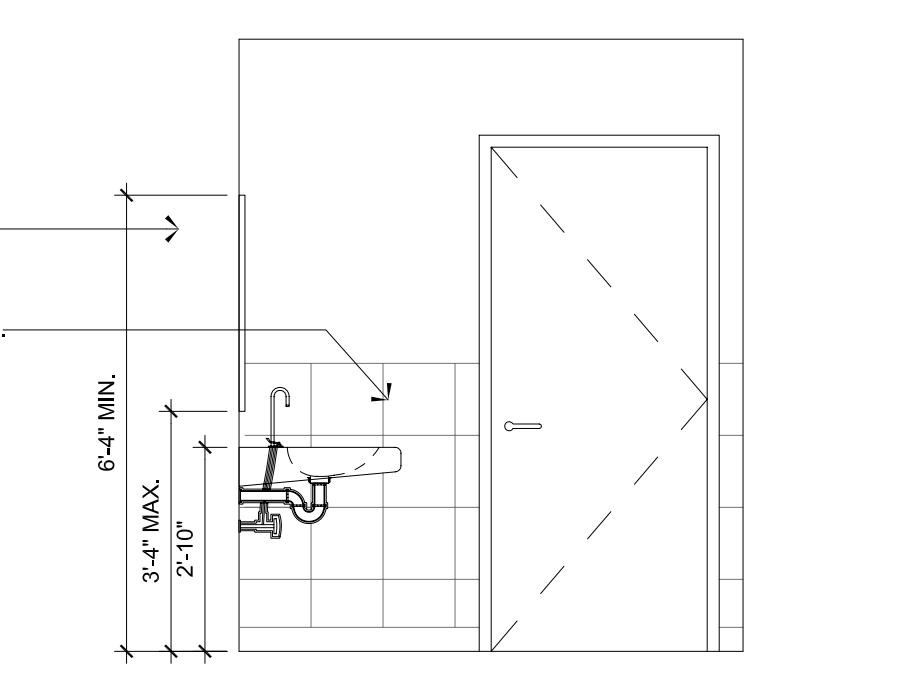
16 ELEVATION @ PATIENT RR #153 3/8"= 1'-0"



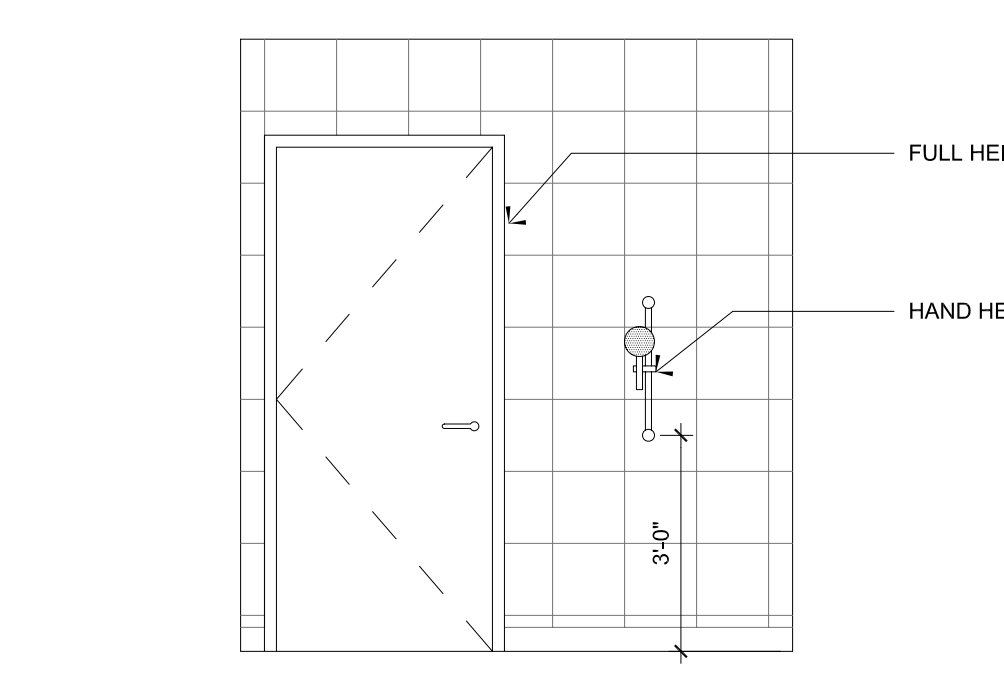
17 ELEVATION @ RR #105 LUCY PETERSON SUITE 3/8"= 1'-0"



17 ELEVATION @ RR #105 LUCY PETERSON SUITE 3/8"= 1'-0"



17 ELEVATION @ RR #105 LUCY PETERSON SUITE 3/8"= 1'-0"



08 ELEVATION @ STAFF RR #138 3/8"= 1'-0"

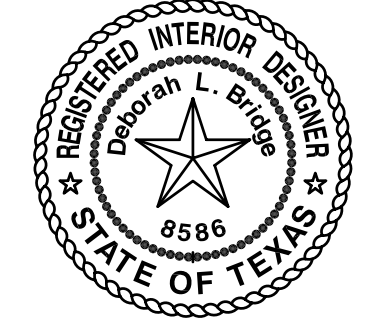
PROJECT:
DERMATOLOGY CONSULTANTS
 RHD MEDICAL PLAZA IV
 9 MEDICAL PARKWAY
 SUITES #105 & 106
 DALLAS, TX 75234
 7,822 U.S.F.

ARCHITECT / INTERIOR DESIGNER



3311 Elm Street, Suite 105
 Dallas, Texas 75226
 214-742-6044
 214-742-6041 Fax

ARCHITECTS / INTERIOR DESIGNER'S SEAL:



Lucy Peterson
 SIGNATURE
 06-27-08
 SEALED

CONSULTANT:

ISSUE HISTORY:

FOR TENANT REVIEW	04-24-08
FOR TENANT REVIEW	06-27-08
FOR BID	06-27-08
FOR TAS REVIEW	06-27-08
FOR PERMIT	06-27-08
FOR CONSTRUCTION	07-25-08

DRAWING INFO:
 FILE: 08-085 A4.00.dwg
 CURRENT ISSUE: 7/25/08
 DRAWN BY: ealicea
 CHECKED BY: DB

SHEET NUMBER:
ENLARGED RESTROOM & ELEVATIONS A4.01

G:\RHD Metrocrest Hospital\Plaza IV\08-085 Dermatology Consultants Floor 1\06 Contract Documents\Architectural\08-085 A4.00.dwg 7/25/08 10:51 AM ealicea