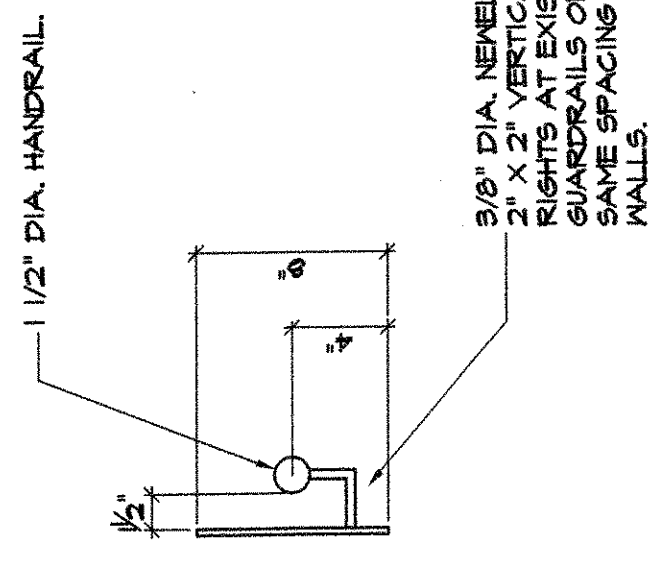
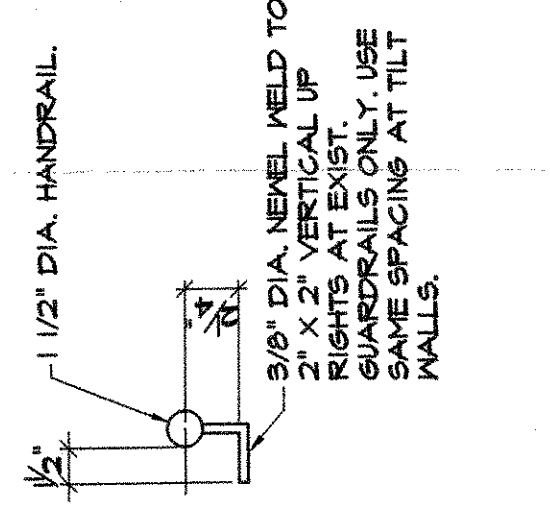


**1** ELEVATION

SCALE: 1/2"=1'-0"



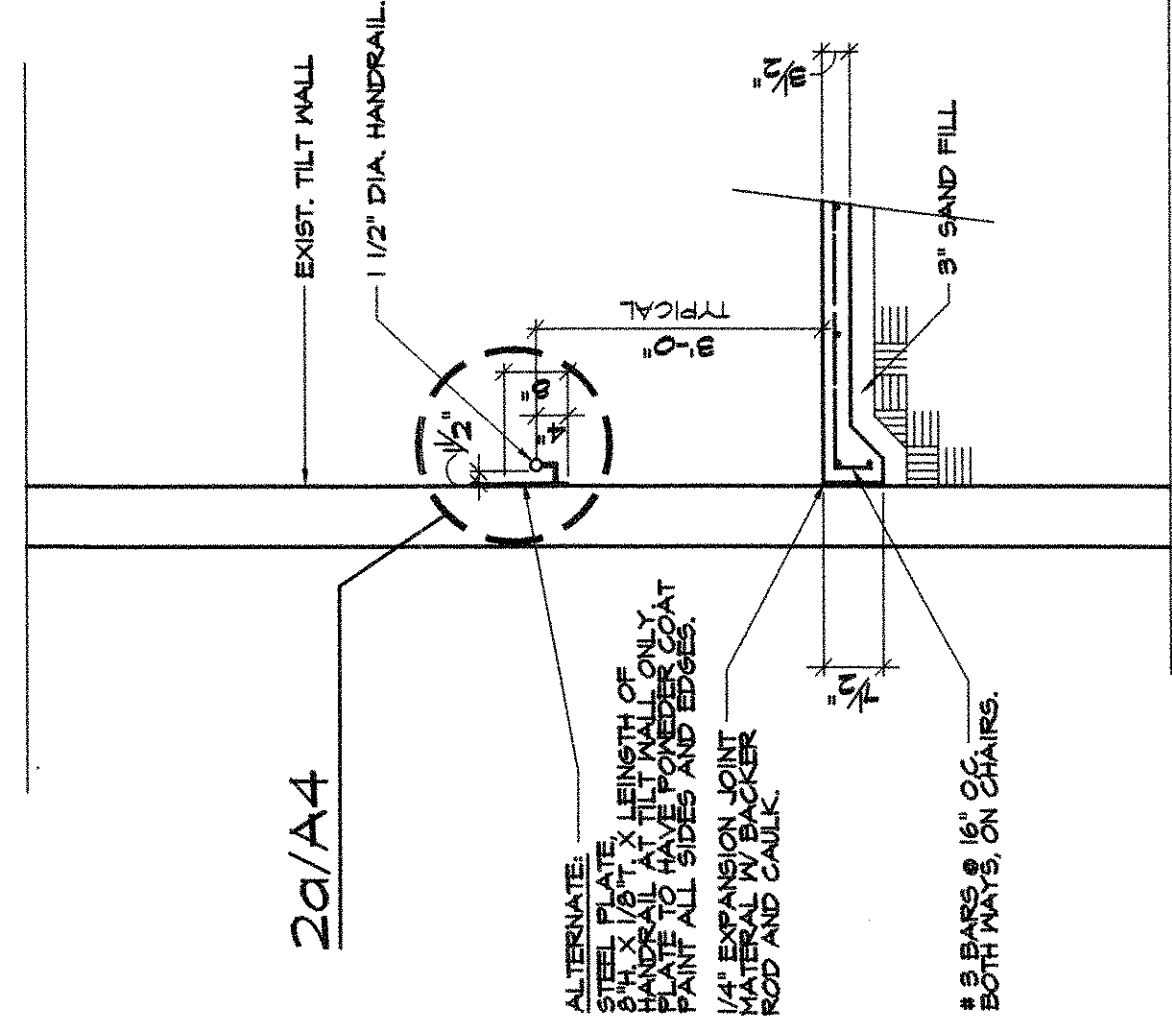
**a** HANDRAIL DETAILS



**b** HANDRAIL DETAILS

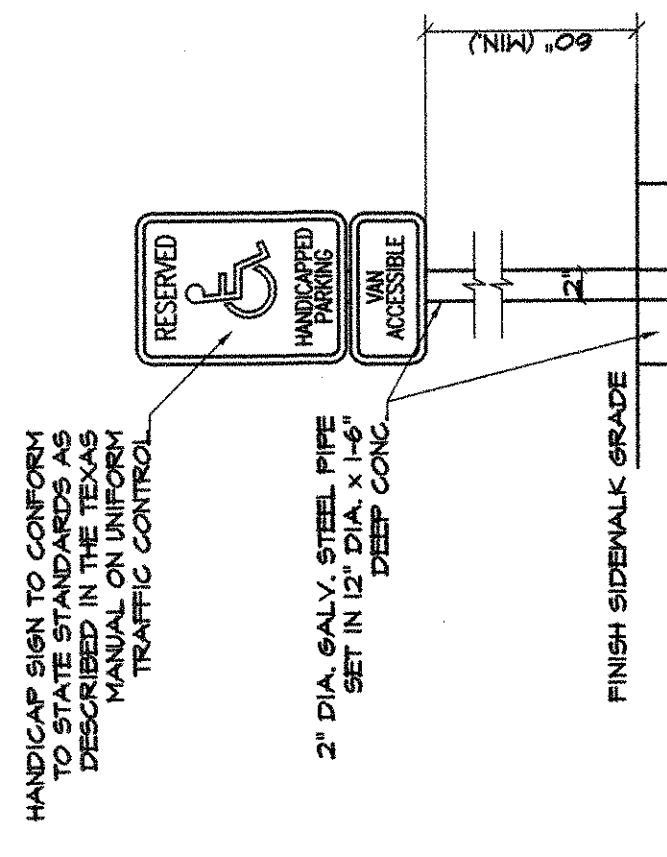
**2** DETAILS

SCALE: 6"=1'-0"



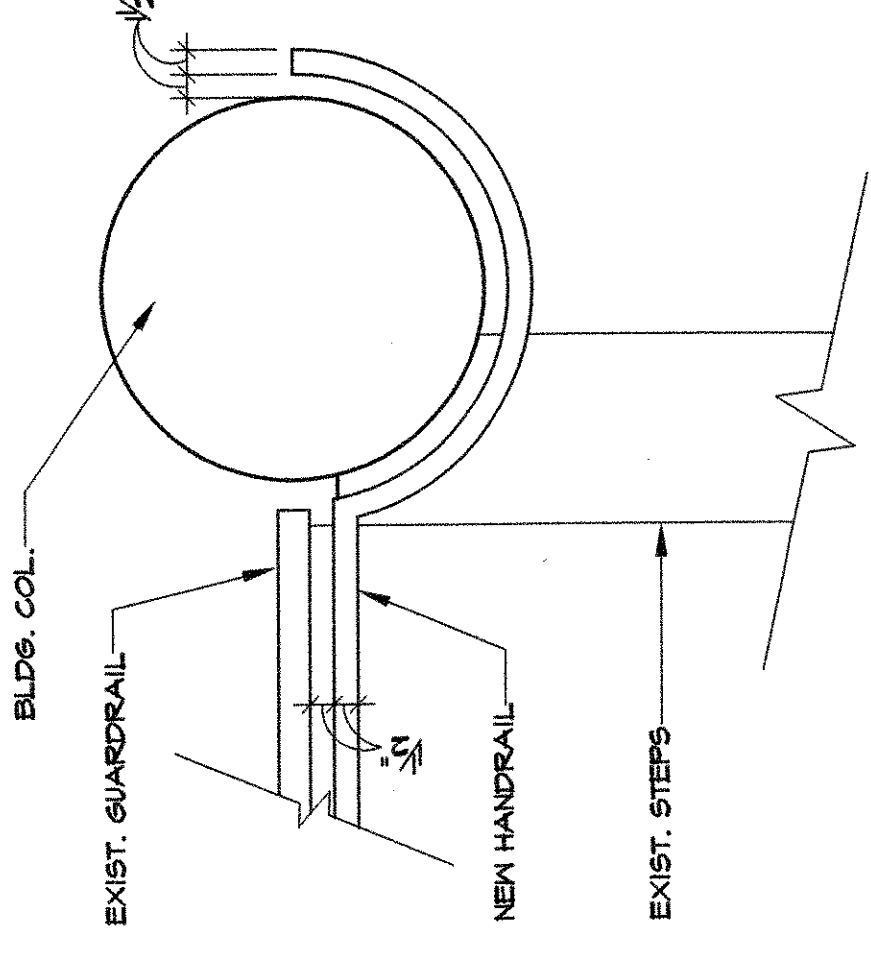
**4** SECTIONS

SCALE: 1/2"=1'-0"



**7** ELEVATION

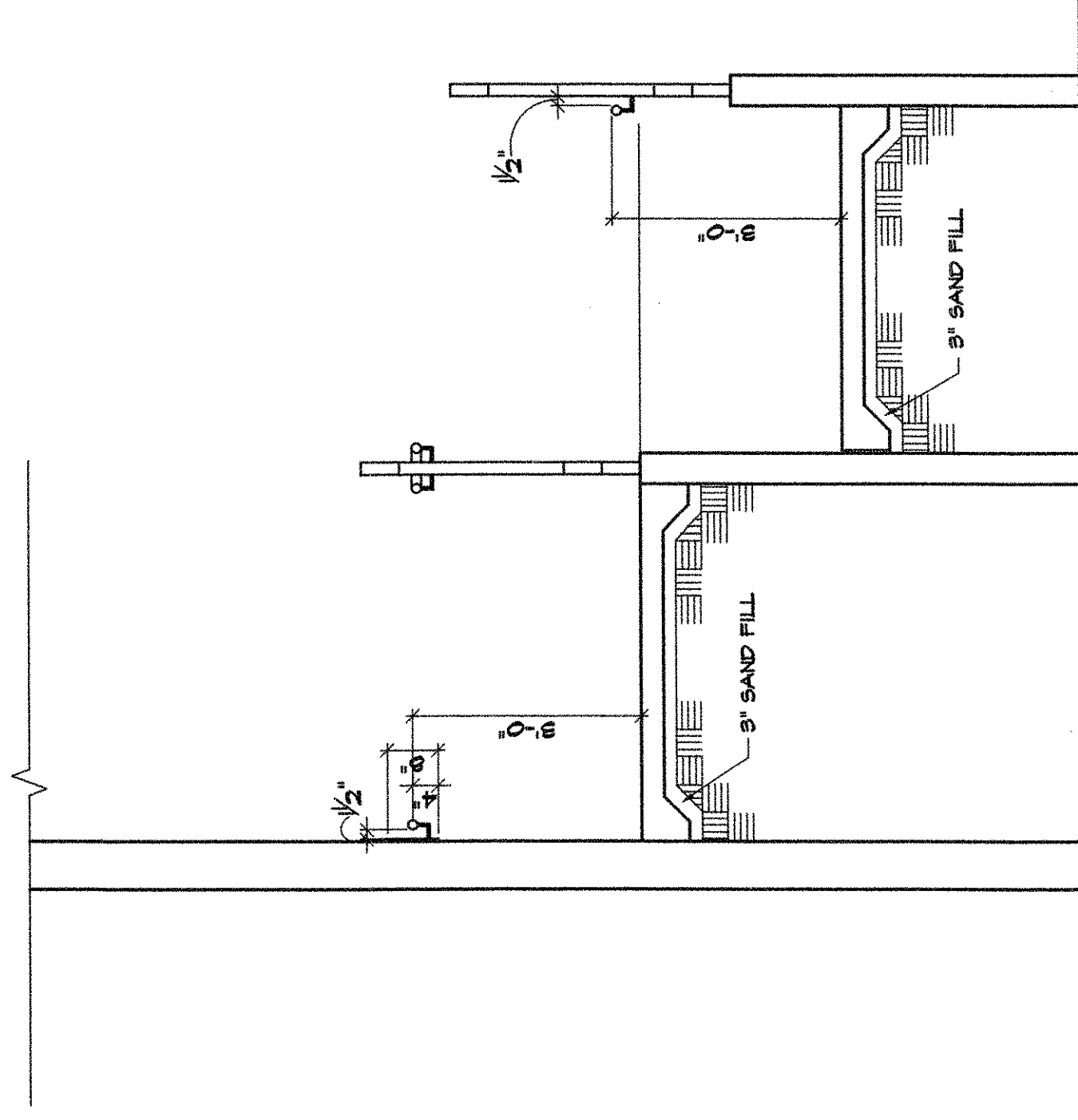
SCALE: 1/2"=1'-0"



**a** HANDRAIL DETAILS

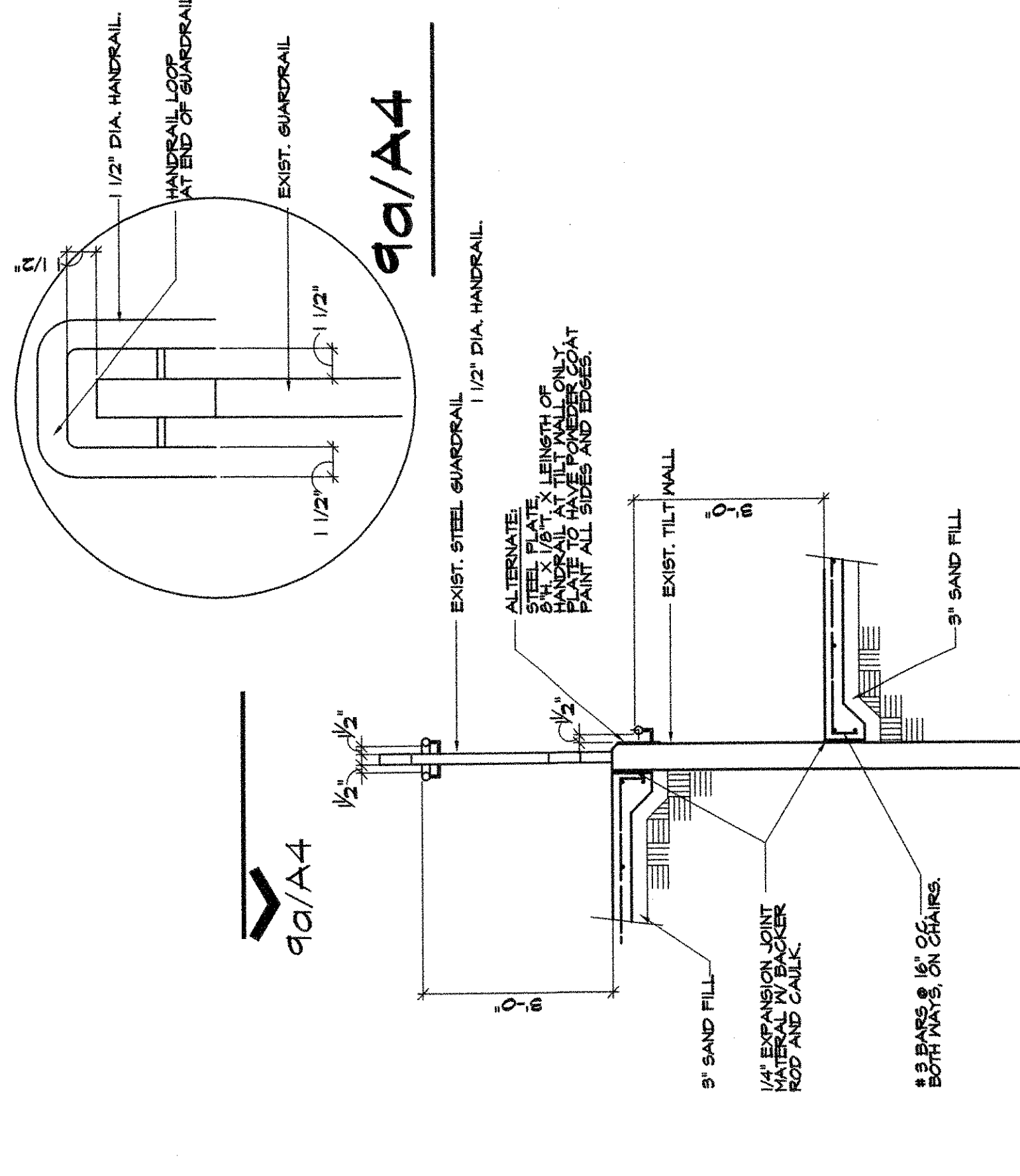
**3** SECTION

SCALE: 6"=1'-0"



**6** SECTION

SCALE: 1/2"=1'-0"



**9** SECTIONS

SCALE: 1/2"=1'-0"

STATEMENT OF JURISDICTION: THE ARCHITECT HAS BEEN ADVISED BY THE CLIENT THAT THE PROJECT IS SUBJECT TO THE JURISDICTION OF THE ARCHITECT'S PROFESSIONAL BOARD OF ARCHITECTS IN THE STATE OF TEXAS. THE ARCHITECT HAS BEEN ADVISED BY THE CLIENT THAT THE PROJECT IS SUBJECT TO THE JURISDICTION OF THE ARCHITECT'S PROFESSIONAL BOARD OF ARCHITECTS IN THE STATE OF TEXAS. THE ARCHITECT HAS BEEN ADVISED BY THE CLIENT THAT THE PROJECT IS SUBJECT TO THE JURISDICTION OF THE ARCHITECT'S PROFESSIONAL BOARD OF ARCHITECTS IN THE STATE OF TEXAS.

PLANARC ARCHITECTURAL DESIGN GROUP, INC.  
 PAT BOONER  
 MIKE J. STONE  
 2720 N. Stemmons Freeway, Ste. 1001  
 Dallas, TX 75207 214/894-0294 Fax: 214/894-0298  
 E-MAIL: planarc@planarc.com

MARKETING REPRESENTATIVE  
**GOODWIN**  
 WESTFORK COMPLEX  
 ADDRESS 1475-1555 AVENUE S  
 CITY GRAND PRAIRIE  
 DRAWN BY  
 PROJECT / NO. 11-19-2009  
 JOB NO. 09031  
 SHEET **A4** of FOUR