



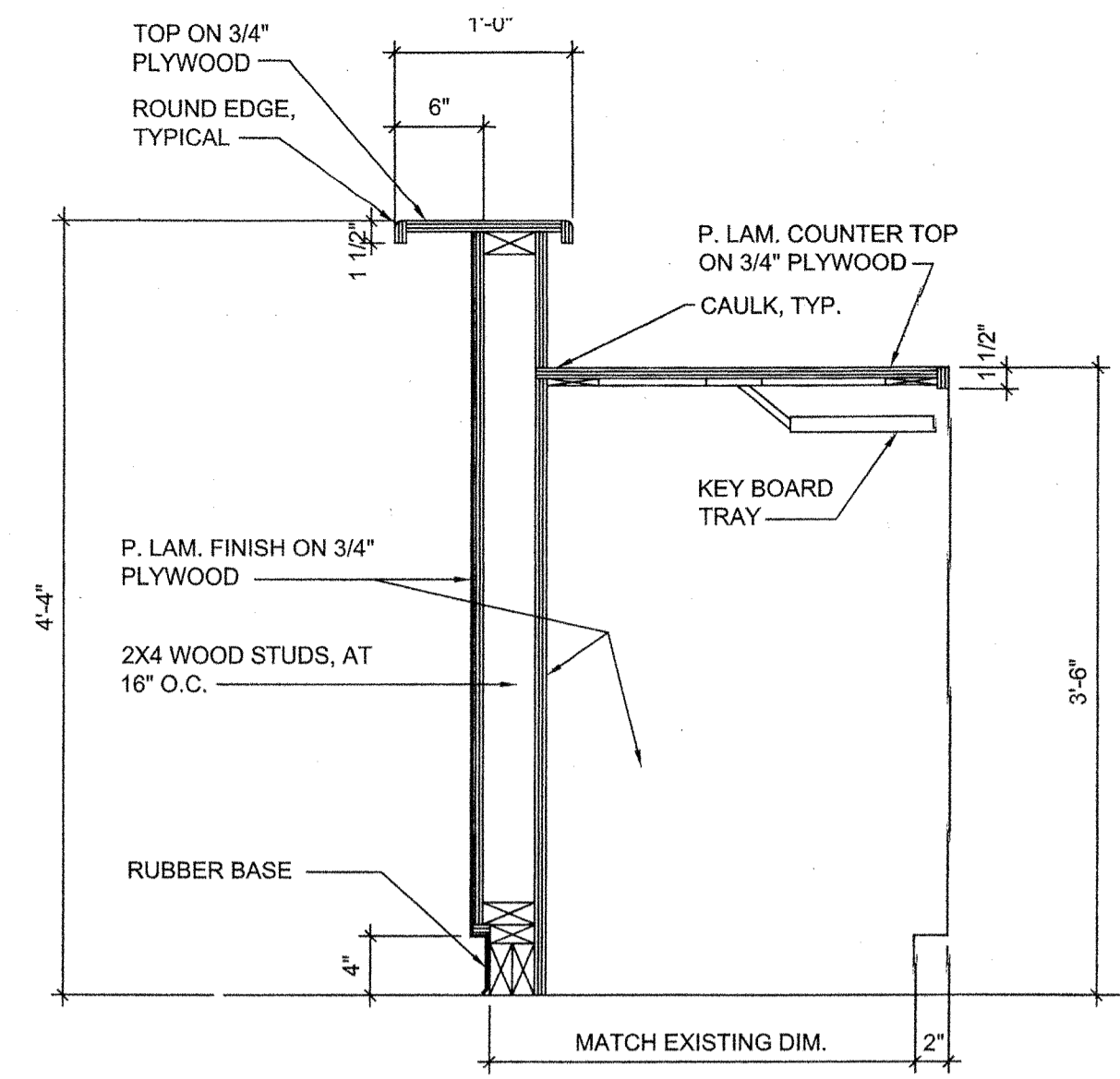
REVISIONS:

FILE: A3.20-PWT0801
PROJ: PR-0904
DATE: 09-01-2009
DWG BY: JKU
CHK BY: ARB

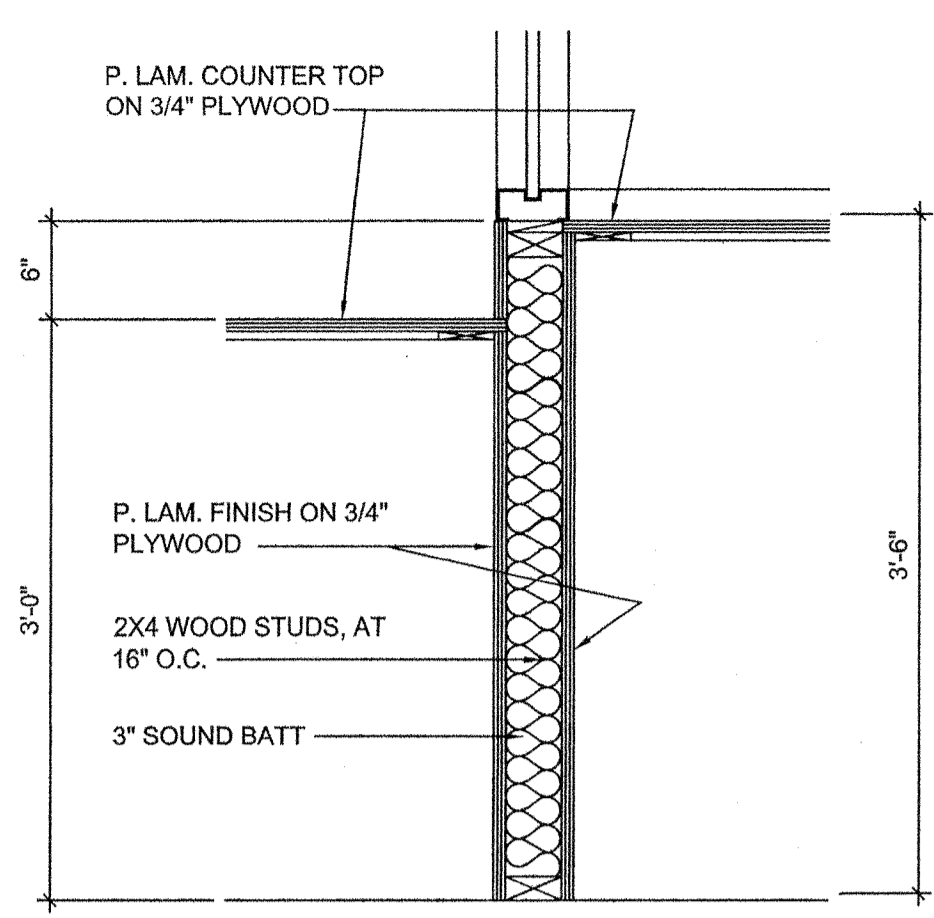


CABINET
ELEVATIONS AND
DETAILS
SHEET 3 OF 3

A2.10

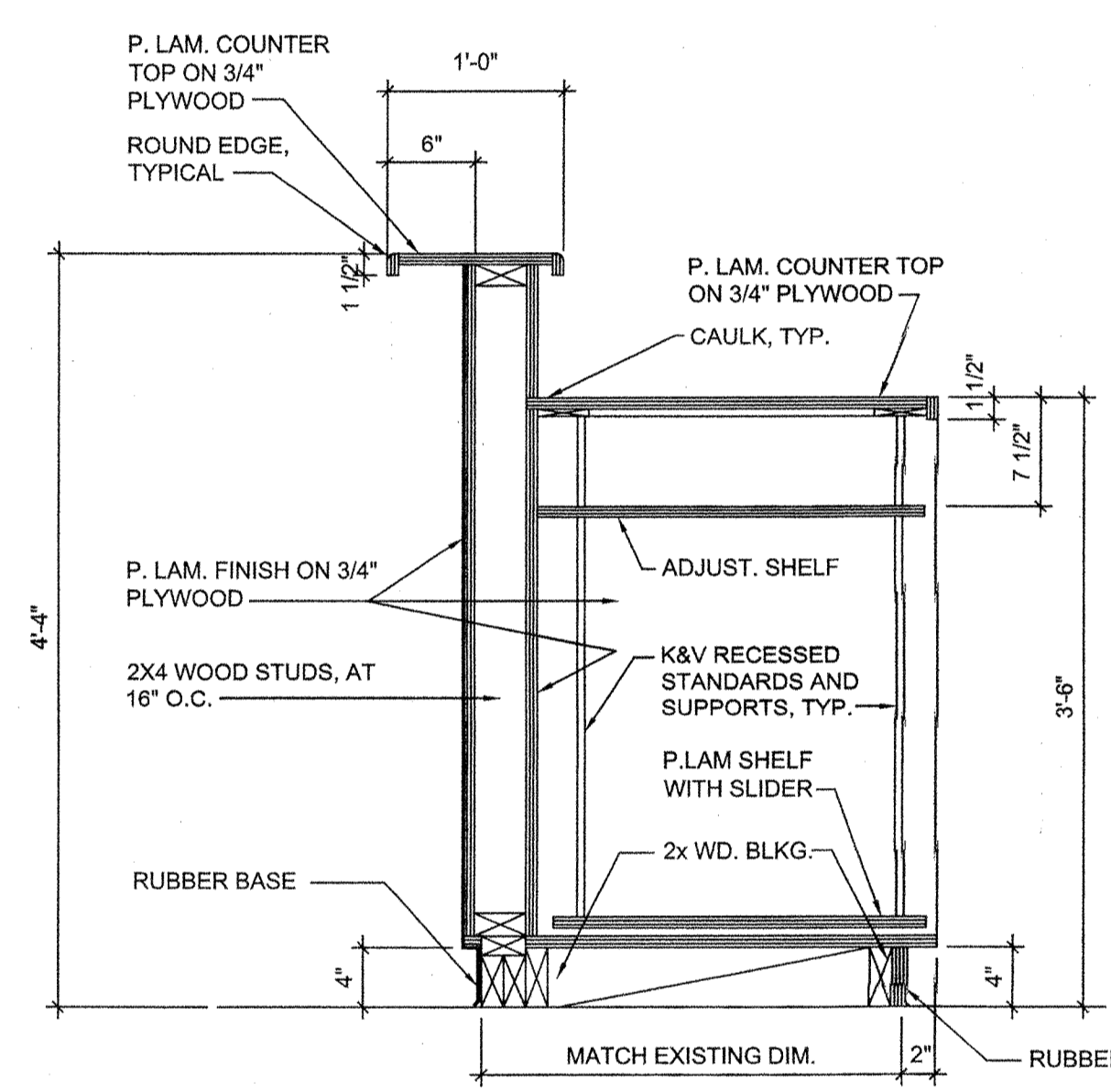


6 CAB. SECTION
SCALE: 1" = 1'-0"

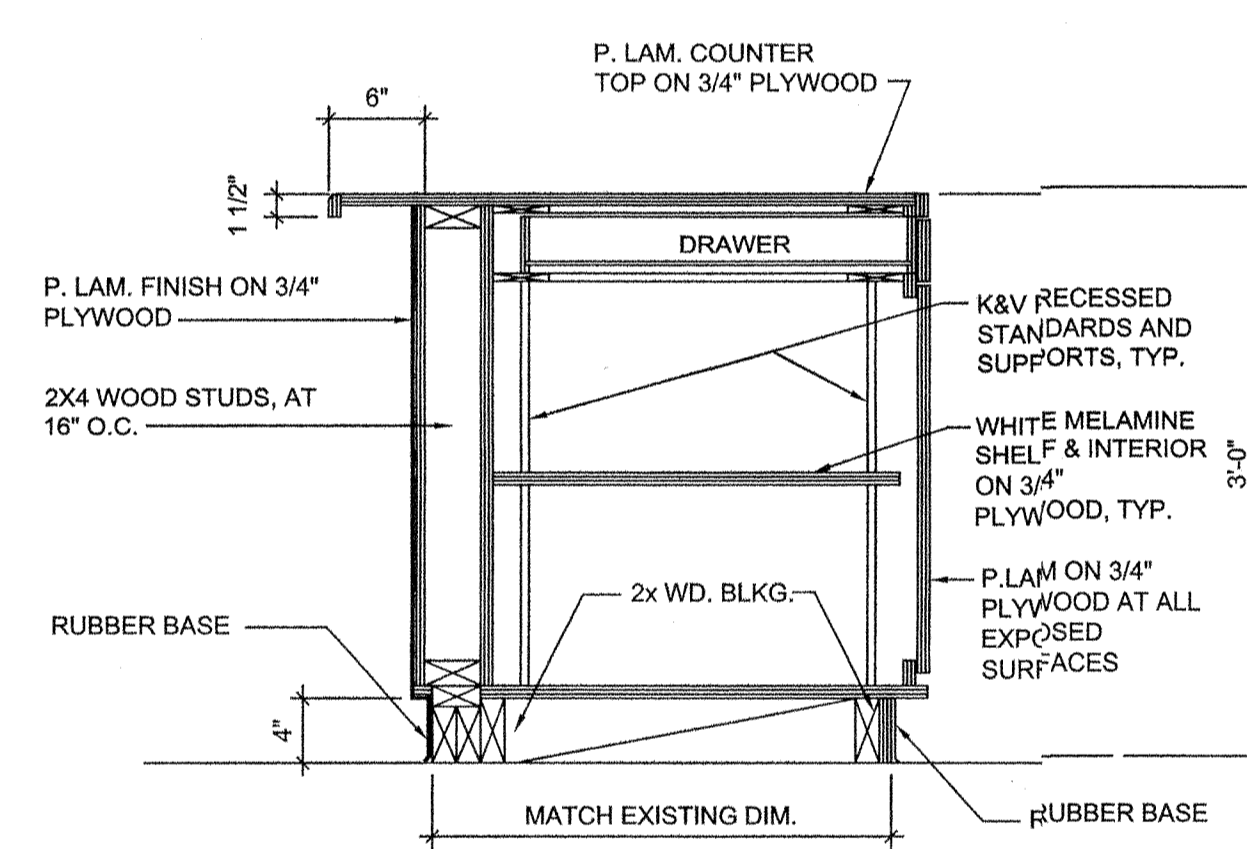


11 CAB. SECTION
SCALE: 1" = 1'-0"

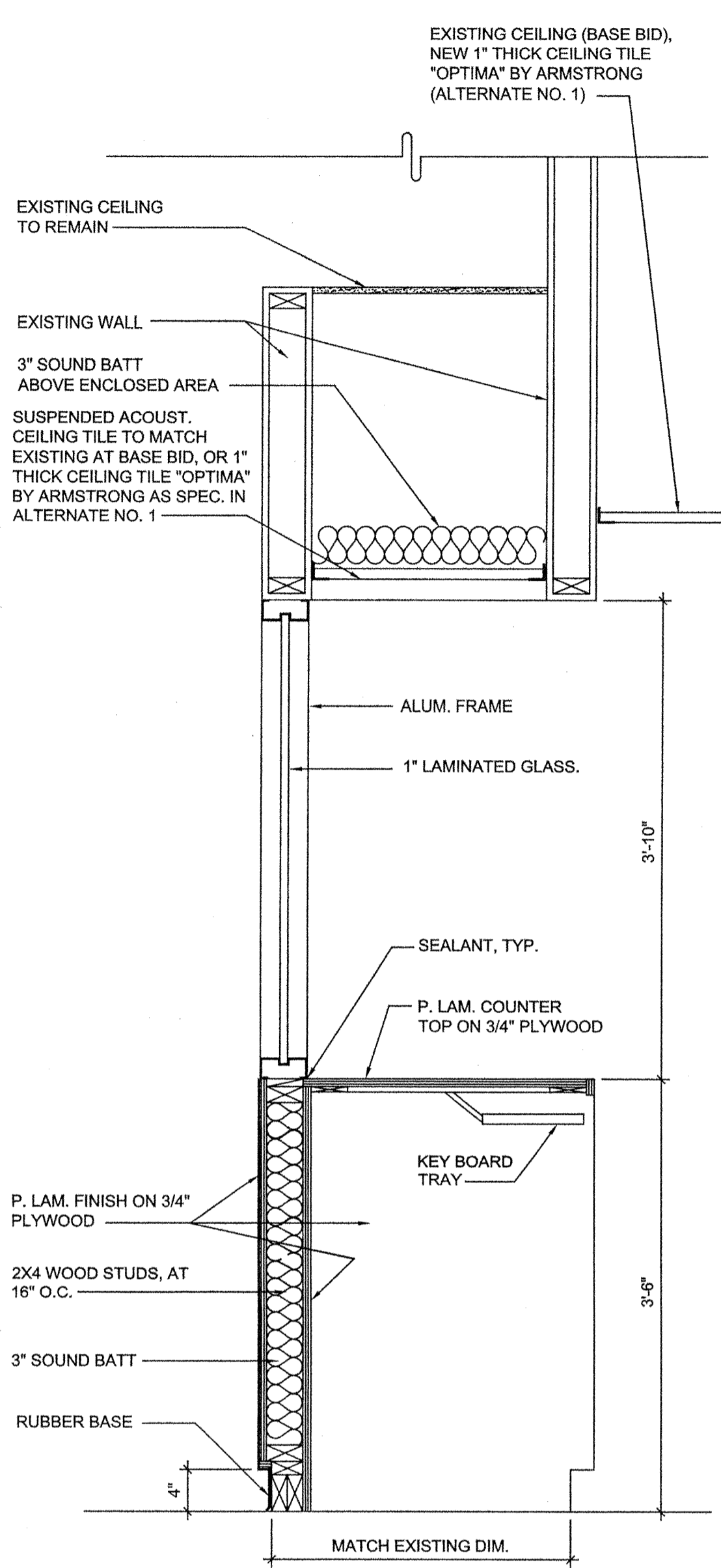
NOTES:
1. CABINET, COUNTERTOP AND SPLASH SHALL BE PLASTIC LAMINATE FINISH ON 3/4" PLYWOOD AT ALL EXPOSED SURFACES.
2. SHELF AND INTERIOR FACE SHALL BE WHITE MELAMINE ON 3/4" PLYWOOD.
3. HARDWARE AT NEW CABINETS SHALL MATCH THE EXISTING HARDWARE.
4. FURNISH A HEAVY DUTY LOCKS AT ALL DRAWERS AND CABINETS.
5. PLASTIC LAMINATE COLOR SELECTED:
COUNTERTOP & SPLASH: NEVAMAR CHARCOAL MATRIX MR6002T
CABINET FACE: NEVAMAR STORM GRAY MATRIX MR6004T
6. PROVIDE CAULKING AT BACK SPLASH TO WALL, TYPICAL.



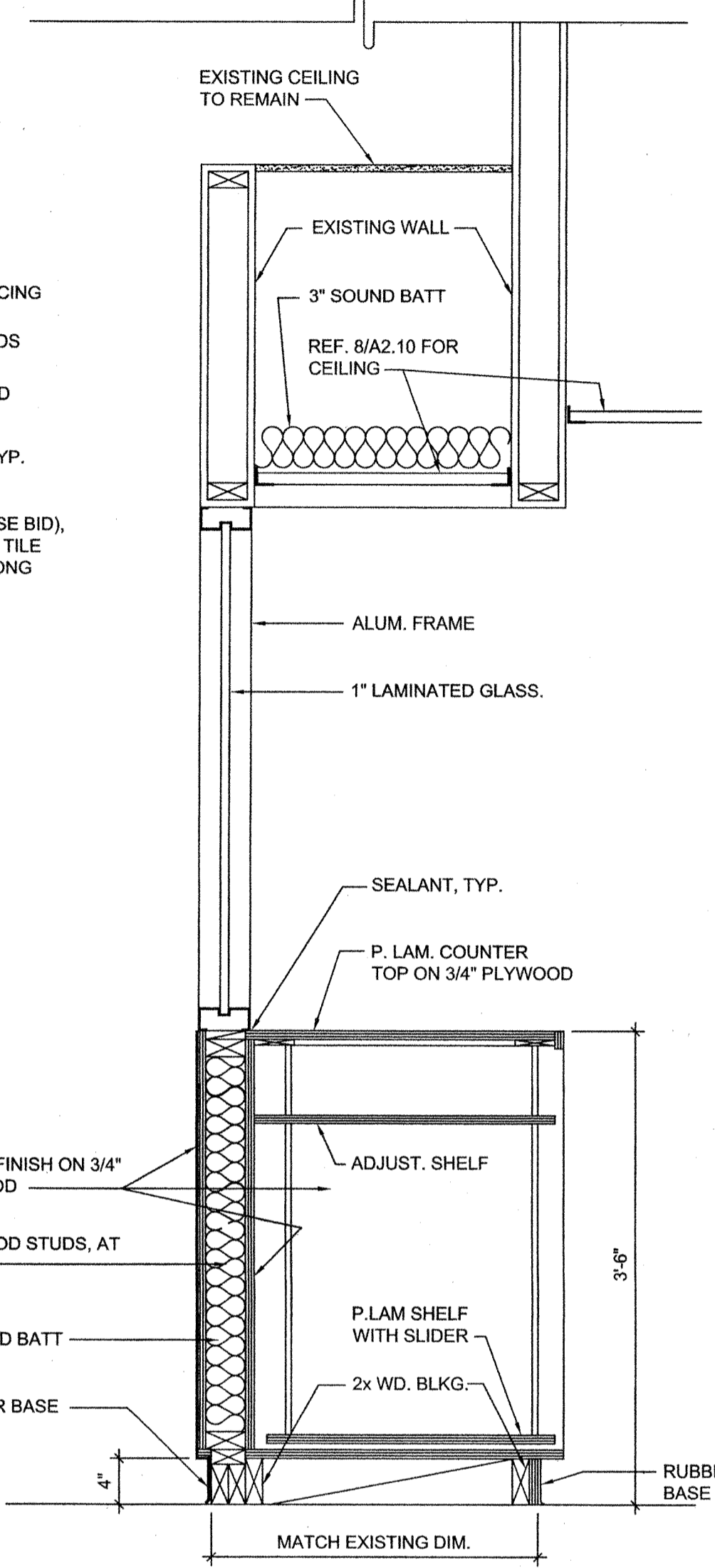
5 CAB. SECTION
SCALE: 1" = 1'-0"



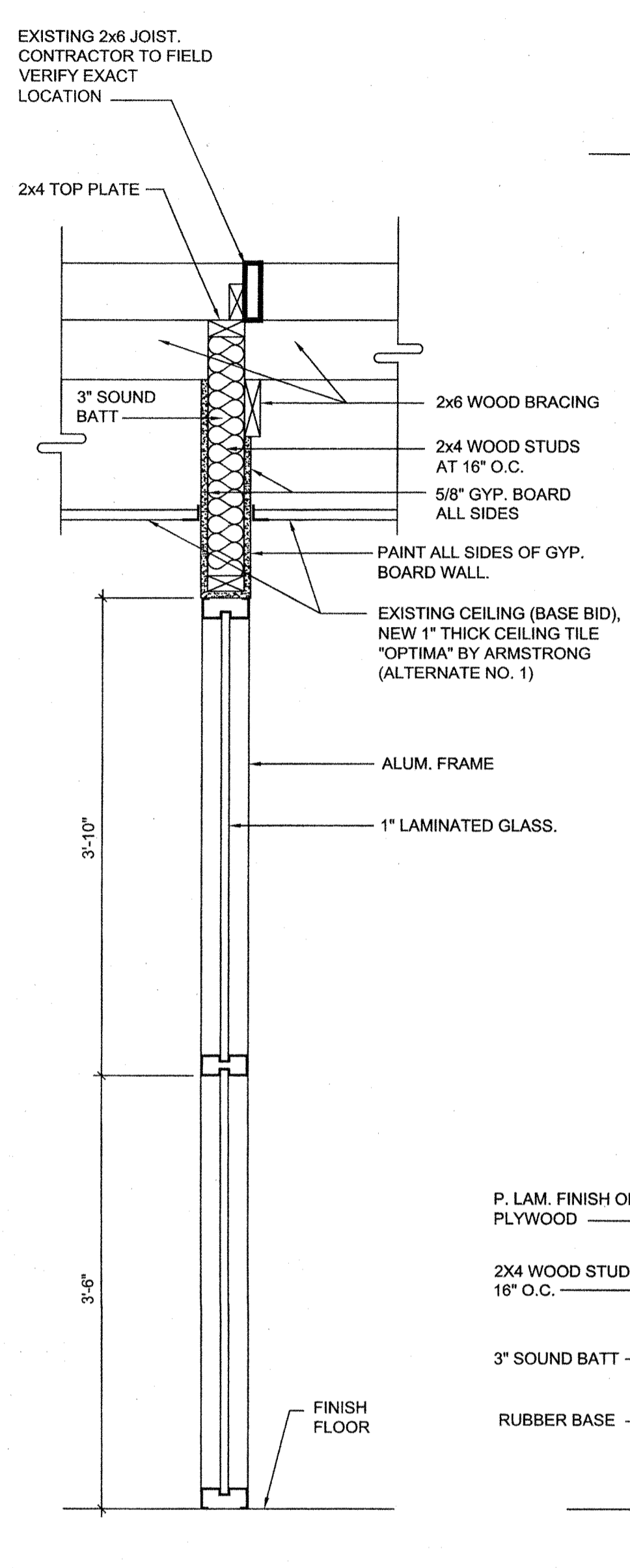
7 CAB. SECTION
SCALE: 1" = 1'-0"



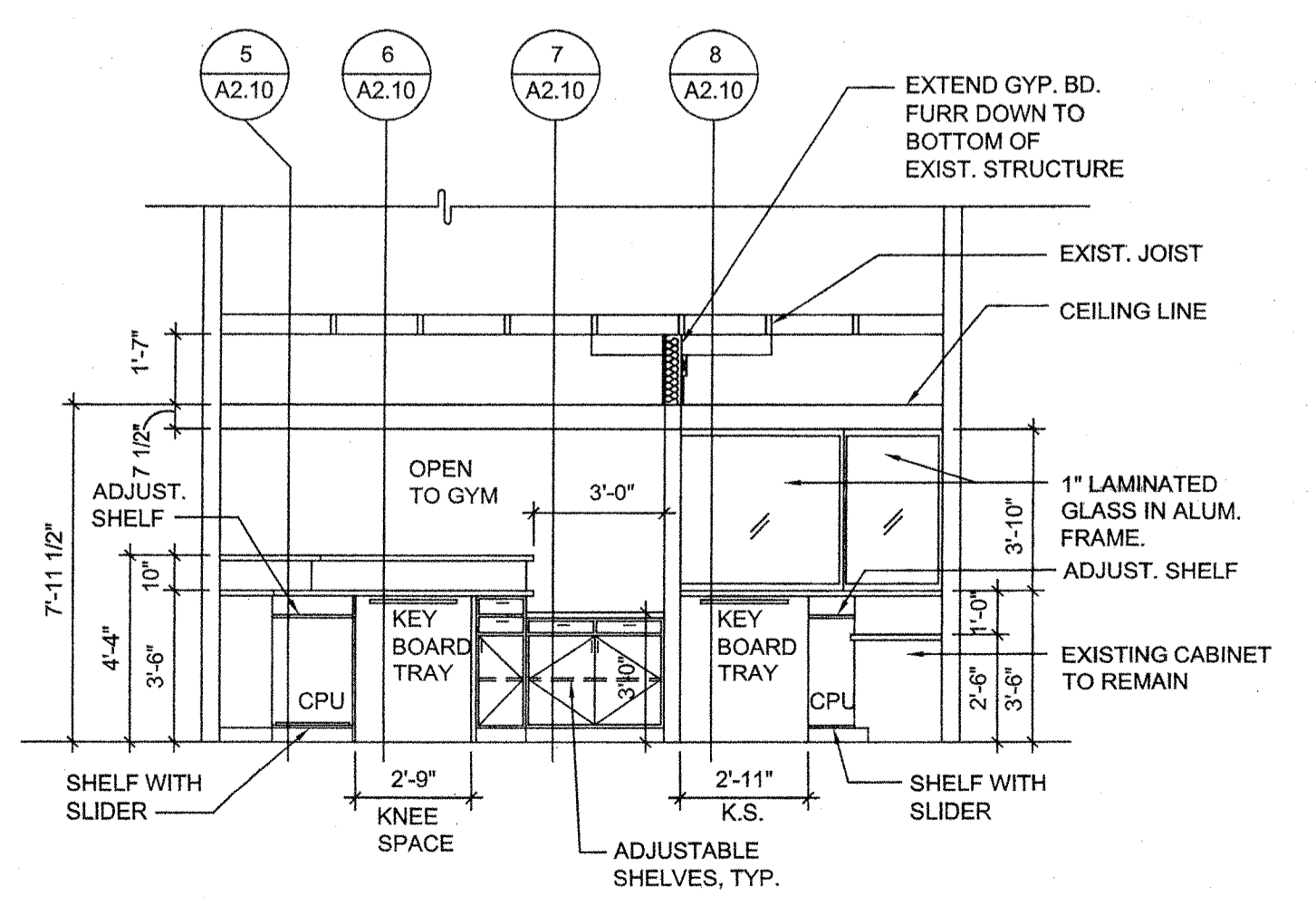
8 CAB. SECTION
SCALE: 1" = 1'-0"



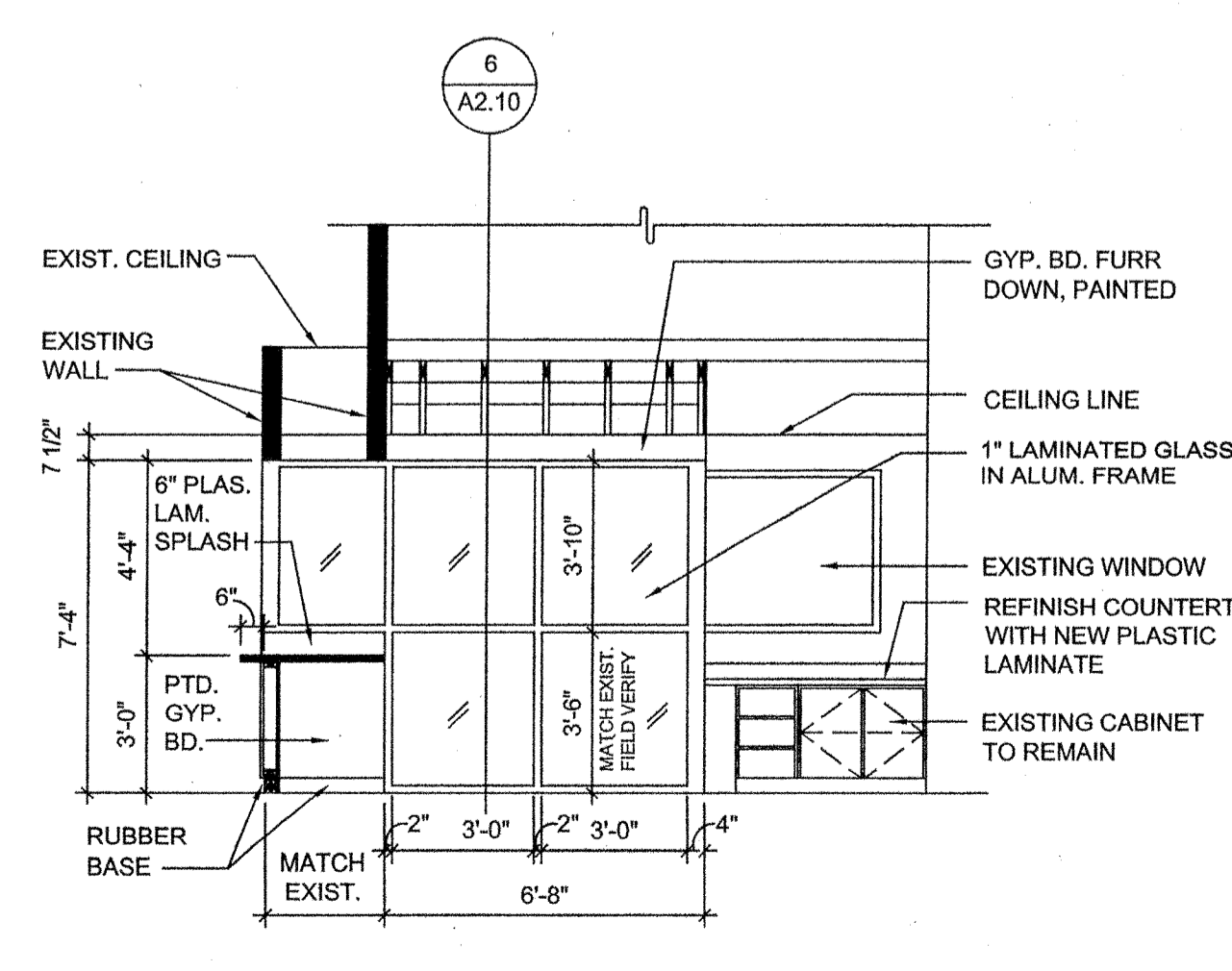
9 CAB. SECTION
SCALE: 1" = 1'-0"



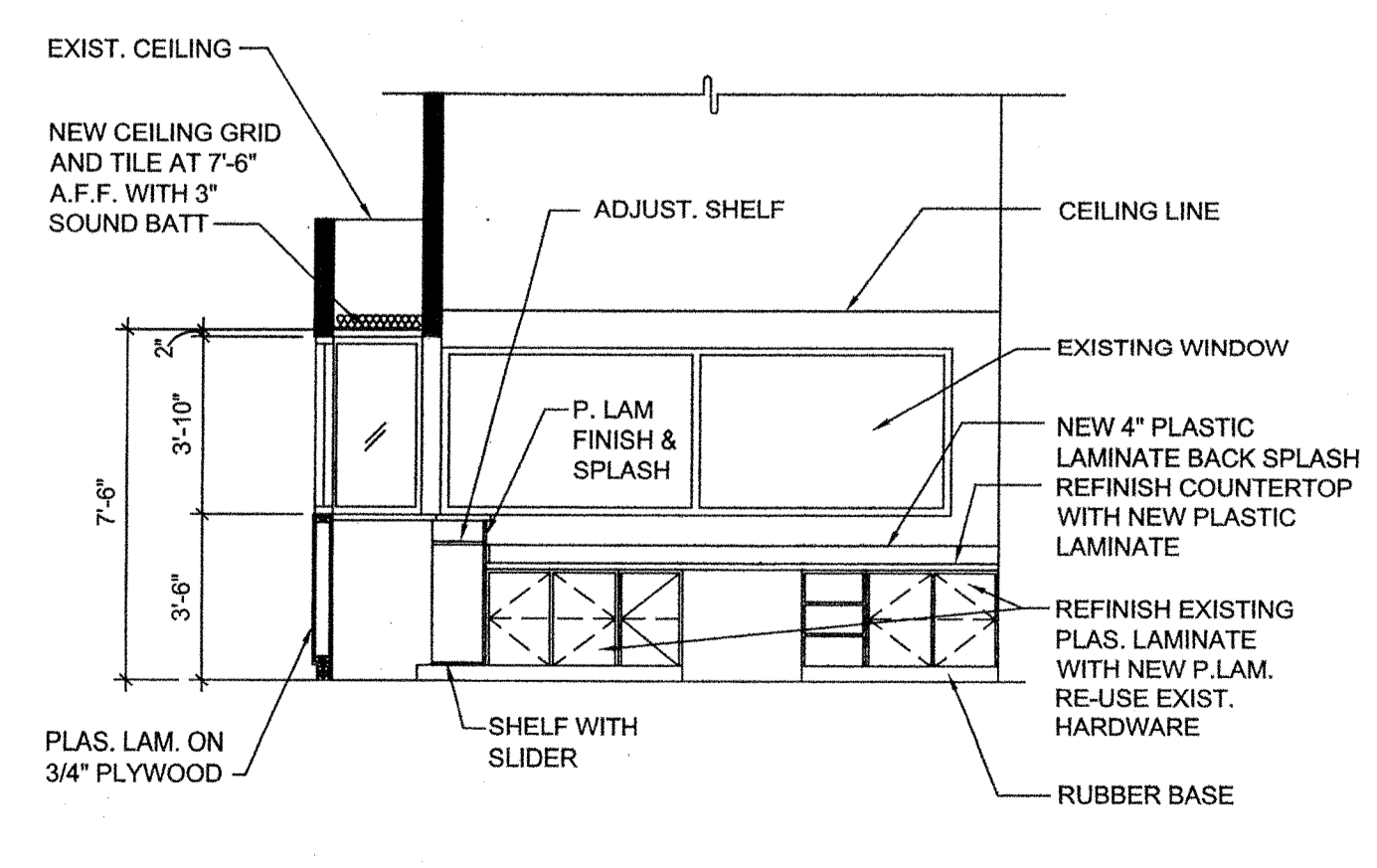
10 SECTION
SCALE: 1" = 1'-0"



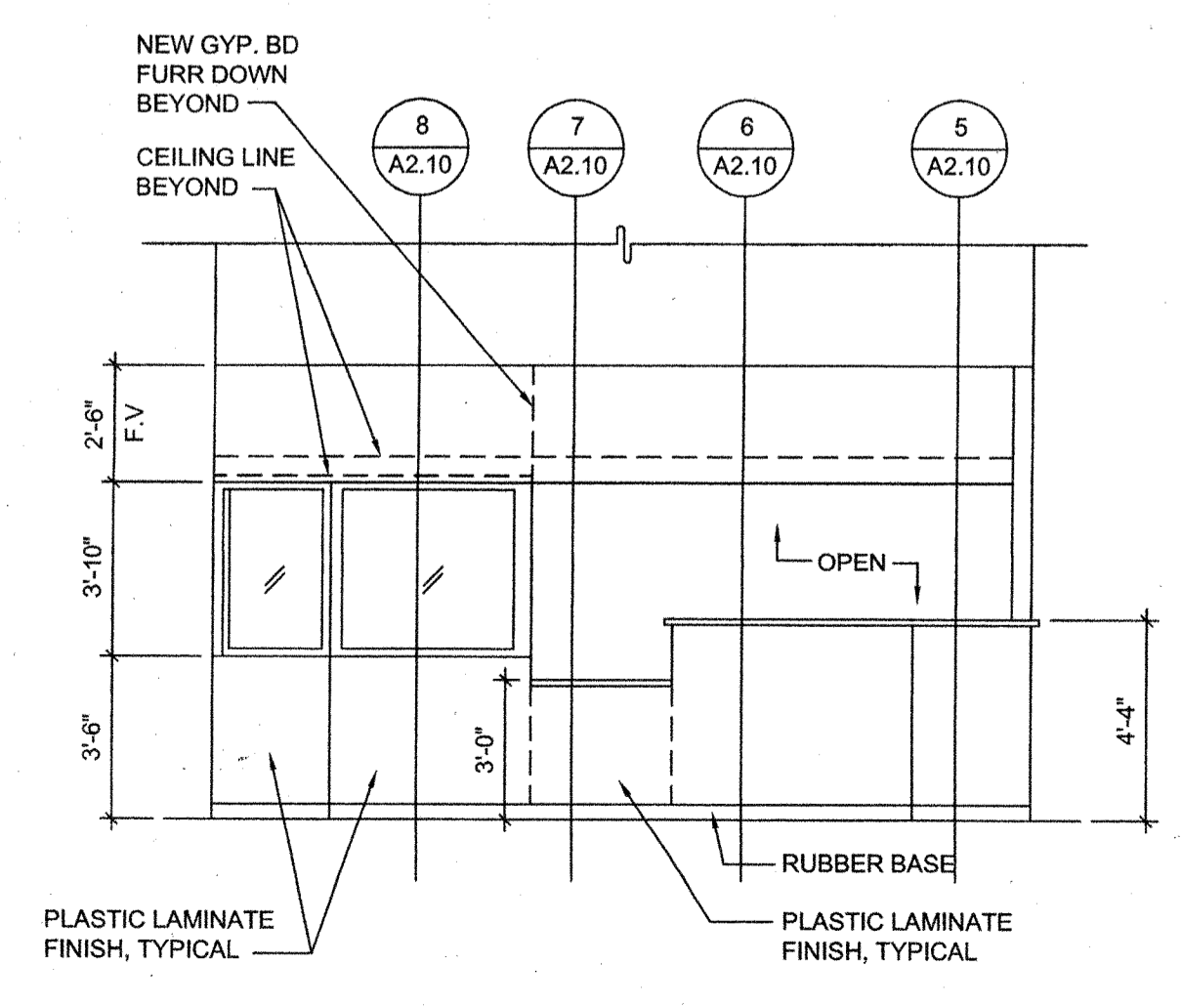
1 CAB. ELEV. - ATTENDANT
SCALE: 1/4" = 1'-0"



2 CAB. ELEV. - ATTENDANT
SCALE: 1/4" = 1'-0"



3 CAB. ELEV. - ATTENDANT
SCALE: 1/4" = 1'-0"



4 CAB. ELEV. - ATTENDANT
SCALE: 1/4" = 1'-0"