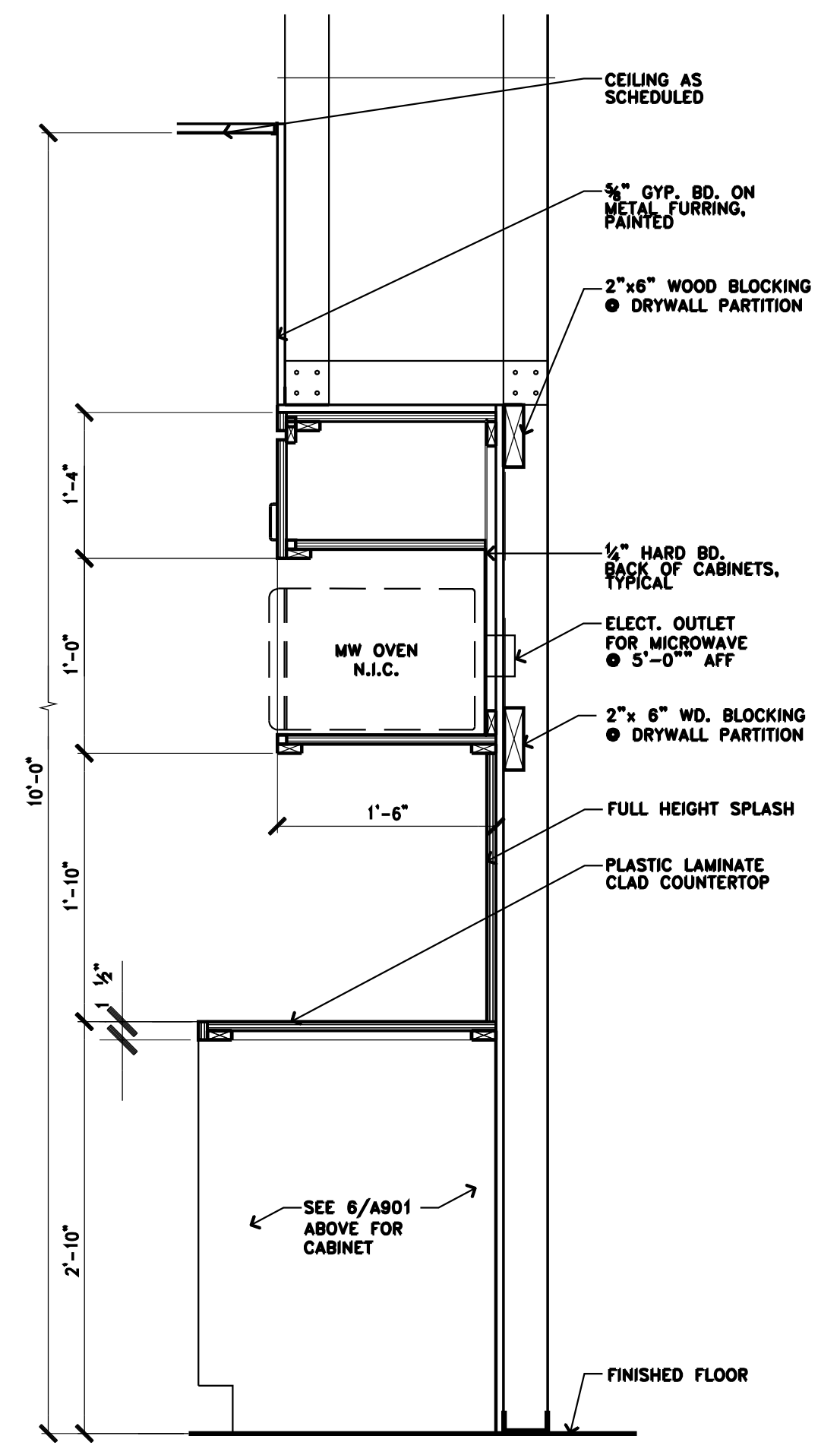


14

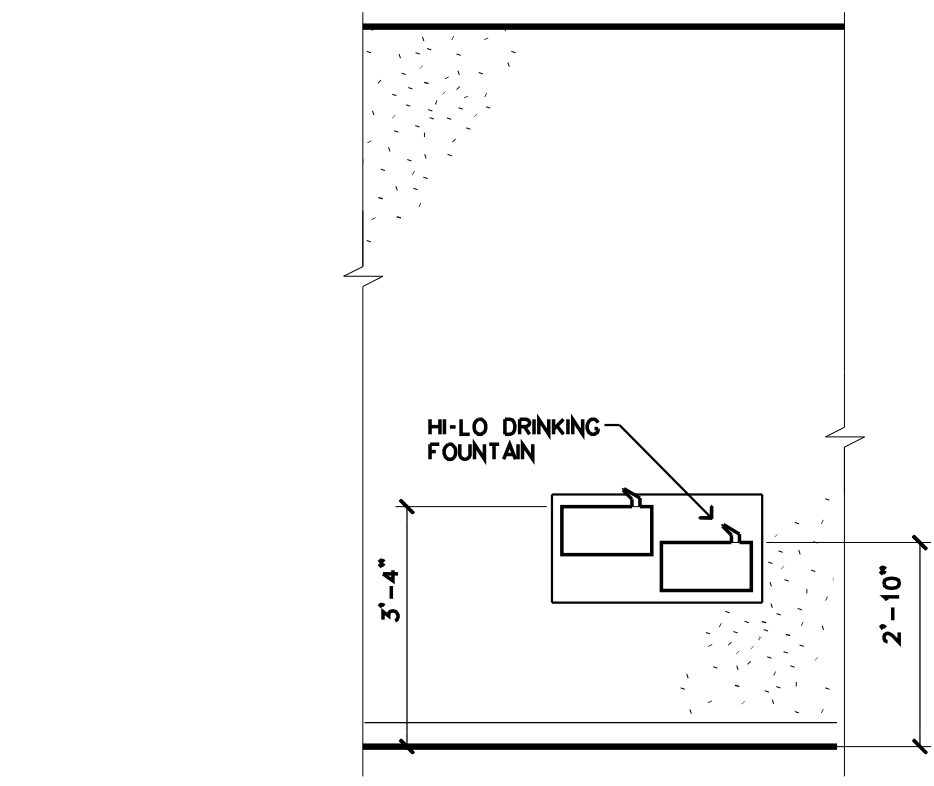
NOT USED

13

NOT USED



11 SECTION @ CABINETS
SCALE: 1"=1'-0"



8 DRINKING FOUNTAIN ELEVATION
SCALE: 3/8"=1'-0"

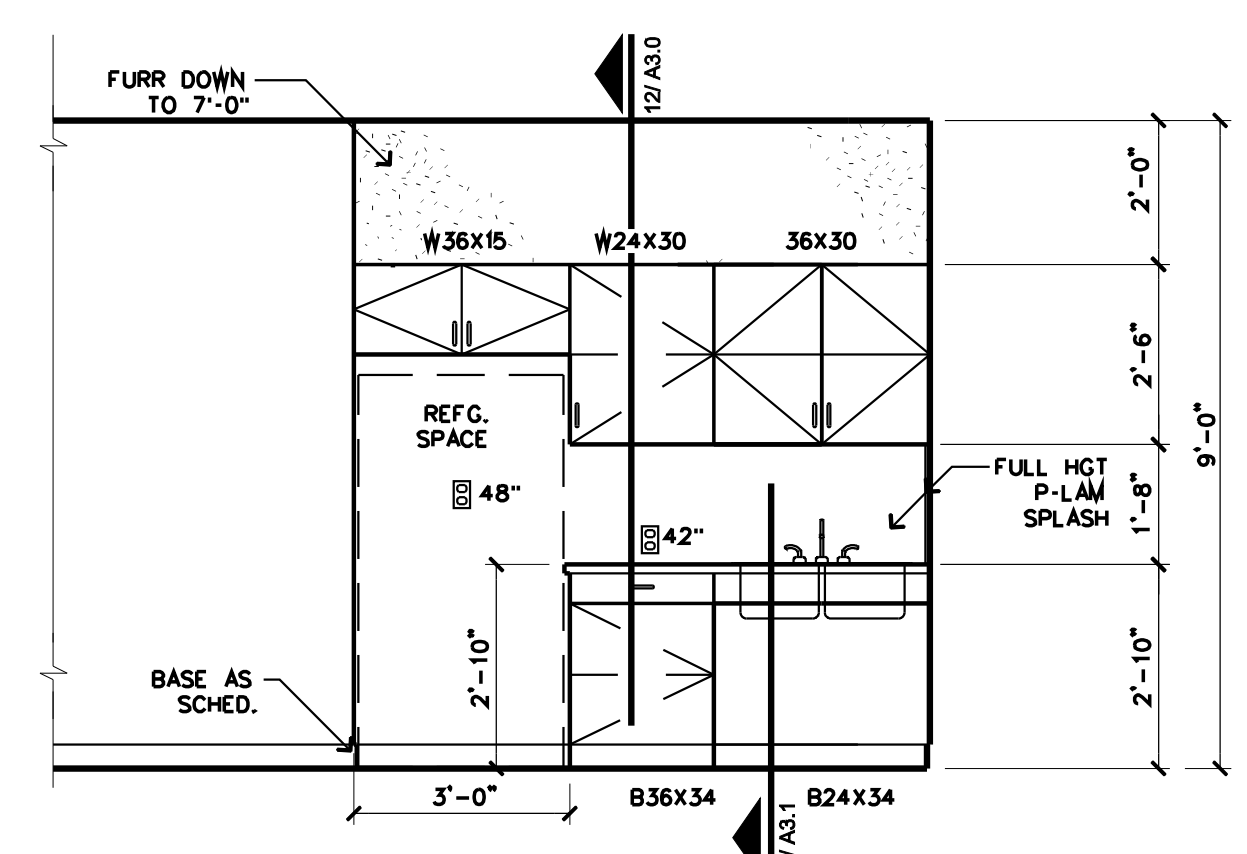
TOILET KEYNOTE SCHEDULE

- | | |
|------------------------------------|--------------------------------|
| 1 ACRYLIC SOLID SURFACE BACKSPASH | 6 HI-LOW ELECTRIC WATER COOLER |
| 2 ACRYLIC SOLID SURFACE COUNTERTOP | 7 CERAMIC WALL TILE AS SCHED. |
| 3 BASE AS SCHEDULED | 8 INSTANT HOT WATER HEATER |
| 4 LIGHT COVE | |
| 5 JANITOR'S UTILITY FLOOR SINK | |
- NOTE: PROVIDE WOOD BLKG SUPPORT IN DRYWALL AT ALL MILLWORK, AT ALL SHELVING IN CLOSETS, ALL ADJUSTABLE SHELVING, AND ALL RESTROOM ACCESSORIES MOUNTED TO DRYWALL

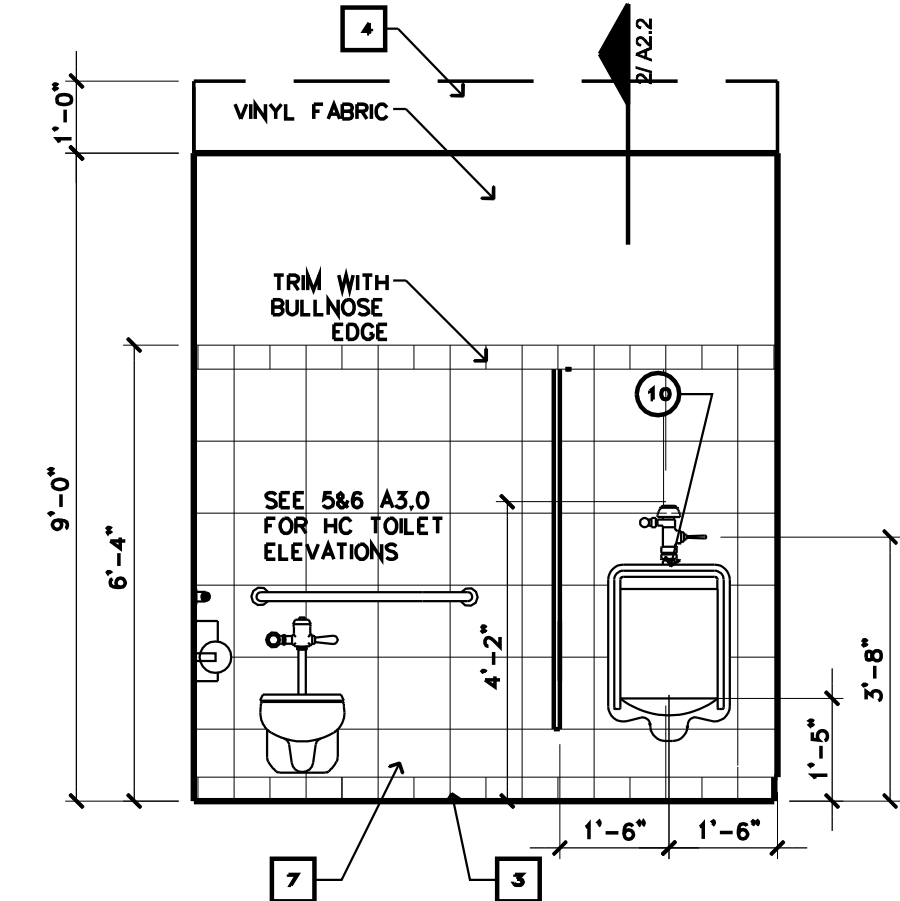
TOILET ACCESSORIES SCHEDULE

- | | | |
|--|--|--|
| 1 PAPER TOWEL DISPENSER AND WASTE RECEPTACLE MOUNT @ 50" TOP OF UNIT | 7 HANDICAP GRAB BARS MOUNT @ 34" TO CENTER | 14 ADA PIPE GUARD PROTECTOR |
| 2 FLOOR MOUNTED TOILET PART. | 8 ADA PORCELAIN ELECT. EYE FLUSH COMMODOE | 15 COAT HOOK W/ RUBBER BUMPER @ EACH TOILET STALL DOOR |
| 3 COUNTERTOP SOAP DISPENSER | 9 TOILET TISSUE DISPENSER | 16 ADA PORCELAIN LAVATORY W/ ELECT. EYE FAUCET SET |
| 4 FEMININE NAPKIN/TAMPON DISPENSER | 10 ADA COMPLIANT URINAL ELECT. EYE FLUSH | 17 WASTE RECEPTACLE - MOUNT @ 60" TO TOP |
| 5 WALL MTD LIQUID SOAP DISPENSER | 11 MIRROR W/ SS EDGE TRIM | 18 DISPOSABLE TOILET SEAT COVE DISPENSER, MOUNT @ 60" TO TOP |
| 6 FEMININE NAPKIN DISPOSAL DISPENSER | 12 PORCELAIN COMMODOE | 19 WALL HUNG URINAL SCREEN |
| | 13 32" TOILET PARTITION DOOR | |

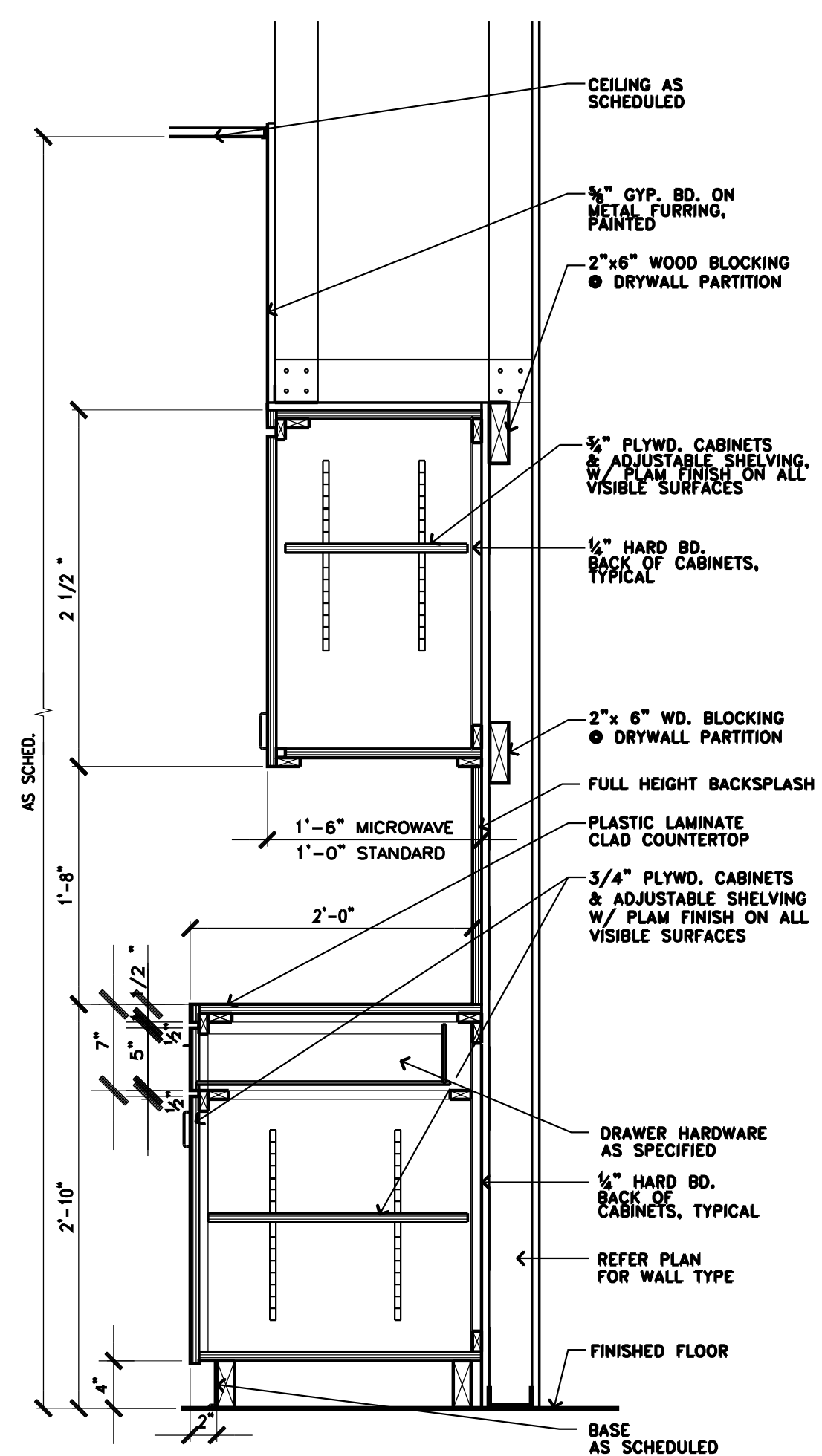
4



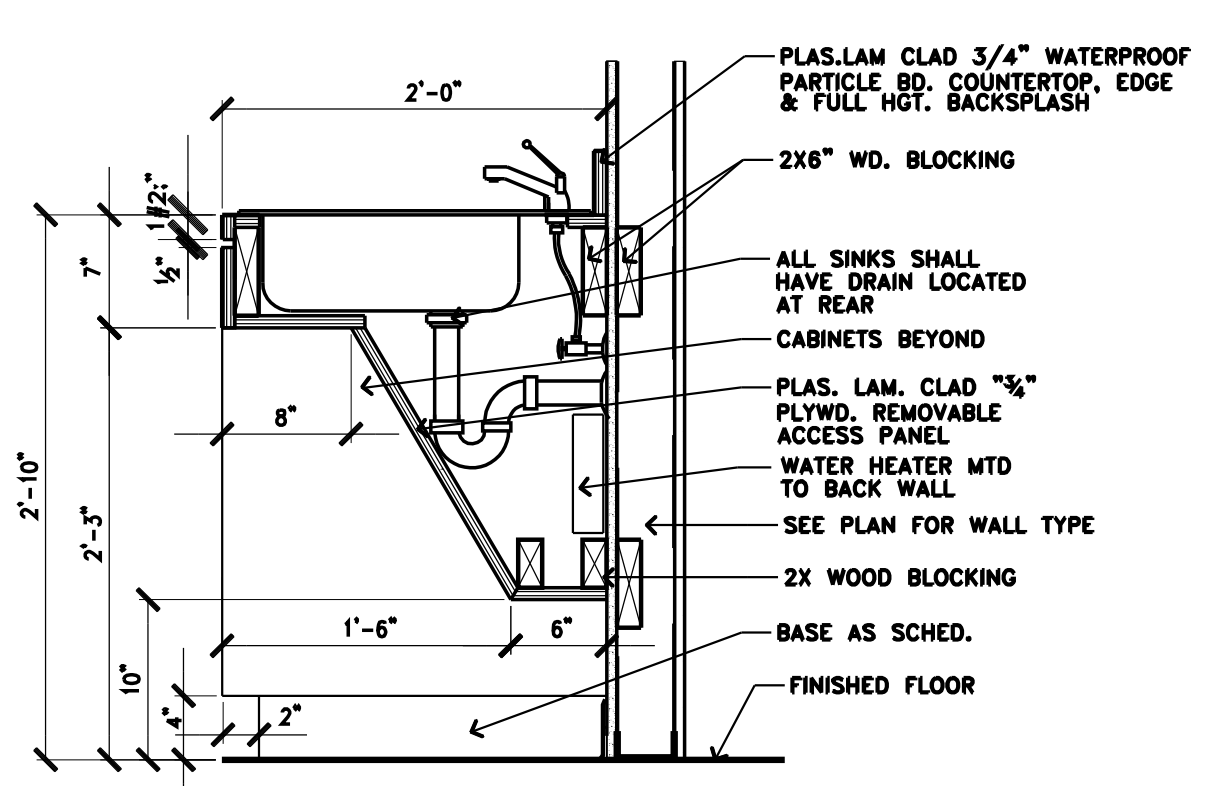
7 ELEVATION @ BREAK RM #109
SCALE: 3/8"=1'-0"



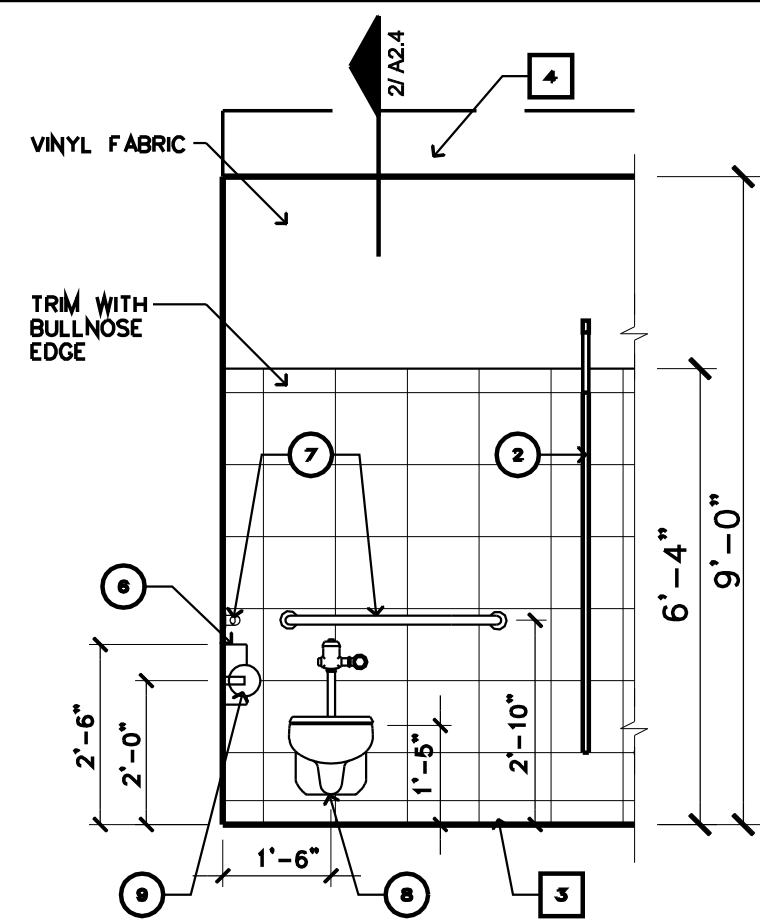
3 ELEVATION @ MEN #118
SCALE: 3/8"=1'-0"



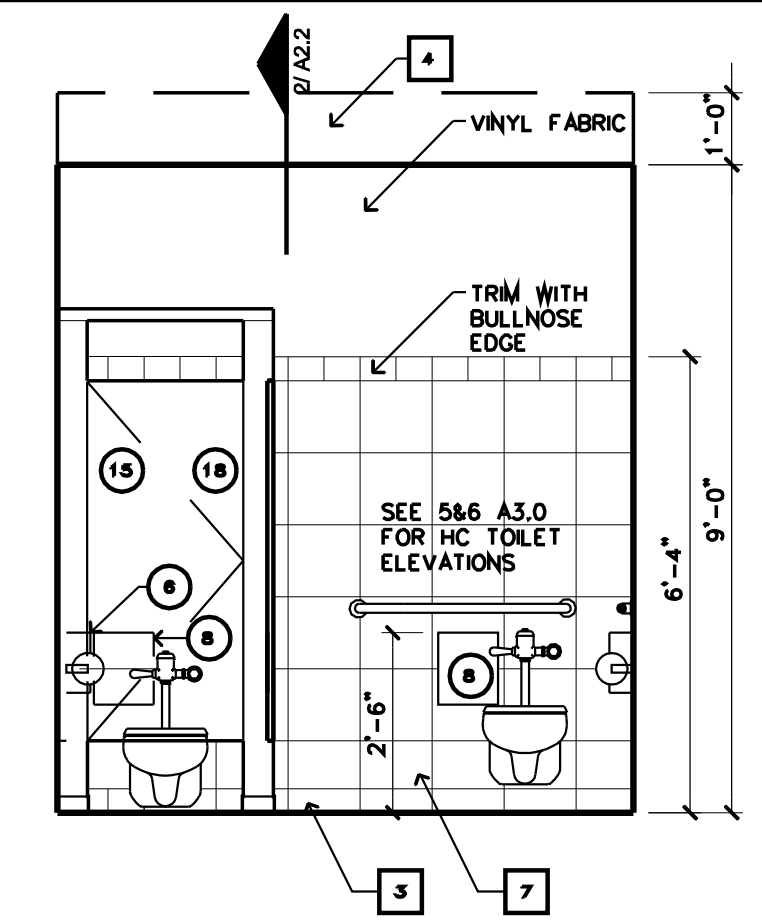
12 SECTION @ CABINETS
SCALE: 1"=1'-0"



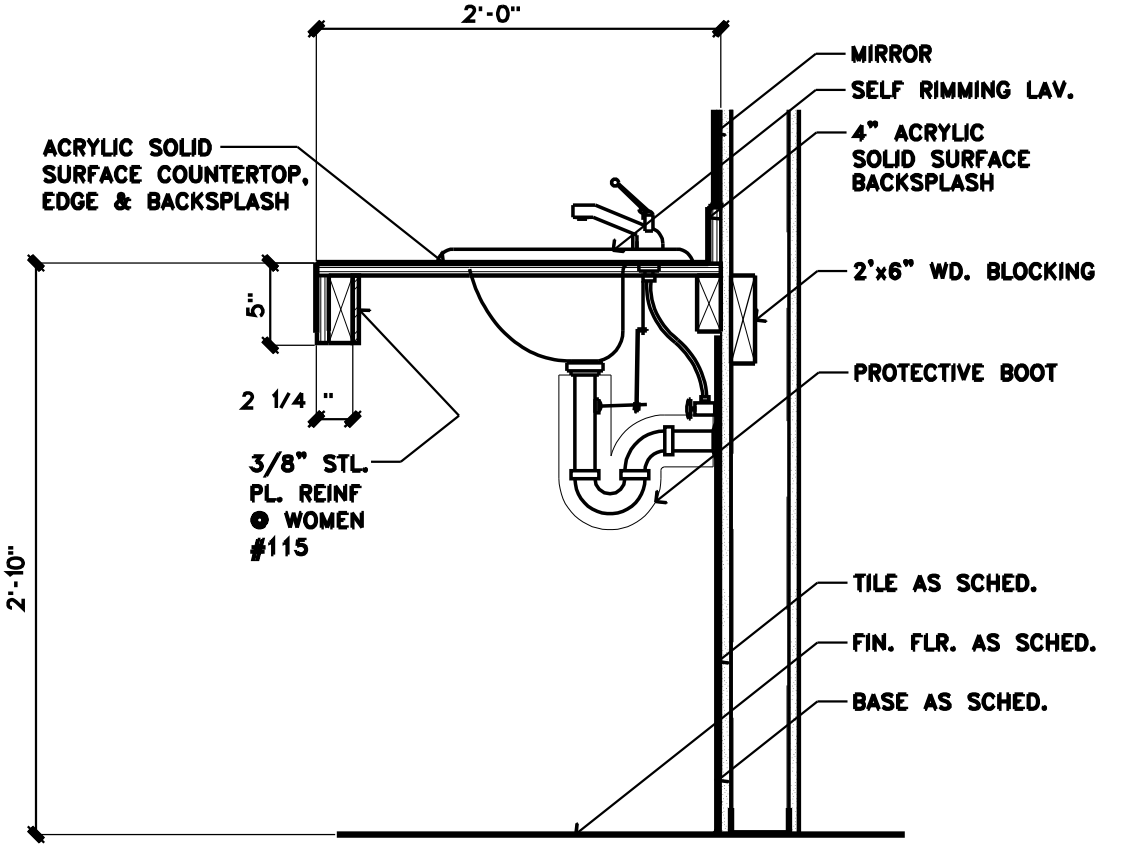
10 BASE CABINET @ KITCHEN SINK
SCALE: 1"=1'-0"



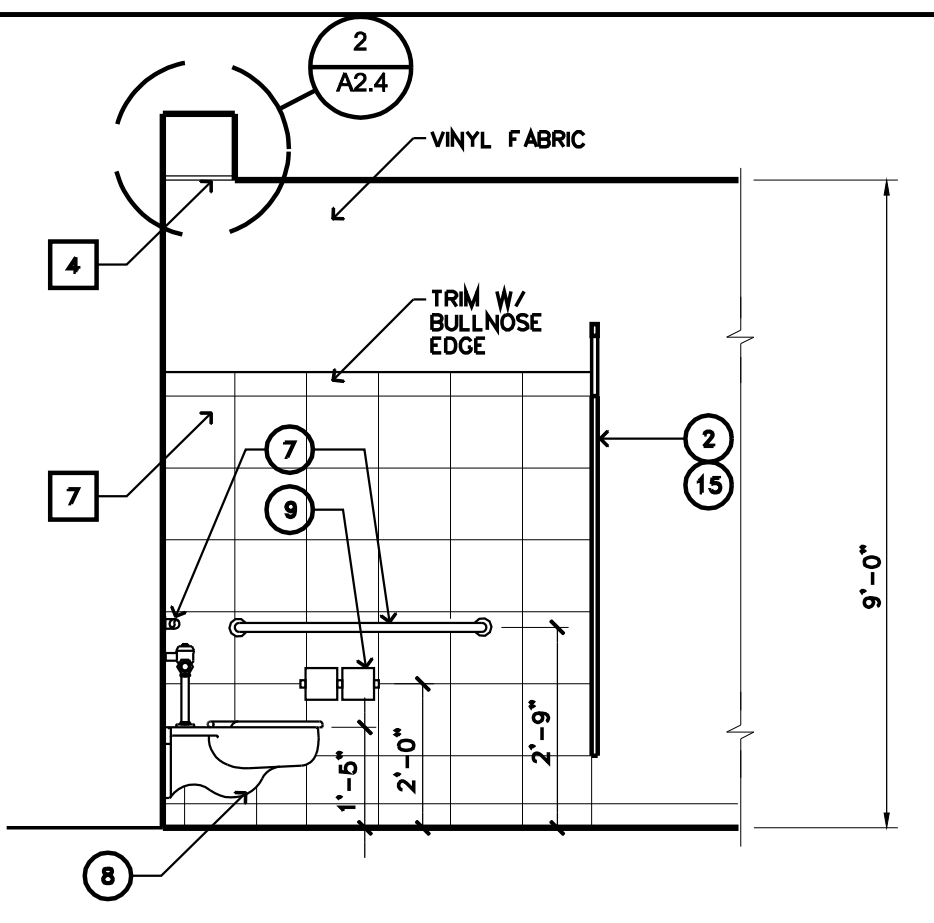
6 TOILET ELEVATION
SCALE: 3/8"=1'-0"



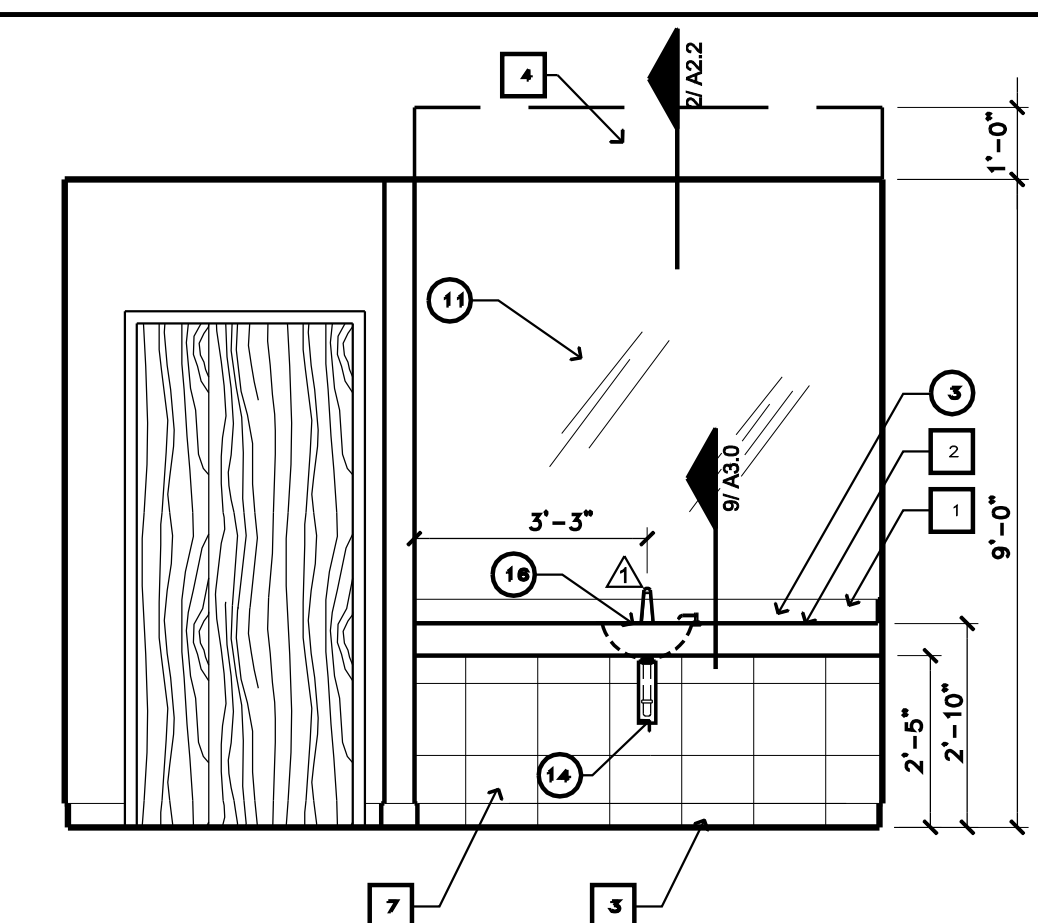
2 ELEVATION @ WOMEN #107
SCALE: 3/8"=1'-0"



9 COUNTER SECTION
SCALE: 1"=1'-0"



5 ELEVATION @ TYP. HC TOILET
SCALE: 3/8"=1'-0"

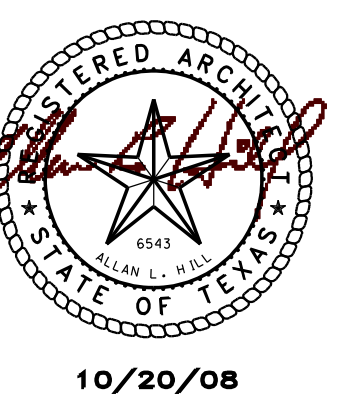


1 ELEVATION @ MEN #108 - WOMEN #107 O.H.
SCALE: 3/8"=1'-0"

FIRST INDUSTRIAL REALTY - TRUST

First Industrial Trust, Inc.
4505 Excel Pkwy, Ste 600
Addison, Texas 75001
(972) 419-5712 phone
(972) 386-4540 faxline
www.firstindustrial.com

REVISIONS	
NO.	DESCRIPTION



ALH architects, inc.
3911 CLEAR COVE
DALLAS, TX. 75244
(972) 620-8003

EABPRJ 9803975

2220 MERRITT DRIVE - SUITE 200
GARLAND, TEXAS 75041

PROJECT NO. 0820
DATE 10/20/08

A3.0

\$TIMES\$

\$DATES\$

\$FILES\$