

REVISIONS:

PANELBOARD HTS CALCULATION

DATE: 10/17/06
 DESIGNED BY: JES
 PH: 3 WIRE 4
 MOUNTING: SURFACE (NEMA 9B)
 PH NO: 0808100

REMARKS	POLES	CONNECTED LOAD	WIRE SIZES	WIRE SIZES	REMARKS
	A	B	C	D	
HTS LIGHTING	2	2	2	2	HTS LIGHTING
HTS MOTOR LOAD	1	1	1	1	HTS MOTOR LOAD
HTS SPACE HEATING	1	1	1	1	HTS SPACE HEATING
HTS SPACE COOLING	1	1	1	1	HTS SPACE COOLING
HTS OTHER	1	1	1	1	HTS OTHER
TOTALS	6	6	6	6	TOTALS

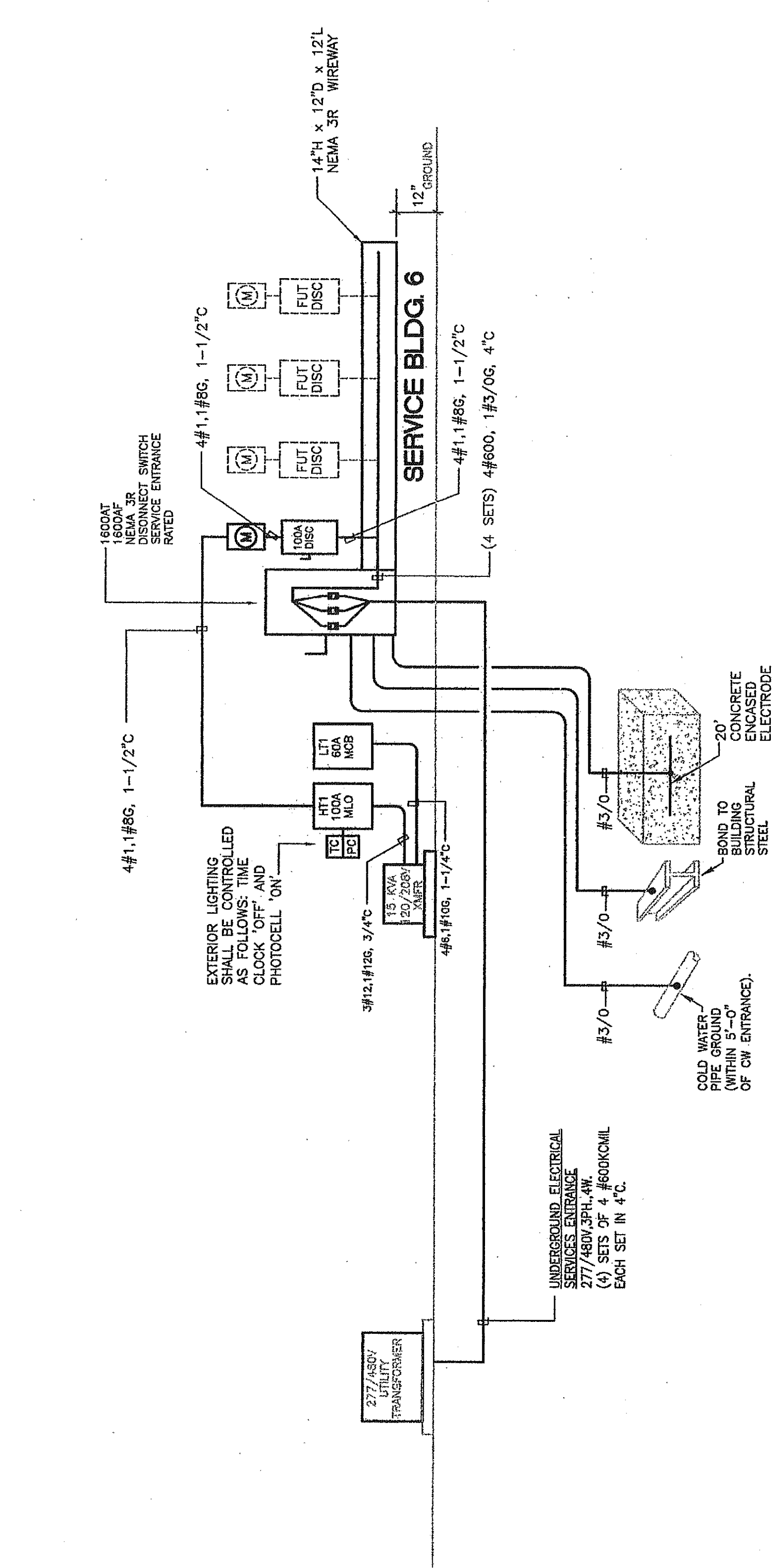
PANELBOARD LTS CALCULATION

DATE: 10/17/06
 DESIGNED BY: JES
 PH: 3 WIRE 4
 MOUNTING: SURFACE (NEMA 9B)
 PH NO: 0808100

REMARKS	POLES	CONNECTED LOAD	WIRE SIZES	WIRE SIZES	REMARKS
	A	B	C	D	
LTS LIGHTING	2	2	2	2	LTS LIGHTING
LTS MOTOR LOAD	1	1	1	1	LTS MOTOR LOAD
LTS SPACE HEATING	1	1	1	1	LTS SPACE HEATING
LTS SPACE COOLING	1	1	1	1	LTS SPACE COOLING
LTS OTHER	1	1	1	1	LTS OTHER
TOTALS	6	6	6	6	TOTALS

LIGHTING FIXTURE SCHEDULE

TYPE	DESCRIPTION	QTY	WATTAGE	REMARKS
F	RECESSED 8 INCH DIAMETER APERTURE... STEEL HOUSING... REFLECTOR, AND PROVIDED WITH THERMAL PROTECTION.	120	100W	120 WATTAGE INTERLOCKED TO ELECTRICAL PROGRAMMABLE THERMS
G	4 FOOT 2 LAMP FLUORESCENT... INDUSTRIAL WITH 10A ULTRAVIOLET... ASSEMBLY.	120	40W	120 WATTAGE INTERLOCKED TO ELECTRICAL PROGRAMMABLE THERMS
X	BATTERY PACK POWERED... WITH RED LED LAMP... MAINTENANCE FREE... NOTED ON DRAWINGS. BATTERY PACK SHALL PROVIDE 90 MINUTES OF LIGHT OUTPUT.	120	100W	120 WATTAGE INTERLOCKED TO ELECTRICAL PROGRAMMABLE THERMS



The Cascades at the Colony
 Available Fault Current Calculations Building for 'S'

UTILITY FAULT CURRENT = 27,100 AMPERES
 SERVICE VOLTAGE = 480V
 TRANSFORMER RATIO = 1:1
 TRANSFORMER RATIO = 1:1
 TRANSFORMER RATIO = 1:1

POINT TO POINT METHOD
 MAIN DISC SWITCH VISEWAY TO PANEL W/P

F FACTOR = 1.32
 MULTIPLES = 1.17
 FAULT CURRENT AT TERMINALS OF THE PANEL LINE-UNE = 24,422 AMPERES

POINT TO POINT METHOD
 PANEL W/P TRANSFORMER TO PANEL 'L'

F FACTOR = 1.32
 MULTIPLES = 1.17
 FAULT CURRENT AT TERMINALS OF THE PANEL LINE-UNE = 1,927 AMPERES

Purdy - McGuire
 Registration - Electrical Engineer
 4000 Sigma Road
 Dallas, Texas 75244
 Tel: 972-238-1033
 Fax: 972-238-2031
 www.purdy-mcguire.com



THIS DRAWING SHALL NOT BE REPRODUCED OR TRANSMITTED IN ANY FORM OR BY ANY MEANS, WITHOUT THE WRITTEN CONSENT OF PURDY-MCGUIRE, INC., DALLAS, TX.